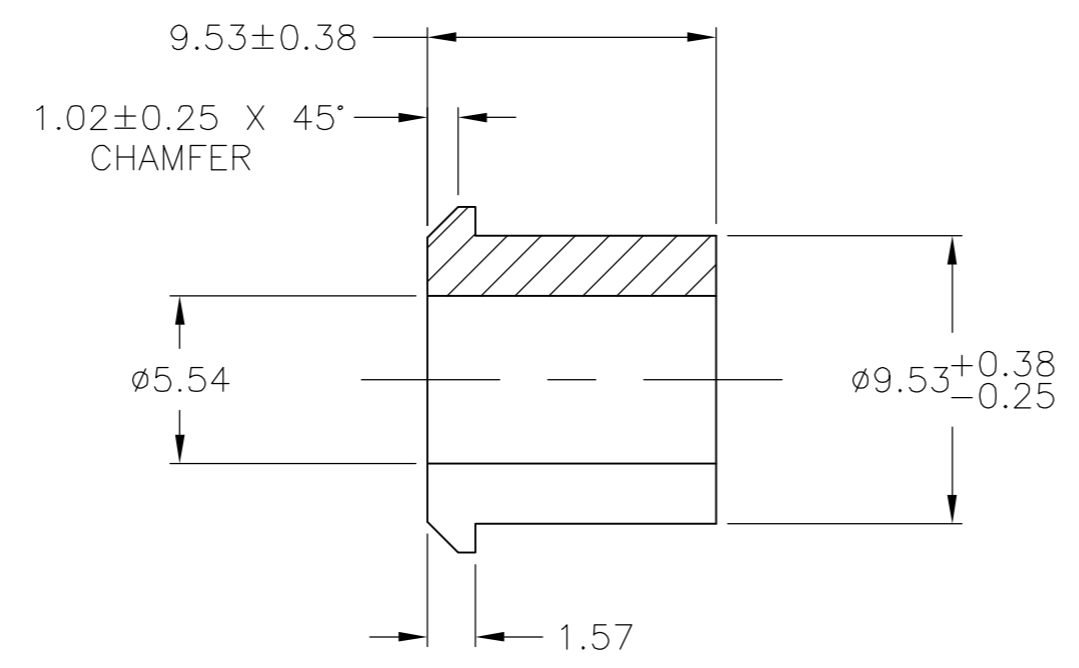
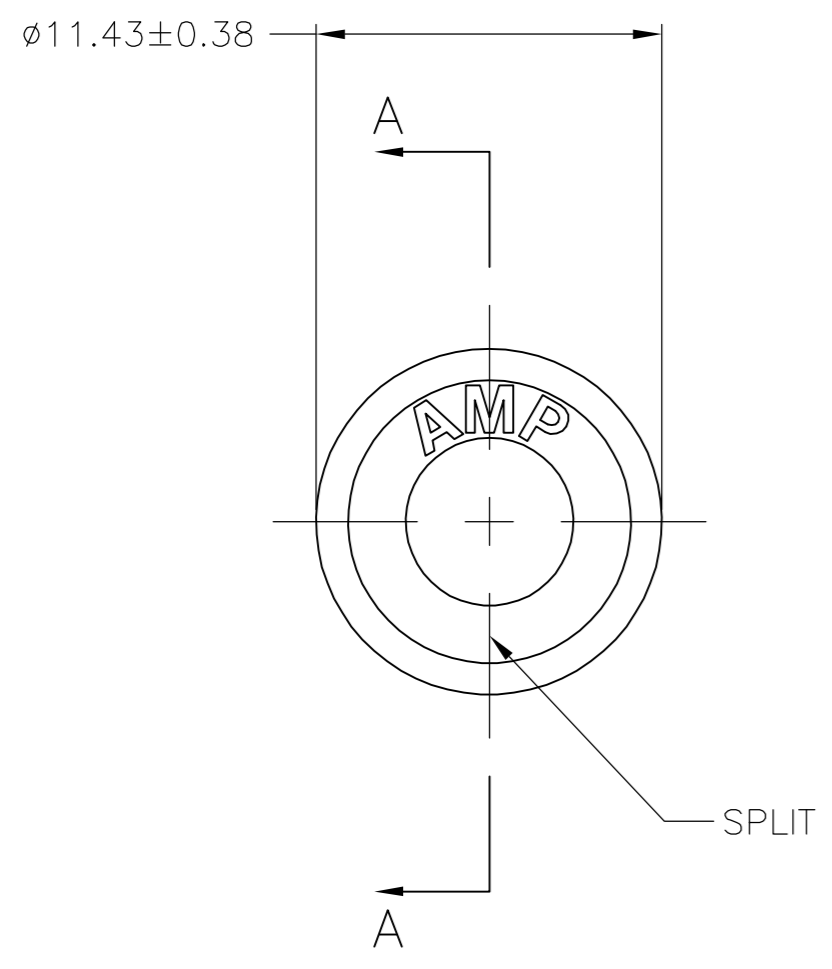


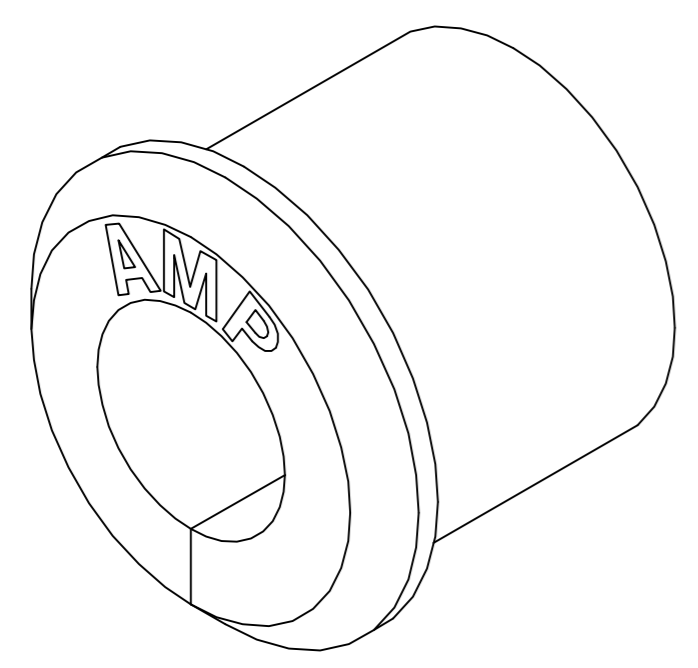
THIS DRAWING IS UNPUBLISHED. RELEASED FOR PUBLICATION
 © COPYRIGHT BY TYCO ELECTRONICS CORPORATION. ALL RIGHTS RESERVED.

LOC		DIST		REVISIONS			
P	LTR	DESCRIPTION	DATE	DWN	APVD		
G		ECO-06-012706	08JUN06	BSV	JR		

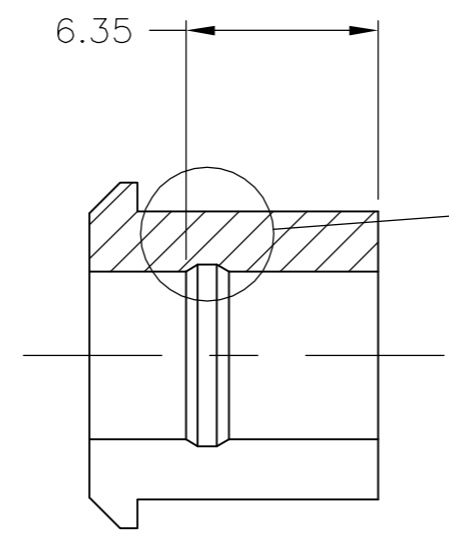


SECTION A-A

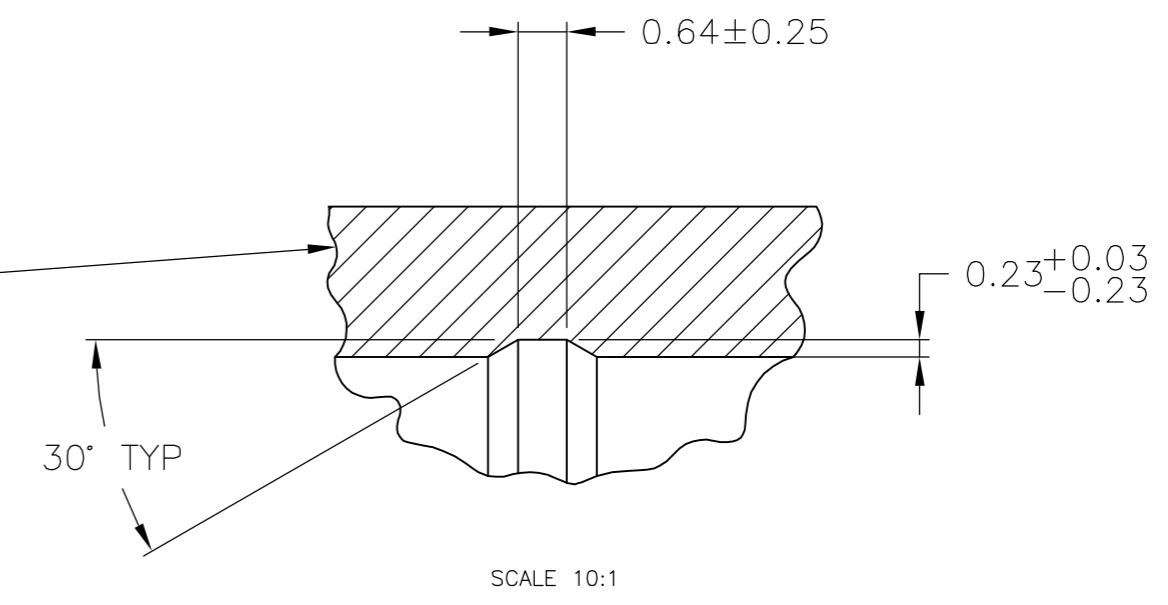
- 1. USE WITH STRAIN RELIEF 350373.
- 2. MOLDING COMPOUND PVC,FLEXIBLE, 55/75 DUROMETER (B SCALE),BLACK.
- 3. MOLDING COMPOUND PVC,FLEXIBLE,BLACK.



3-DIMENSIONAL MODEL NTS



SECTION A-A
OPTIONAL CONSTRUCTION



SCALE 10:1

MM	IN	MM	IN	MM	IN
0.25	.010	1.57	.062	11.43	.450
0.23	.009	1.02	.040	9.53	.375
0.13	.005	0.64	.025	6.35	.250
0.03	.001	0.38	.015	5.54	.218

CONVERSION TABLE

METRIC

SUPERCEDED BY 2-350376-0	3	2-350376-0
	2	1-350376-0
	MATERIAL	PART NUMBER

THIS DRAWING IS A CONTROLLED DOCUMENT.		DWN K. WHITAKER 24MAR06	Tyco Electronics Corporation Harrisburg, Pa 17105-3608	
DIMENSIONS: mm		CHK C. JONES 24MAR06		
TOLERANCES UNLESS OTHERWISE SPECIFIED:		APVD C. JONES 24MAR06	NAME GROMMET,SPLIT,M.R.	
0 PLC ± - 1 PLC ± - 2 PLC ± - 3 PLC ± 0.13 4 PLC ± - ANGLES ± 1'0"		PRODUCT SPEC -	RESTRICTED TO -	
MATERIAL SEE TABLE		APPLICATION SPEC -	SIZE A2	CAGE CODE 00779
FINISH -		WEIGHT -	DRAWING NO C=350376	
		CUSTOMER DRAWING	SCALE 4:1	SHEET 1 OF 1

单击下面可查看定价，库存，交付和生命周期等信息

[>>TE Connectivity\(泰科\)](#)