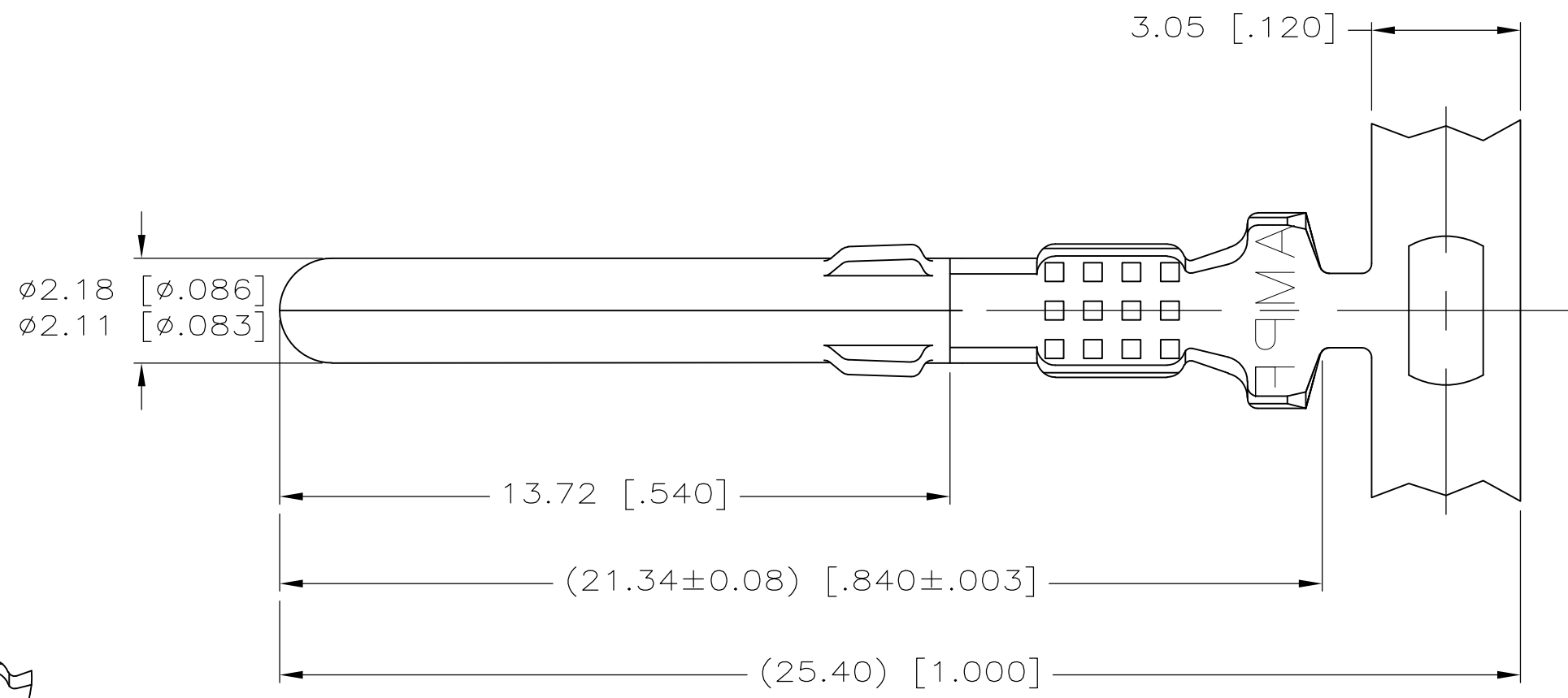
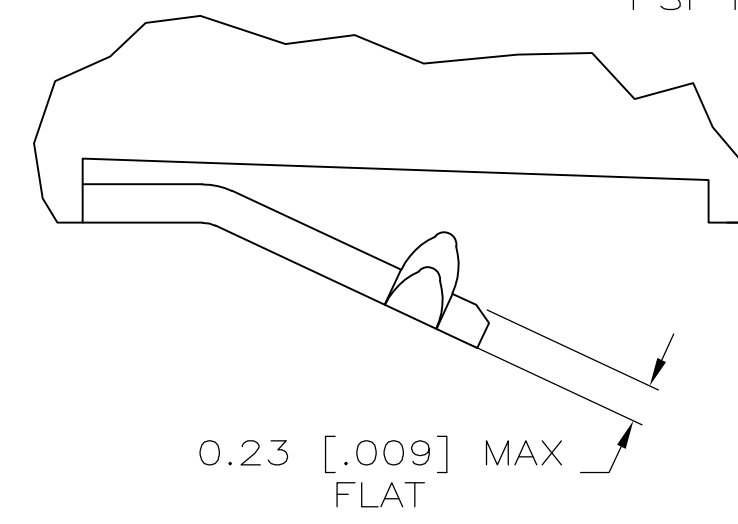


THIS DRAWING IS UNPUBLISHED. RELEASED FOR PUBLICATION
 © COPYRIGHT - By - ALL RIGHTS RESERVED.

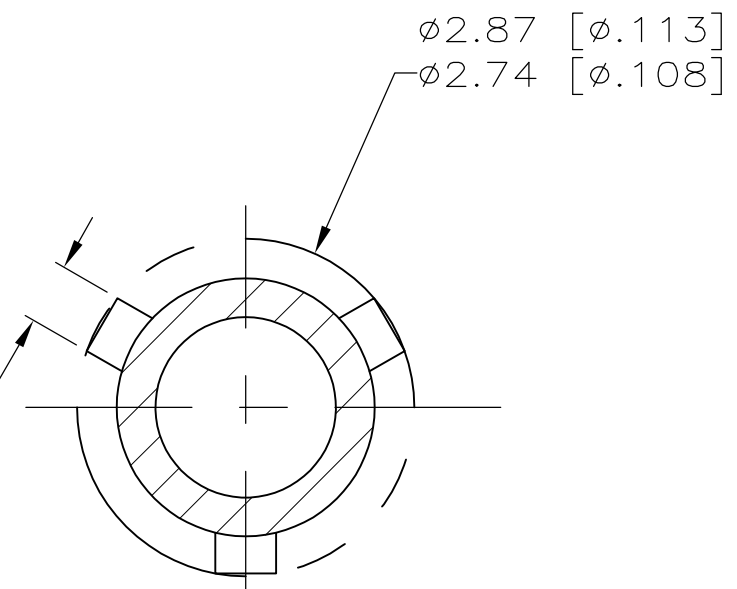
| LOC | | DIST | | REVISIONS | | | |
|-----|-----|-------------|---------------------------|-----------|----------|------|----|
| P | LTR | DESCRIPTION | | DATE | DWN | APVD | |
| CM | 00 | G1 | REVISED PER ECO-14-007437 | | 12JUNE14 | GK | KD |



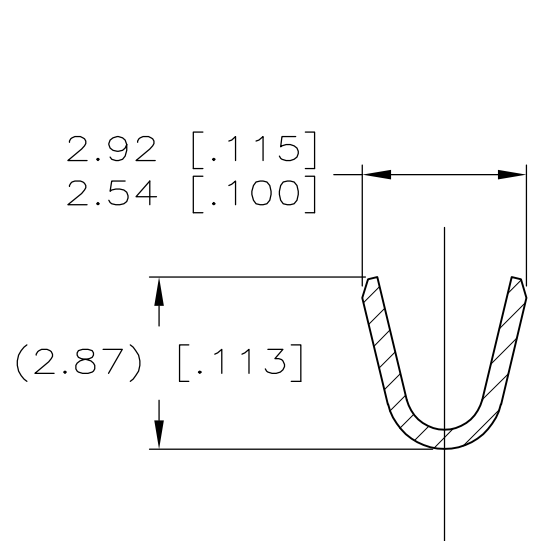
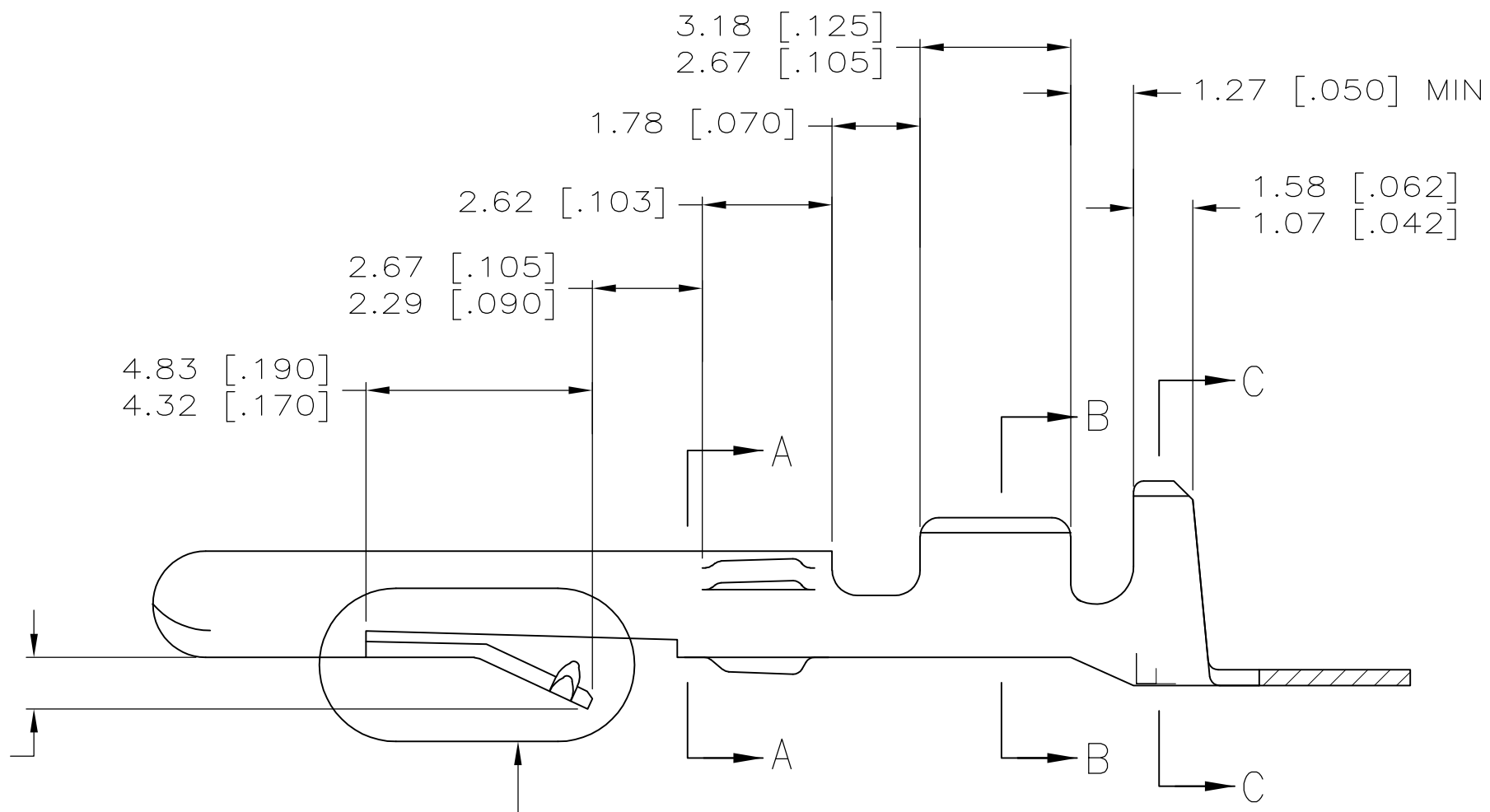
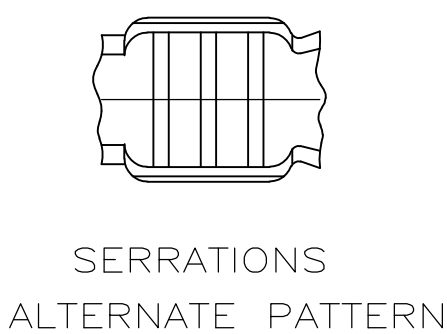
1. REVERSE REEL OF 61271-1 FOR MINI-APPLICATOR.
2. TERMINATE PER AMP SPECIFICATION 115-8000.
3. WIRE RANGE: 22-18 GA. (0.3-0.9mm²)
4. INSULATION DIAMETER 2.67 [.105] MAX.
- 5 MATERIAL: 0.31 [.012] BRASS 80-95000 PSI TENSILE STRENGTH.



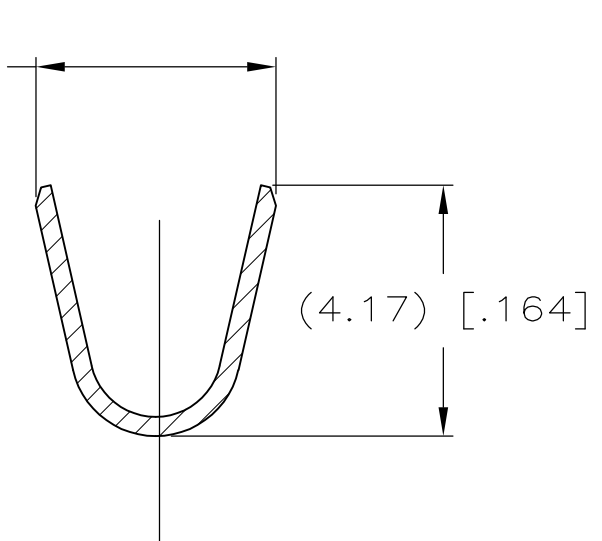
DETAIL A
SCALE 20:1



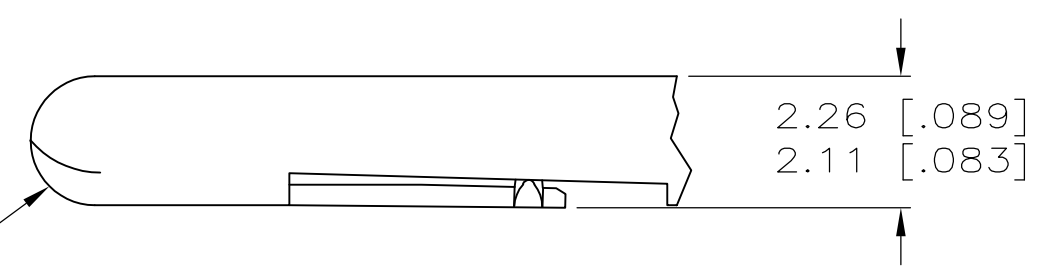
SECTION A-A
SCALE 16:1



SECTION B-B



SECTION C-C



NOSE IS CLOSED WITH 0.51 [.020] MAX FLAT.
 0.25 [.010] MAX HORIZONTAL TAB PERMITTED.
 0.25 [.010] DIA PIN DOES NOT ENTER.



OBSOLETE 61296-1
PART NO.

| | | | |
|--|---------------------|---------------------------|--|
| THIS DRAWING IS A CONTROLLED DOCUMENT. | | DWN S. HOOVER 08-JAN-2004 | TE Connectivity |
| DIMENSIONS: mm [INCHES] | | CHK D. COLEY 08-JAN-2004 | |
| TOLERANCES UNLESS OTHERWISE SPECIFIED: | | APVD D. COLEY 08-JAN-2004 | NAME |
| 0 PLC ± | 1 PLC ± | PRODUCT SPEC | PIN, 2.18 [.086] DIA AUTOMOTIVE MATE-N-LOK™ |
| 2 PLC ± | 3 PLC ± 0.13 [.005] | APPLICATION SPEC | SIZE CAGE CODE DRAWING NO |
| 4 PLC ± | ANGLES ± | WEIGHT | A2 00779 C-61296 |
| MATERIAL 5 | FINISH PRE-TIN | CUSTOMER DRAWING | RESTRICTED TO |
| | | SCALE 8:1 | SHEET 1 OF 1 |
| | | REV G1 | |

单击下面可查看定价，库存，交付和生命周期等信息

[>>TE Connectivity\(泰科\)](#)