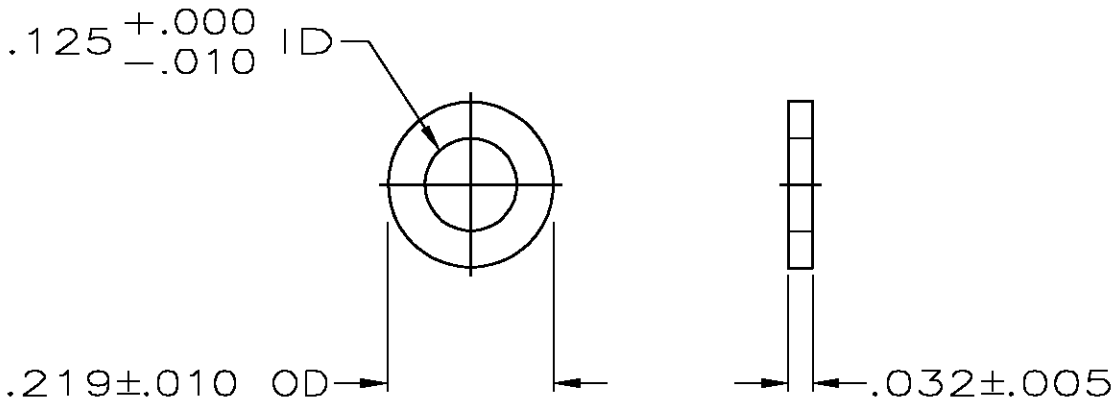


LOC	DIST	REVISIONS					
GP	00	P	LTR	DESCRIPTION	DATE	DWN	APVD
		0		RELEASED PER EC 0S13-0207-05	21JUN05	RR	JG



- ① ZINC PLATED .000200-.000400 THICK, YELLOW CHROMATE COATING.
- ② ZINC PLATED .000200-.000400 CLEAR, CHROMATE COATING.

②	5205820-3
①	5205820-2
FINISH	PART NO

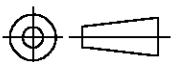
THIS DRAWING IS UNPUBLISHED.

ALL RIGHTS RESERVED.

BY TYCO ELECTRONICS CORPORATION.

© COPYRIGHT

DIMENSIONS: INCHES	DWN	R.RICHARDSON	21JUN05	MATERIAL	COLD ROLLED STL	FINISH	SEE TABLE	
	CHK	C.ROHDE	21JUN05	Tyco Electronics Corporation Harrisburg, Pa 17105-3608				
TOLERANCES- UNLESS OTHERWISE SPECIFIED:	APVD	M.WALMSLEY	21JUN05					NAME
0 PLC ± -	PRODUCT SPEC	-			SIZE	CAGE CODE	DRAWING NO	RESTRICTED TO
1 PLC ± -	APPLICATION SPEC	-			A4	00779	②-5205820	-
2 PLC ± -	WEIGHT	-			CUSTOMER DRAWING			
3 PLC ± -					SCALE	4:1	SHEET	1 OF 1
4 PLC ± -							REV	0
ANGLES ± -								



单击下面可查看定价，库存，交付和生命周期等信息

[>>TE Connectivity\(泰科\)](#)