

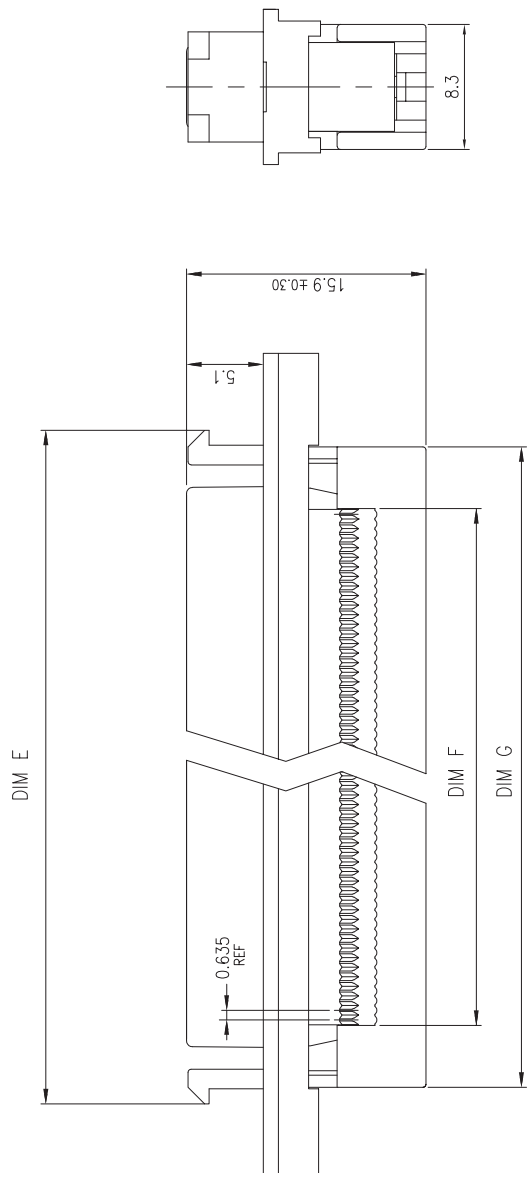
SEC. A-A

1 HOUSING: PBT, 30% GLASS REINFORCED, UL94V-0, COLOR BLACK.
 CONTACTS: PHOS. BRONZE.
 BRACKET: ZINC ALLOY.

2 CONTACTS: GOLD PLATED (SEE TABLE) ON MATING END, 1.27um [.000050in] MIN MATTE TIN ON TERMINATION AREA, ALL OVER 1.27um [.000050in] MIN NICKEL ON ENTIRE CONTACT.
 BRACKET: 1.27um [.000050] MIN. NICKEL.

3 SPECIFICATIONS:
 CURRENT RATING: 1A.
 VOLTAGE RATING: 30V AC.
 INSULATION RESISTANCE: 1000 MIILOHMS MIN. AT 500V DC.
 CONTACT RESISTANCE: 55 MIILOHMS MAX.
 DIELECTRIC WITHSTANDING VOLTAGE: 250V AC FOR 1 MINUTE.
 CONTACT RETENTION FORCE: 600 gf MIN.
 TOTAL INSERTION FORCE: 4 Kgf MAX. (FORCE DEPENDENT ON MATING CONNECTOR)
 TOTAL WITHDRAWAL FORCE: 1.5 Kgf MAX. (FORCE DEPENDENT ON MATING CONNECTOR)
 WIRE COVER RETENTION FORCE: 6 Kgf MIN.
 OPERATION TEMPERATURE: -55°C TO 85°C.

4 FOR USE WITH 30 & 32 AWG FLAT RIBBON CABLE.
 SELECTION OF COMPATIBLE RIBBON CABLE AND APPLICATION TOOLING FOR USE WITH THIS PRODUCT IS THE RESPONSIBILITY OF THE USER.
 5 TYCO LOGO LOCATED ON THIS SURFACE.
 6 SPECIFICATIONS SUBJECT TO CHANGE WITHOUT NOTICE.
 CONTACT TYCO ELECTRONICS FOR THE LATEST SPECIFICATIONS.
 7. PACKAGED IN TRAYS.



DIM	G	F	E	D	C	B	A	CONTACT FINISH	NO OF POS	PART NUMBER
51.5	43.30	53.70	63.90	57.93	46.20	41.91	0.03um [.000001in]	68	2-5390399-7	
40.07	31.87	42.27	52.47	46.50	34.77	30.48	0.03um [.000001in]	50	2-5390399-5	
51.5	43.30	53.70	63.90	57.93	46.20	41.91	0.38um [.000015in]	68	1-5390399-7	
40.07	31.87	42.27	52.47	46.50	34.77	30.48	0.38um [.000015in]	50	1-5390399-5	
51.5	43.30	53.70	63.90	57.93	46.20	41.91	0.76um [.000030in]	68	5390399-7	
40.07	31.87	42.27	52.47	46.50	34.77	30.48	0.76um [.000030in]	50	5390399-5	

THIS DRAWING IS A CONTROLLED DOCUMENT.

CONTROLLED BY: S. SHILEY
 CONTROLLED BY: W. WALKLEY
 CONTROLLED BY: M. WALKLEY
 CONTROLLED BY: M. WALKLEY
 CONTROLLED BY: M. WALKLEY

REVISIONS: 1. 0.64, 1.97 CENTERLINE
 2. 0.64, 1.97 CENTERLINE
 3. 1.27 [.050] SERIES
 4. 1.27 [.050] SERIES

DATE: 11/15/05

APPROVED BY: A1 00779

TYCO ELECTRONICS CORPORATION
 HARRISBURG, PA 17105-3608

RECEIPTABLE ASSY. LATCHES.
 0.64, 1.97 CENTERLINE.
 1.27 [.050] SERIES

CUSTOMER DRAWING

单击下面可查看定价，库存，交付和生命周期等信息

[>>TE Connectivity\(泰科\)](#)