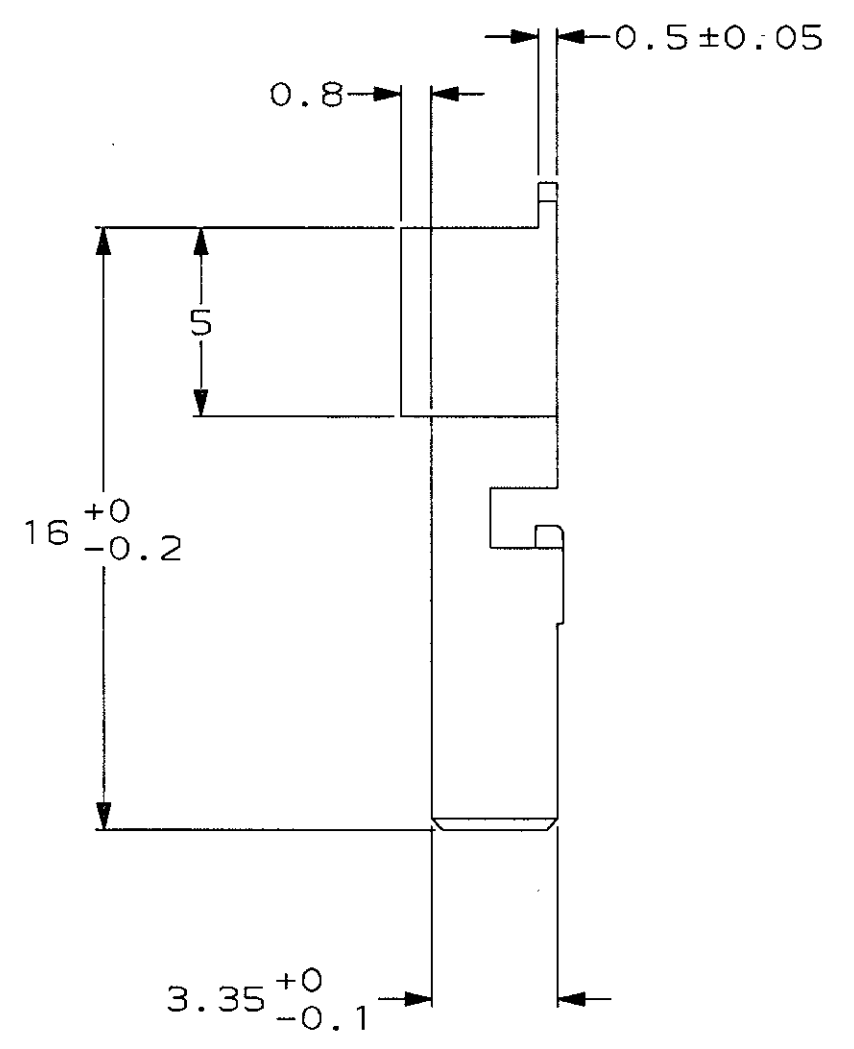
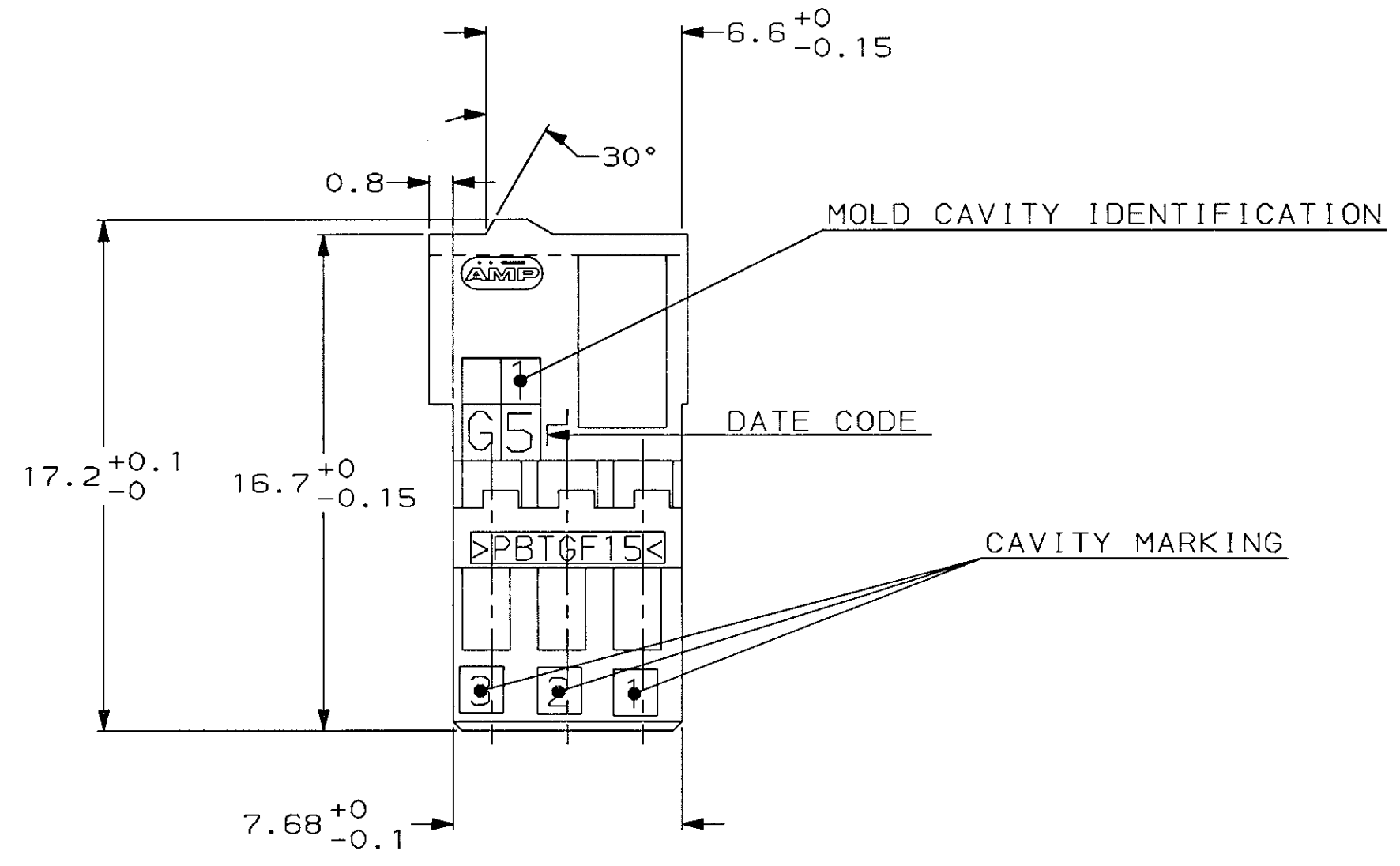
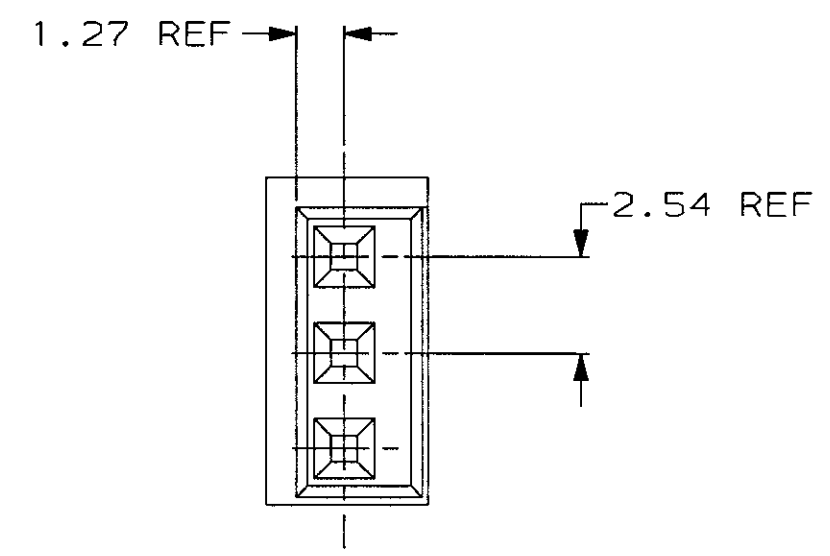


LOC		DIST		REVISIONS			
P	LTR	REV	DATE	DWN	DESS.	APVD	APP.
F		7					



PBT GF 15%	BLACK	185309-1
MATERIAL	COLOR	REFERENCE AMP

NOTA : PART TO USE WITH: - COVER P/N 185308-X  
 - SOCKETS P/N 144969-X  
 - INSTRUCTION SHEET: 411-15553

THIS DRAWING IS A CONTROLLED DOCUMENT. CE PLAN EST UN DOCUMENT CONTROLE.		DWN/DESSINE 26-APR-00 Michel POLIFONTE		AMP DE FRANCE 95301 PONTOISE	
DIMENSIONS: mm		TOLERANCES UNLESS OTHERWISE SPECIFIED, TOLERANCES NON SPECIFIEES (SUIV. NB DE DECIMALES): 0 = ±0.1 1 = ±0.15 2 = ±0.2 3 = ±0.25 4 = ±0.3		APVD/APPROUVE 28-APR-00 J.J. REVIL	
MATERIAL MATIERE SEE TABLE		FINISH FINITION -		NAME TITRE PLUG HOUSING 3W MQS	
MATERIAL MATIERE SEE TABLE		FINISH FINITION -		SIZE FORMAT A2	
MATERIAL MATIERE SEE TABLE		FINISH FINITION -		CAGE CODE 00779	
MATERIAL MATIERE SEE TABLE		FINISH FINITION -		DRAWING NO 185309	
MATERIAL MATIERE SEE TABLE		FINISH FINITION -		RESTRICTED TO -	
MATERIAL MATIERE SEE TABLE		FINISH FINITION -		WEIGHT MASSE APPROX. 0.3g	
MATERIAL MATIERE SEE TABLE		FINISH FINITION -		SCALE ECHELLE 5:1	
MATERIAL MATIERE SEE TABLE		FINISH FINITION -		SHEET FEUILLE 1 OF 1	
MATERIAL MATIERE SEE TABLE		FINISH FINITION -		REV 0	

单击下面可查看定价，库存，交付和生命周期等信息

[>>TE Connectivity\(泰科\)](#)