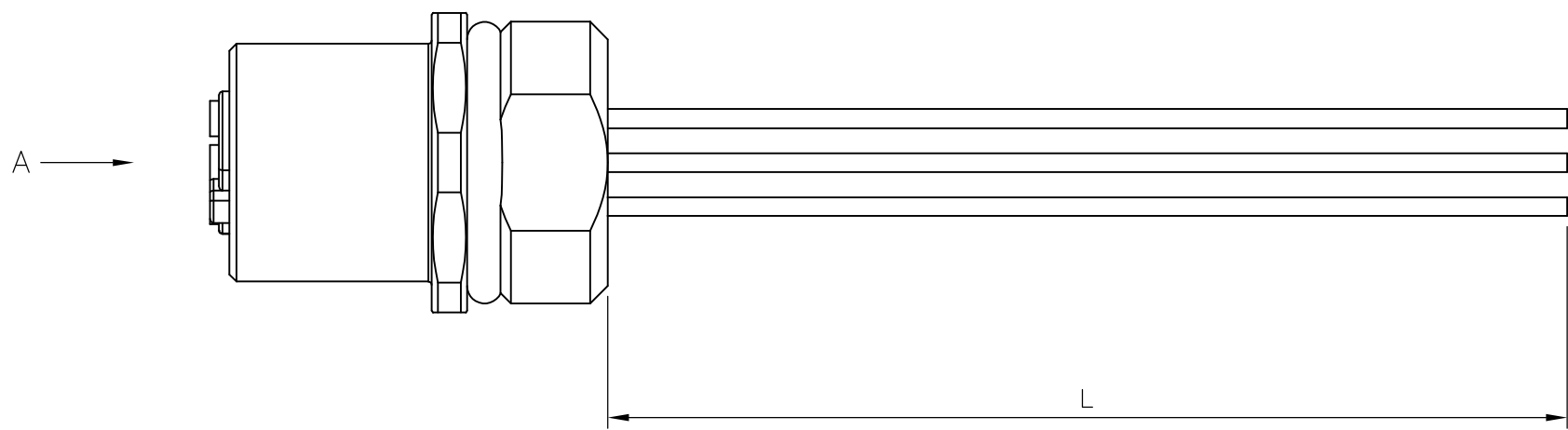


THIS DRAWING IS UNPUBLISHED. RELEASED FOR PUBLICATION
 © COPYRIGHT - By - ALL RIGHTS RESERVED.

REVISIONS					
P	LTR	DESCRIPTION	DATE	DWN	APVD
	A1	ECR-14-002932	04MAR2014	YC	BvH
	A2	ECR-15-003371	04MAR2015	GSK	BvH
	A3	ECR-16-003945	16MAR2016	GSK	BvH

NOTES:
 Tolerances cable lengths:
 0m to 0.5m +30mm
 0.5m to 1.0m +50mm
 1.0m to 3.0m +100mm
 < 3.0m +1.5%



TECHNICAL DATA	
Operating voltage	max. 250 V AC/DC
Operating current per contact	max. 4 A
Locking of ports	Screw thread M12 x 1 mm (recommended torque 0.6 Nm) self-securing
Protection	IP65 and IP67 when plugged and screwed down (EN 60529)

CABLE	
No./diameter of wires	4 x 0.34 mm ²
Wire isolation	PP (br, wh, bl, bk) (UL/CSA)
C-track properties	
Outer diameter	approx. 3.0 mm
Bend radius (moving)	10 x outer diameter
Temperature range (fixed)	-40...+80 °C

4 pos	0.2mtr	2273054-1	4X22AWG PANELMOUNT 0.2m WIRE	1
	LENGTH "L"	TE PN	DESCRIPTION	ITEM

THIS DRAWING IS A CONTROLLED DOCUMENT.		DWN 16NOV2013 SATHISH KUMAR.G	STE TE Connectivity	
		CHK 16NOV2013 B.VELDHOVEN		
		APVD 16NOV2013 A.VAN ZANDVOORT	NAME	
DIMENSIONS: mm		PRODUCT SPEC 108-19483	M12 FEMALE PNL MLD REAR Mt PG9/M16 PIGT A	
TOLERANCES UNLESS OTHERWISE SPECIFIED: 0 PLC ± - 1 PLC ± - 2 PLC ± - 3 PLC ± - 4 PLC ± - ANGLES ± -		APPLICATION SPEC 114-32127	SIZE	CAGE CODE
MATERIAL		WEIGHT	A3	00779
		FINISH	DRAWING NO C-2273054	
			RESTRICTED TO	
		CUSTOMER DRAWING		SCALE NTS
		SHEET 1 OF 1		REV A3

单击下面可查看定价，库存，交付和生命周期等信息

[>>TE Connectivity\(泰科\)](#)