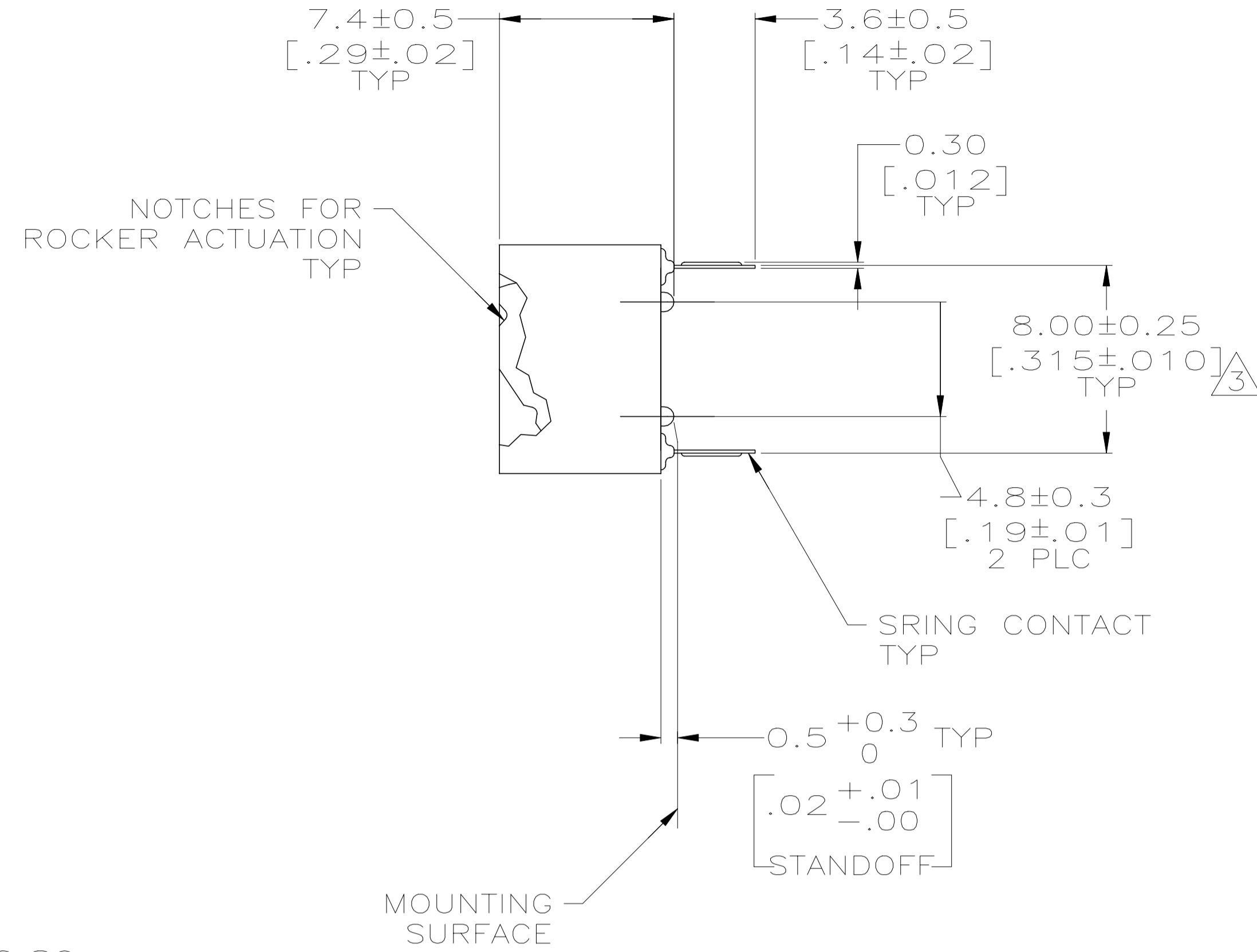
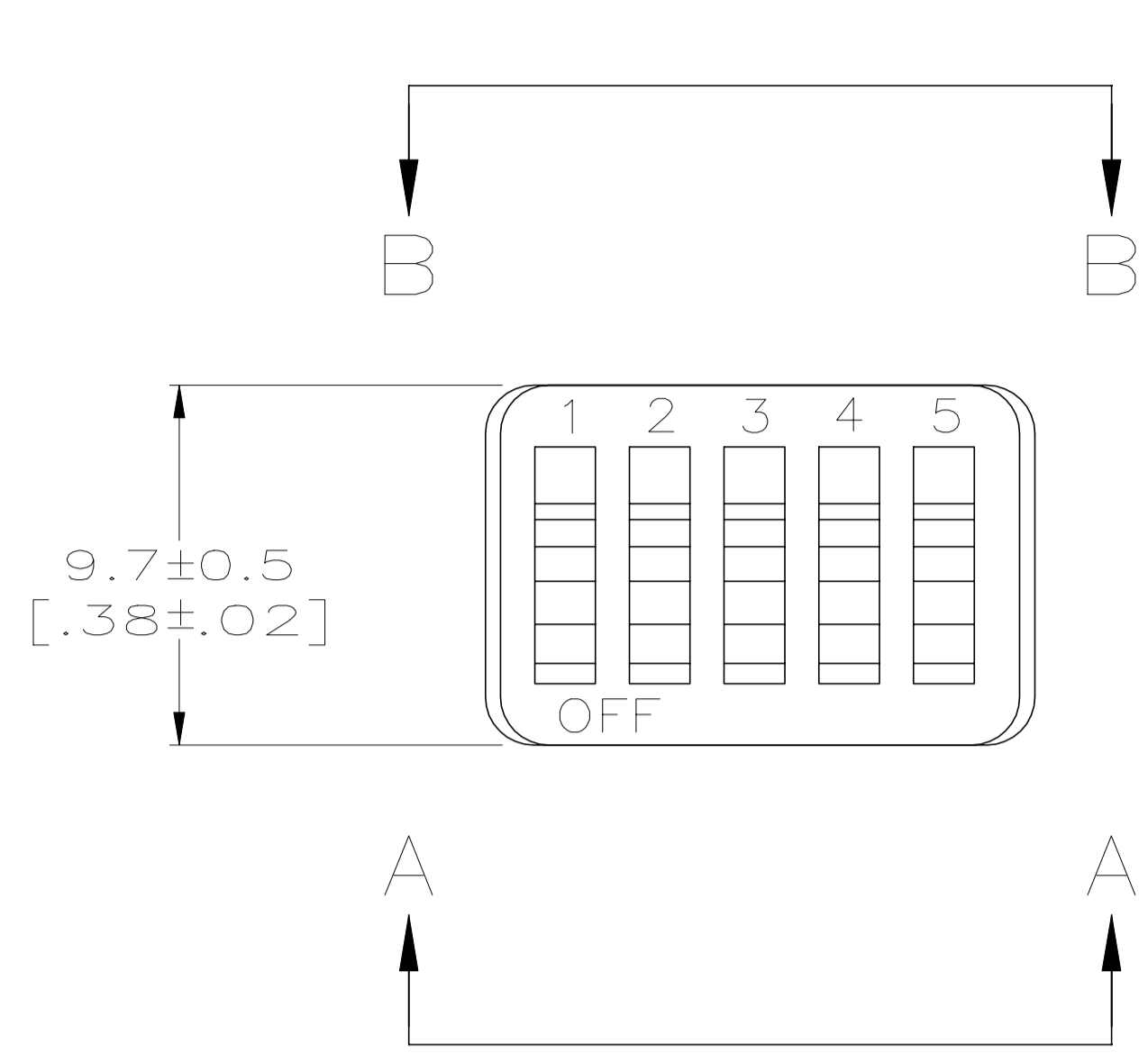
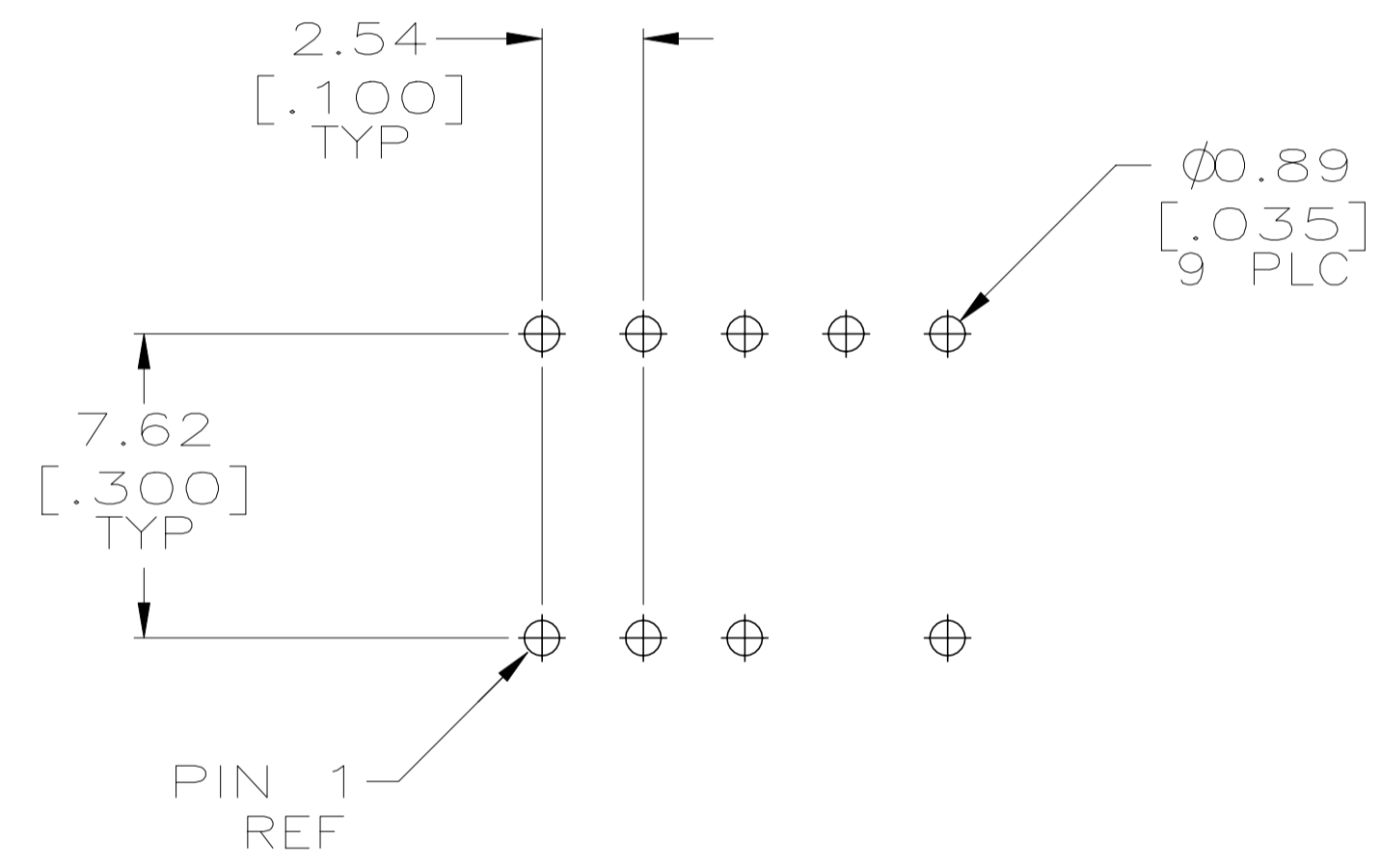


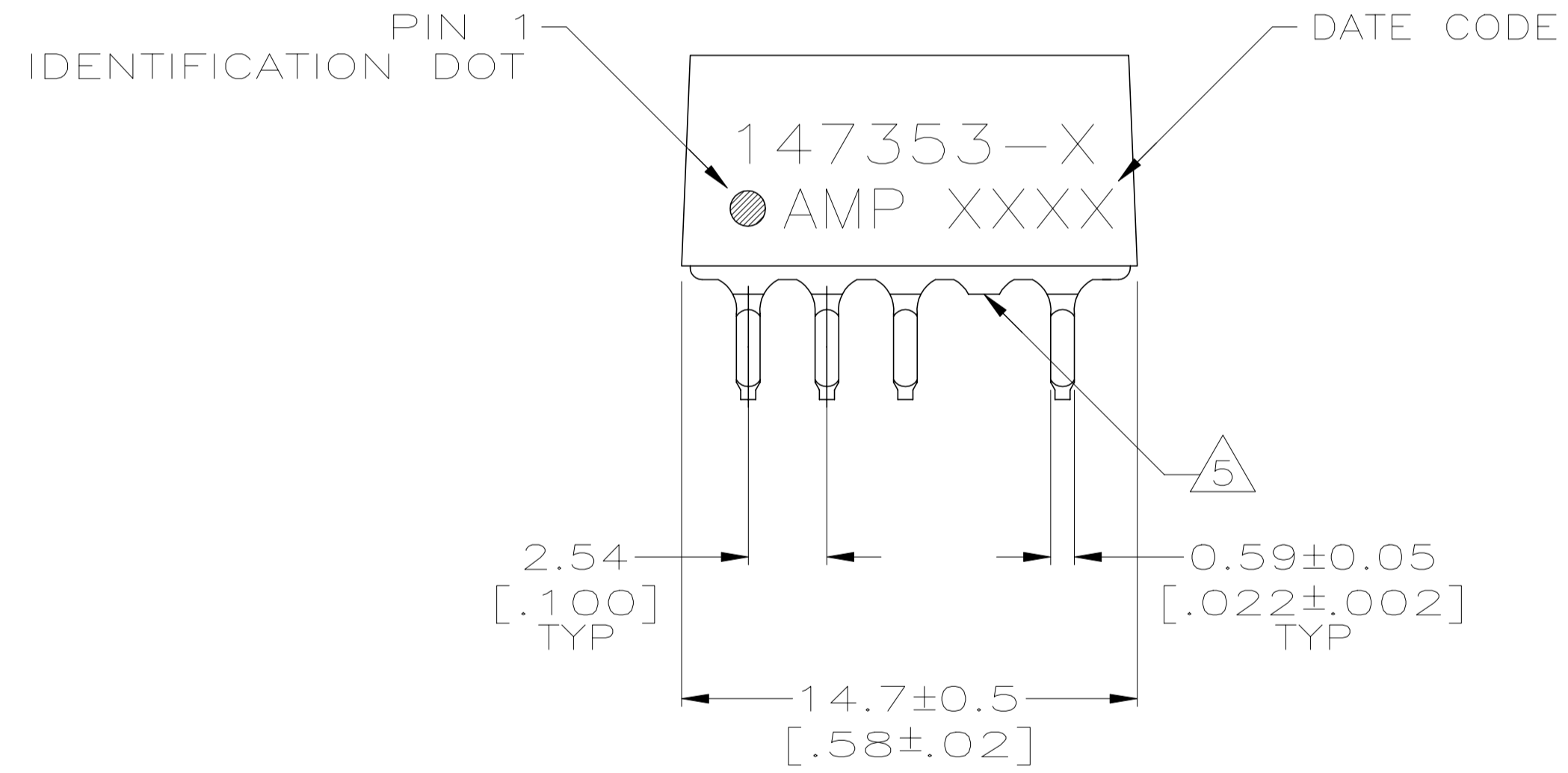
REVISIONS					
P	LTR	DESCRIPTION	DATE	DWN	APVD
B		ECO-20-004897	24AUG2020	SB	JB



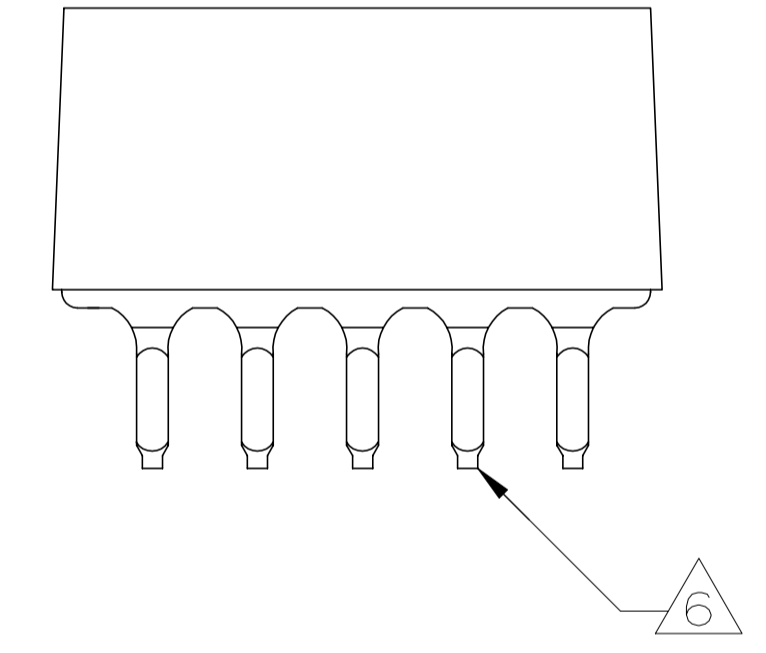
- 1 HOUSING AND ROCKERS: POLYESTER. CONTACTS: COPPER ALLOY.
- 2 SPRING CONTACTS: 0.76µm [0.00030] MIN GOLD IN CONTACT AREA OVER 1.27µm [0.00050] MIN NICKEL.
- 3 8.00±0.25 [0.315±0.010] DIMENSION APPLIES AT SPRING CONTACT TIPS. SPRING CONTACTS ARE 7.62 +0.25 / 0 [0.300 +0.010 / -0.000] AT MOUNTING SURFACE.
- 4. ALL CHARACTERS AND ROCKERS ARE WHITE, HOUSING IS BLUE.
- 5 CONTACT CLIPPED TO BOTTOM OF CORE IN POSITION 4 ONLY. (FRONT)
- 6 CONTACT DEPICTED IS ON BACK ROW ONLY. (REAR)
- 7 ALL MATERIALS AND FINISHES SHALL COMPLY WITH EU DIRECTIVE 2002/95/EC OF 27JAN2003 (ROHS)
- 8 MARKS WILL BE ADDED BY LASER MARK PROCESS.



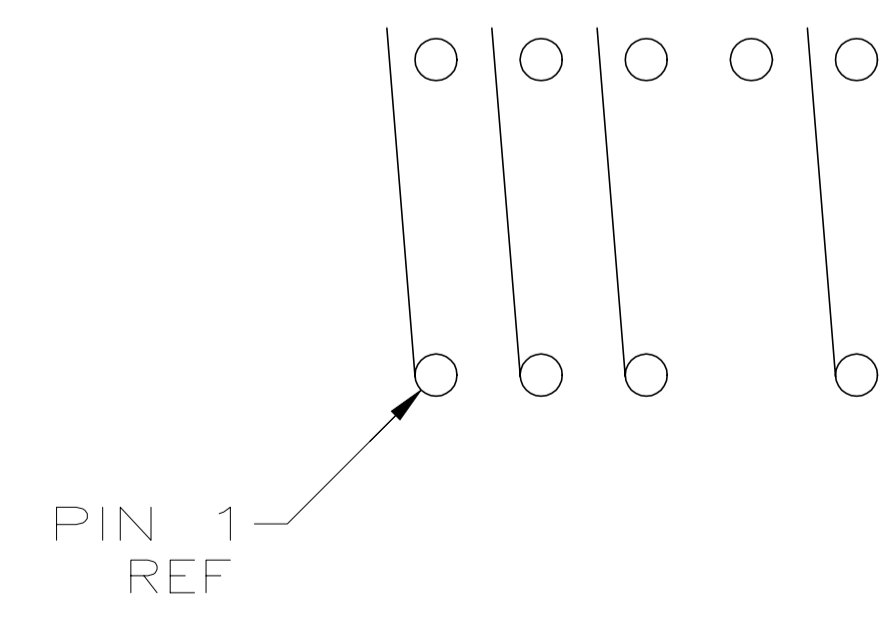
RECOMMENDED PCB LAYOUT



VIEW A-A (WITH FRONT ROW SHOWN ONLY) (FRONT)



VIEW B-B (WITH BACK ROW SHOWN ONLY) ROTATED 180° CW (REAR)



CONTACT ARRANGEMENT

7	TIN	5	147353-2
	TIN/LEAD	5	147353-1
	SOLDER LEAD PLATING	NO. OF POSN	SWITCH ASSY P/N

THIS DRAWING IS A CONTROLLED DOCUMENT.		DWN	17 NOV 99	
		CHK	28 JAN 00	
DIMENSIONS: mm [INCHES]		APVD	28 JAN 00	NAME SWITCH ASSEMBLY, TYPE C, W/ CLIPPED CONTACT, 7100 SERIES, SPST, LOW PROFILE, DIP SWITCH
TOLERANCES UNLESS OTHERWISE SPECIFIED: 0 PLC ± - 1 PLC ± - 2 PLC ± 0.13 [.005] 3 PLC ± - 4 PLC ± - ANGLES ± -		PRODUCT SPEC		
MATERIAL		FINISH	WEIGHT	SIZE A2
				CAGE CODE 00779
				DRAWING NO 147353
				RESTRICTED TO -
				SCALE 4:1
				SHEET 1 of 1
				REV B

147353

单击下面可查看定价，库存，交付和生命周期等信息

[>>TE Connectivity\(泰科\)](#)