

4

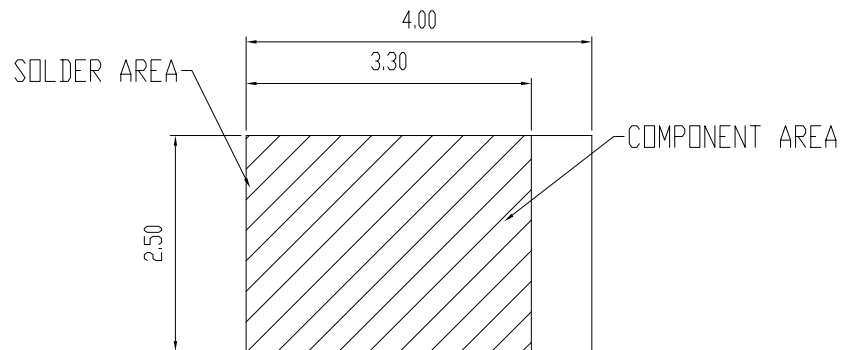
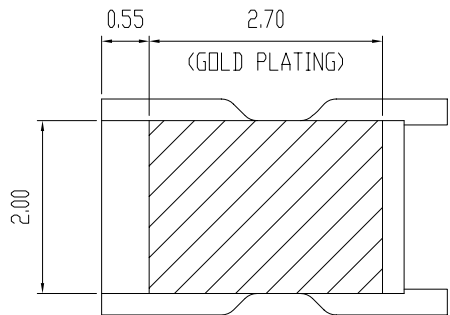
3

2

1

THIS DRAWING IS UNPUBLISHED. RELEASED FOR PUBLICATION
© COPYRIGHT 2011 BY TYCO ELECTRONICS CORPORATION. ALL RIGHTS RESERVED.

LOC		DIST		REVISIONS			
P	LTR	DESCRIPTION		DATE	DWN	APVD	
	A	REVISED (ECR-11-023837)		29NOV11	JL	WK	



D

D

C

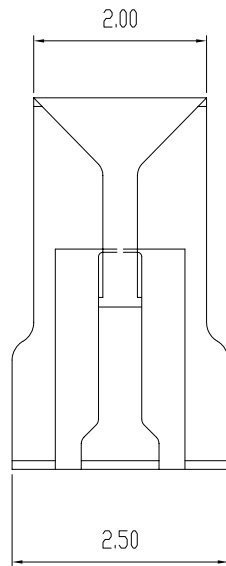
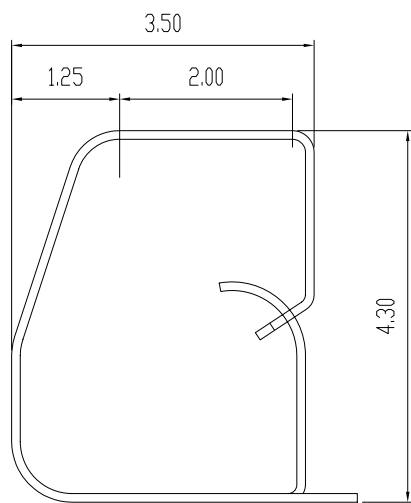
C

B

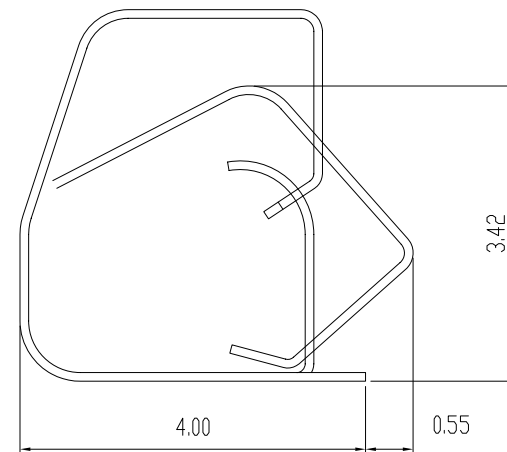
B

A

A

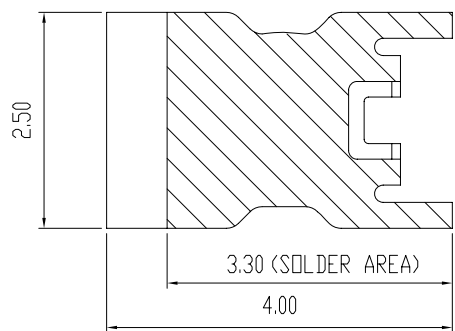


RECOMMEND PCB LAYOUT



AFTER PRESSURE

- NOTE:
 1. MATERIAL: TI-CU, T=0.10±0.01
 2. FINISH:
 CONTACT: 2u" MIN GOLD PLATING ON THE CONTACT
 100u" MIN TIN PLATING ON THE SOLDER AREA
 40u" MIN NICKEL UNDER PLATING OVERALL



RECOMMENDED FOOT PRINT
REFERENCE ONLY

1775073-1
PART NUMBER

THIS DRAWING IS A CONTROLLED DOCUMENT.		DWN Q. LU 07DEC2004	STE TE Connectivity	
DIMENSIONS: mm		CHK S. HOU 07DEC2004		
TOLERANCES UNLESS OTHERWISE SPECIFIED:		APVD W.J. KE 07DEC2004	NAME	
0 PLC ± -		PRODUCT SPEC	SHIELD FINGER 434025N7	
1 PLC ± 0.3		108-57531	SIZE	CAGE CODE
2 PLC ± 0.2		QUALIFICATION TEST REPORT	A3	00779
3 PLC ± 0.15		501-57609	DRAWING NO	
4 PLC ± -		WEIGHT	C=1775073	
4 ANGLES ± 3'		0.027 GRAMS	RESTRICTED TO	
MATERIAL SEE NOTE	FINISH SEE NOTE	CUSTOMER DRAWING		SCALE
		SHEET		REV
		1 OF 2		A

4

3

2

1

THIS DRAWING IS UNPUBLISHED.

RELEASED FOR PUBLICATION

© COPYRIGHT 2011 BY TYCO ELECTRONICS CORPORATION.

ALL RIGHTS RESERVED.

LOC
DW

DIST

REVISIONS

P	LTR	DESCRIPTION	DATE	DWN	APVD
		SEE SHEET 1.			

NOTES :

- QUANTITY :
2000 PCS/REEL
12 REEL/SHIPPING BOX.
- DIMENSION :
BOX : 340X340X224
- GENERAL TOLERANCE : ± 0.30
- MATERIAL:
CARRIER TAPE : ACRYLIC FILM
TOP TAPE : PET FILM
REEL : PLASTIC
- WEIGHT
NET WEIGHT 3.8kg
GROSS WEIGHT 5.38kg

D

D

TAPES DIMENSION

REEL DIMENSION : REFERENCE ONLY

C

C

B

B

A

A

THIS DRAWING IS A CONTROLLED DOCUMENT.		DWN	TE Connectivity		
DIMENSIONS: mm		CHK	NAME		
TOLERANCES UNLESS OTHERWISE SPECIFIED:		APVD	SHIELD FINGER 434025N7		
0 PLC	$\pm .$	PRODUCT SPEC	SIZE	CAGE CODE	DRAWING NO
1 PLC	± 0.3	APPLICATION SPEC	A3	00779	C=1775073
2 PLC	± 0.2	WEIGHT	RESTRICTED TO		
3 PLC	± 0.15	CUSTOMER DRAWING	SCALE		
4 PLC	$\pm .$		SHEET 2 OF 2		
ANGLES	$\pm 3'$		REV A		
MATERIAL	FINISH				

1470-19 (1/08)

Downloaded From Onevac.com

单击下面可查看定价，库存，交付和生命周期等信息

[>>TE Connectivity\(泰科\)](#)