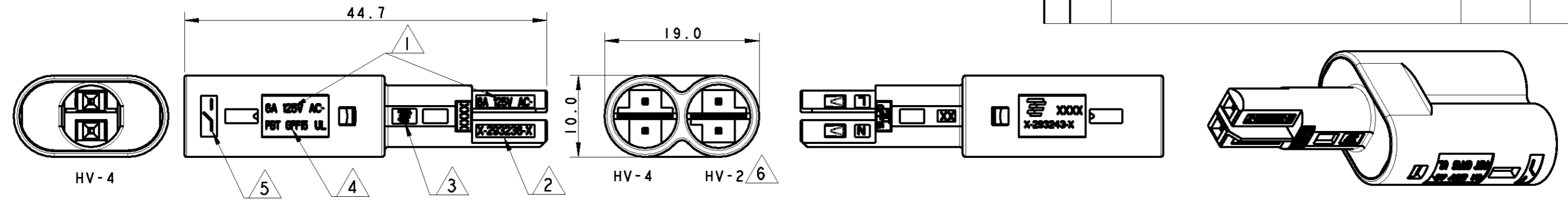


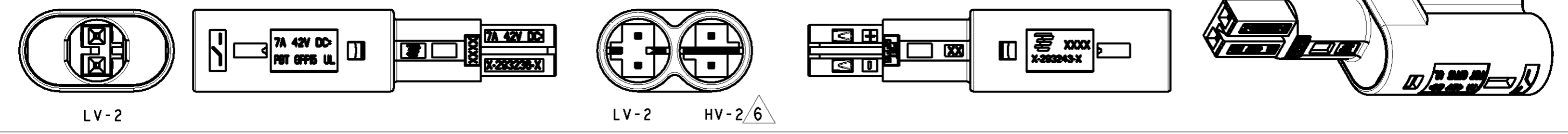
THIS DRAWING IS UNPUBLISHED. RELEASED FOR PUBLICATION 2006
 © COPYRIGHT 2006 BY TYCO ELECTRONICS CORPORATION. ALL RIGHTS RESERVED.

LOC	DIST	P	LTR	DESCRIPTION	DATE	DWN	APVD
-	-	A		FIRST ISSUE	18FEB2010	AV	GT
		B2		UPDATED OVERALL LENGTH	07NOV2011	AV	GT

P/N 293649-1 AS SHOWN



P/N 293649-2 AS SHOWN
 FOR MISSING DIMENSION REFER TO P/N 293649-1



- 1 MARKING DEPEND KEYING
- 2 PART MARKING
- 3 TYCO ELECTRONICS PRODUCT IDENTIFIER
- 4 RAW MATERIAL IDENTIFICATION PBT GF15 UL 94 V0 WHITE COLOR
- 5 SWITCH WAY IDENTIFICATION
- 6 POLARIZATION KEYING HV-2 TO BE USED FOR SWITCH APPLICATION ONLY

NOTE	REMARKS	P/N	REV
	LOW-VOLT 7A 42V DC	293649-2	B1
	HIGH-VOLT 6A 125 Vac	293649-1	B1

<small>THIS DRAWING IS A CONTROLLED DOCUMENT FOR TYCO ELECTRONICS CORPORATION IT IS SUBJECT TO CHANGE AND THE CONTROLLING ENGINEERING ORGANIZATION SHOULD BE CONTACTED FOR THE LATEST REVISION.</small>		DWN 18FEB2010 A. Vecchia		Tyco Electronics Tyco Electronics AMP Italia 10093 Collegno TO	
DIMENSIONS: mm 		TOLERANCES UNLESS OTHERWISE SPECIFIED: 0 PLC ±- 1 PLC ±0.2 2 PLC ±0.1 3 PLC ± 4 PLC ± ANGLES ±-		NAME T-SPLITTER CONNECTOR SWITCH VERSION FOR USA MARKET	
MATERIAL - FINISH -		PRODUCT SPEC - APPLICATION SPEC - WEIGHT -		SIZE CAGE CODE DRAWING NO RESTRICTED TO A3 00779 C-293649 -	
CUSTOMER DRAWING				SCALE 2:1 SHEET 1 OF 1 REV B2	

单击下面可查看定价，库存，交付和生命周期等信息

[>>TE Connectivity\(泰科\)](#)