

4

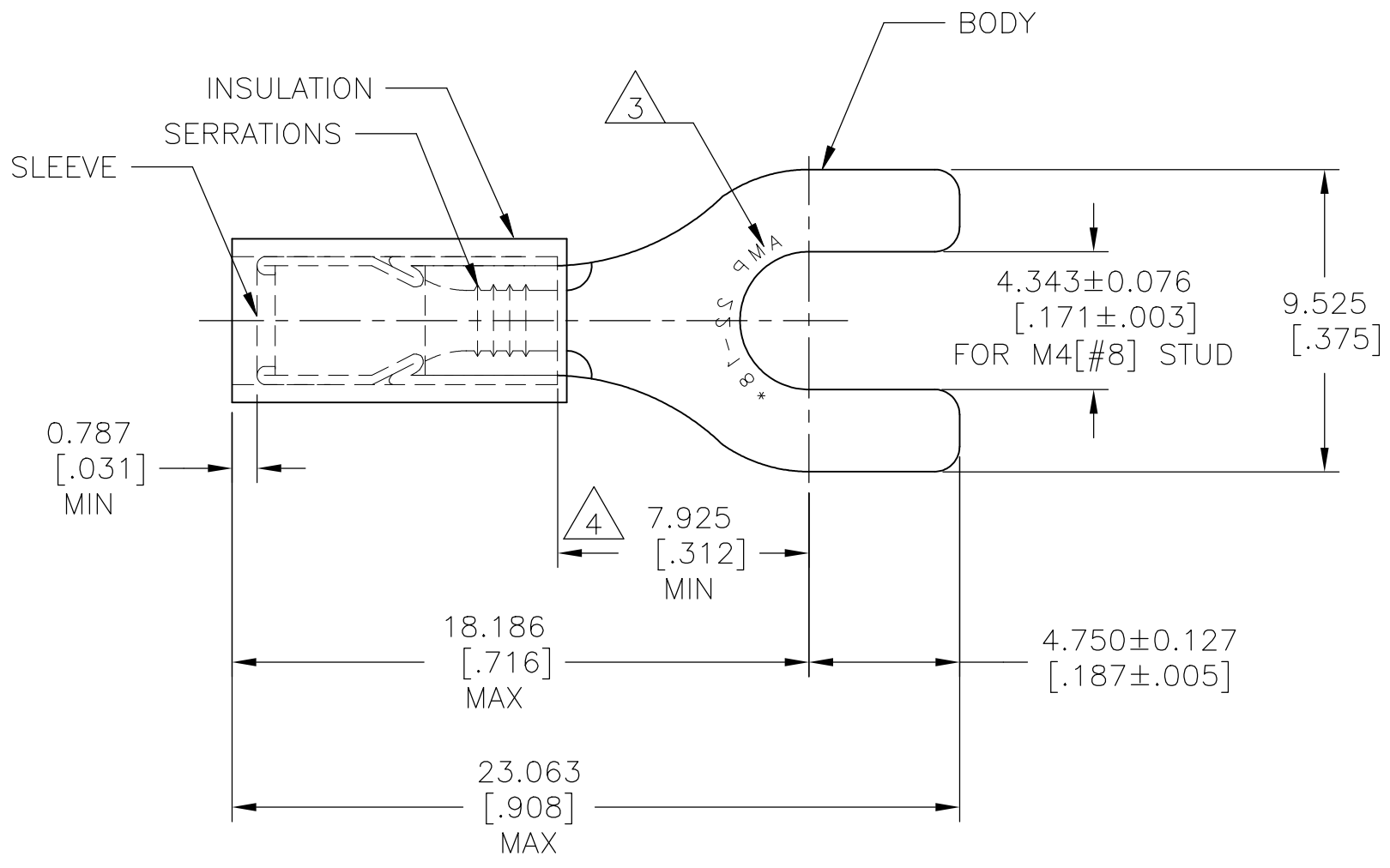
3

2

1

THIS DRAWING IS UNPUBLISHED. RELEASED FOR PUBLICATION
 © COPYRIGHT - By - ALL RIGHTS RESERVED.

REVISIONS					
P	LTR	DESCRIPTION	DATE	DWN	APVD
	K3	REVISED PER ECO-12-011608	22JUN12	KH	DR
	K4	REVISED PER ECO-17-008114	01JUN2018	RS	DR



AMP WIRE RANGE	Listed FILE E13288	LR7189 Certified
22-16 AWG SOLID OR STRANDED	22-16 AWG SOLID OR STRANDED	22-16 AWG SOLID OR STRANDED

- 1 FOR WIRE INSULATION DIA: 2.032-3.175[.080-.125]
- 2 TONGUE MATERIAL THK: 0.787±0.051[.031±.002]
- 3 STAMP AMP 22-18* APPROX AS SHOWN. 22-16 TERMINALS ARE STAMPED 22-18 IN ACCORDANCE WITH MILITARY SPEC SAE AS 7928, COMMERCIAL WIRE RANGE IS 22-16
- 4 DIMENSION APPLIES FROM EDGE OF METAL WIRE BARREL TO CENTER OF STUD
- 5 MATERIAL:
BODY&SLEEVE: COPPER PER ASTM B152
INSULATION: NYLON
- 6 FINISH:
BODY&SLEEVE: TIN PLATE PER ASTM B545
INSULATION: COLOR-RED

1000	LOOSE PIECE	32050
QTY	PACKAGE TYPE	PART NO

AMP INCORPORATED CUSTOMER SERVICE SYSTEMS			THIS DRAWING IS A CONTROLLED DOCUMENT.		DWN 02APR12 KIRAN HOLAL		TE Connectivity Ltd.		
FOR ADDITIONAL PRODUCT INFORMATION OR COPIES OF DRAWINGS AND TECHNICAL DOCUMENTS PRODUCT INFORMATION CENTER 1-800-522-6752			RECOMMENDED OPERATING TEMPERATURE: 105°C [221°F]		CHK 02APR12 ROHDE DANIEL		NAME TERMINAL P.I.D.G, SPADE WIRE SIZE: 22-16		
					APVD 02APR12 ROHDE DANIEL				
FOR APPLICATION TOOLING INFORMATION TOOLING ASSISTANCE CENTER 1-800-722-1111			VOLTAGE RATING: 300V MAX		PRODUCT SPEC UL 486 A-B		SIZE CAGE CODE DRAWING NO RESTRICTED TO A3 00779 C-32050		
					APPLICATION SPEC 114-2157				
FOR ORDER ENTRY 1-800-526-5142			WIRE CROSS SECTIONAL AREA RANGE: 0.26-1.65mm² [509-3260] CIR.MIL SOLID OR STRANDED		MATERIAL 5		WEIGHT CUSTOMER DRAWING		
					FINISH 6				
					SCALE 5:1		SHEET 1 OF 1 REV K4		

单击下面可查看定价，库存，交付和生命周期等信息

[>>TE Connectivity\(泰科\)](#)