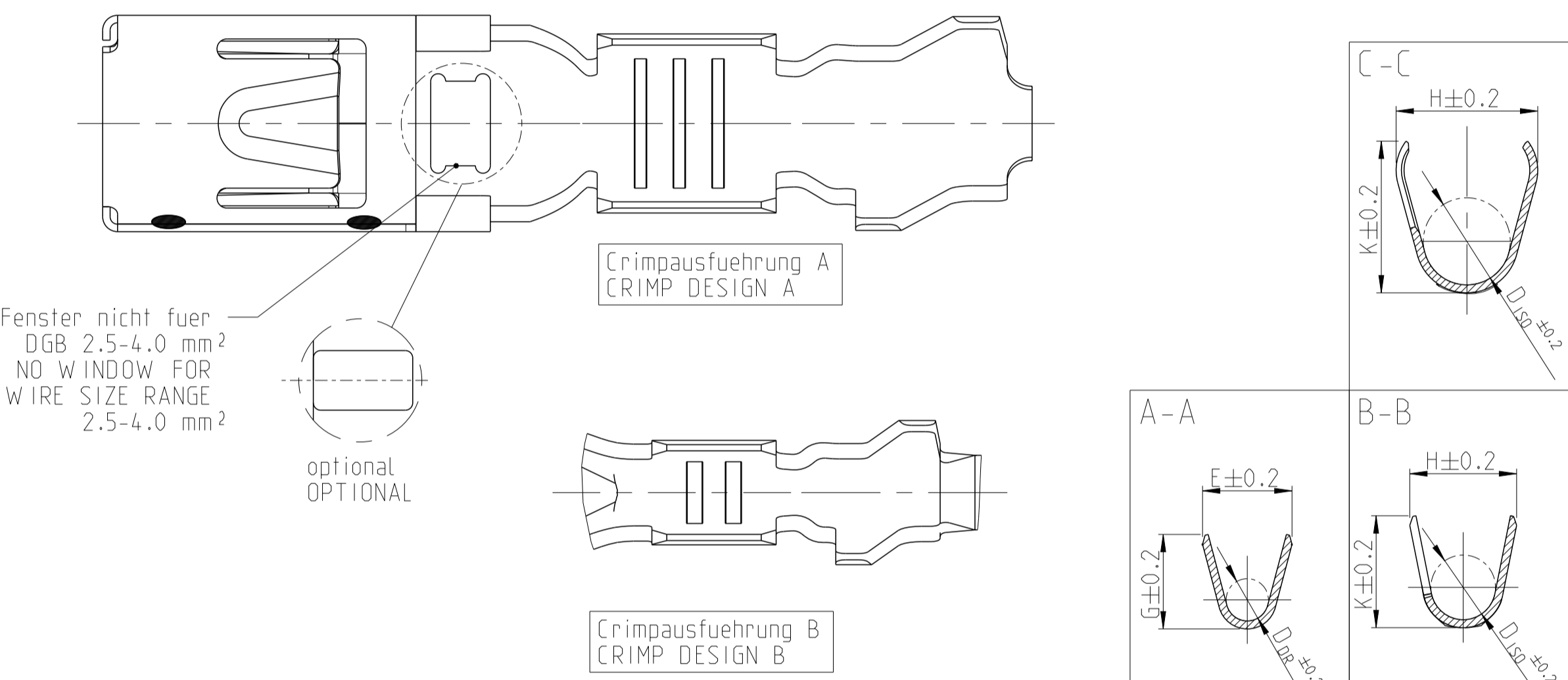
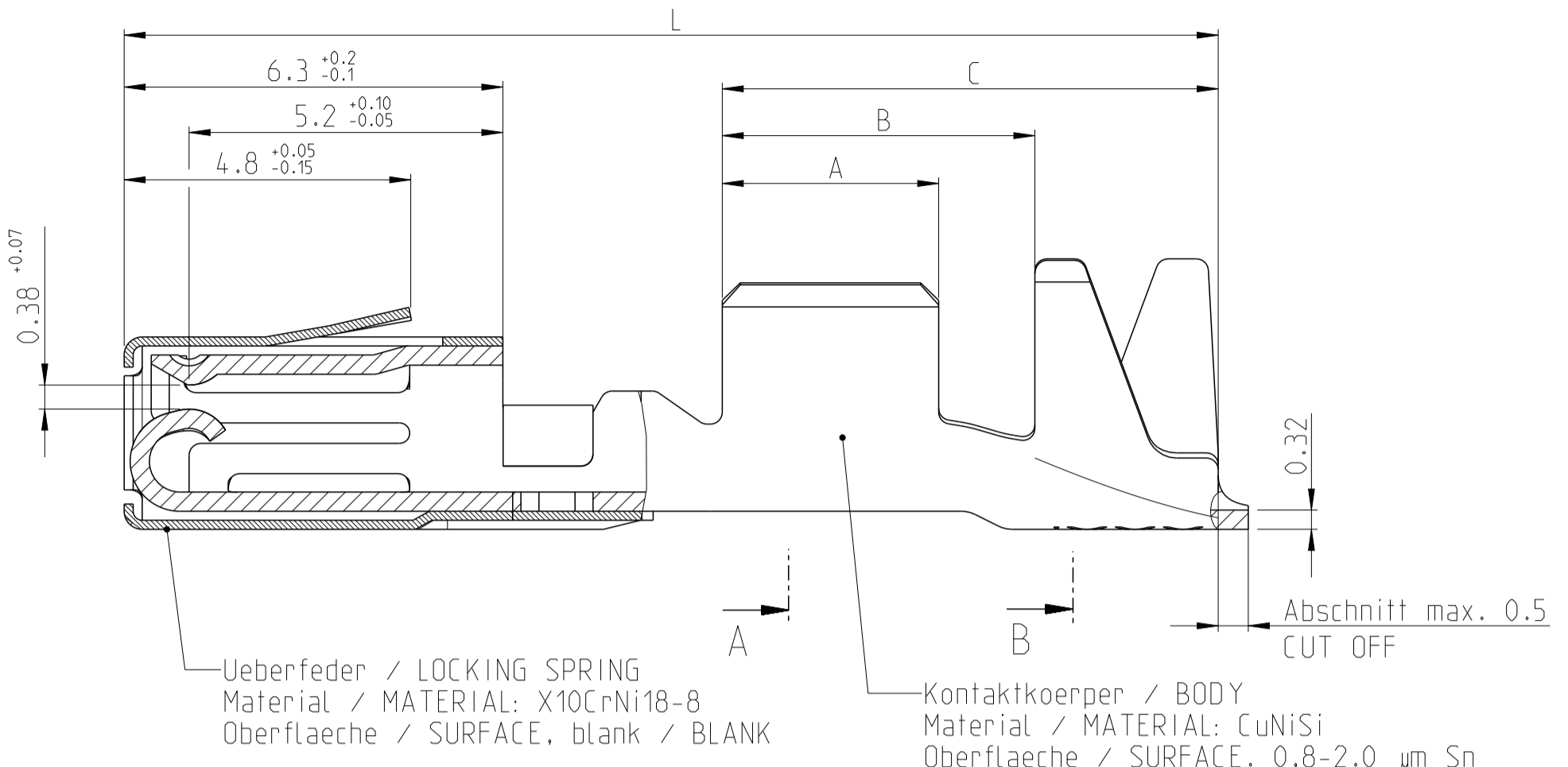


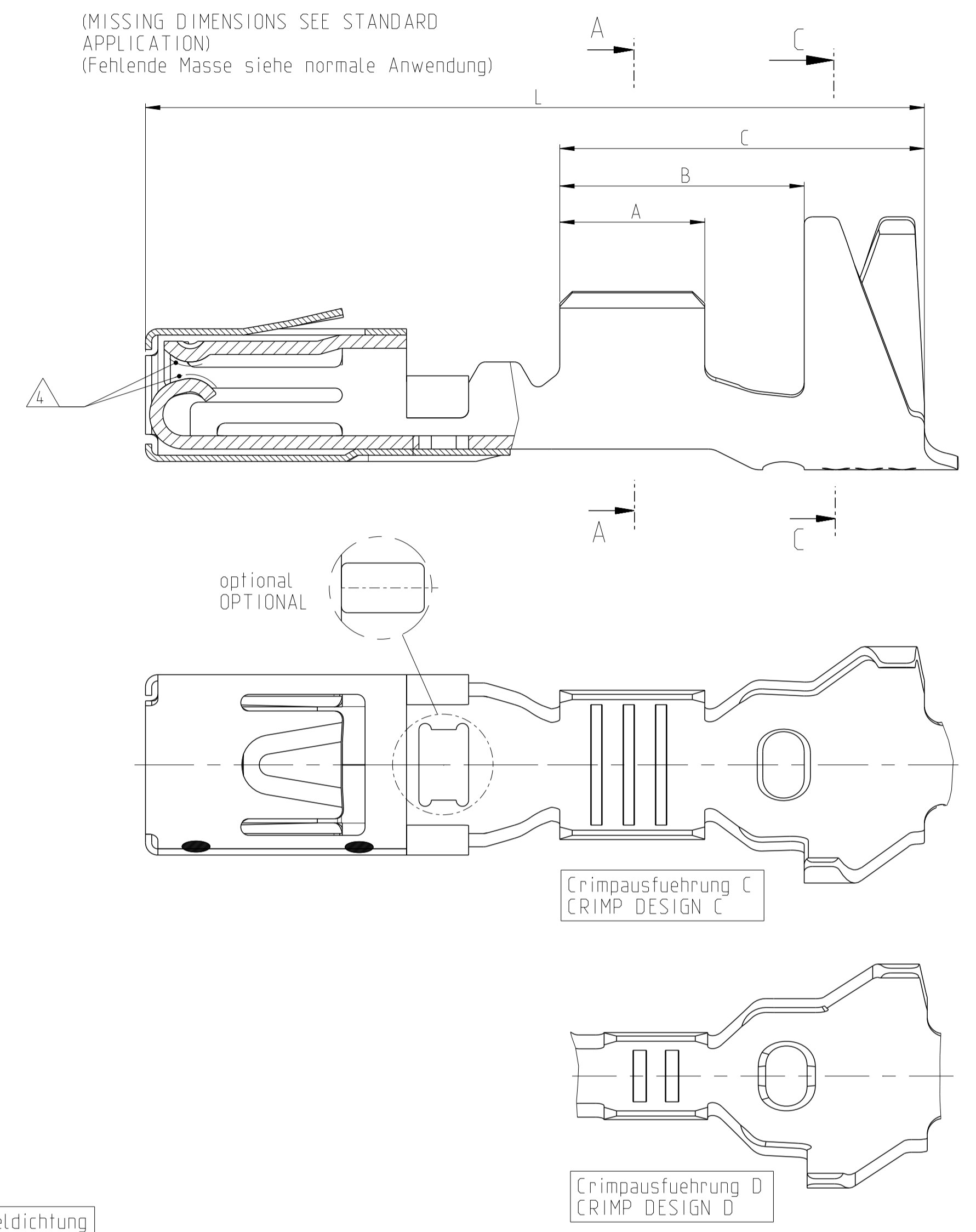
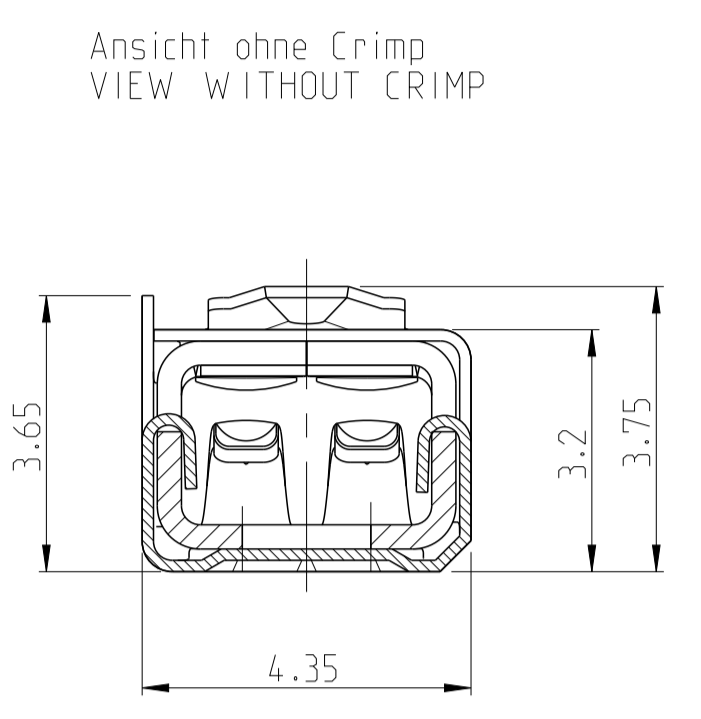
REVISIONS				
P.	LTN	DESCRIPTION	DATE	DMN APVD
B9		CRIMP DESIGN TYPE column in table added	08NOV2017	MAH. SCHI
B10		MATERIAL OF LOCKING SPRING CORRECTED	09OCT2019	BREN SCHI
B11		E-20-000779	15JAN2020	FRAN SCHI
B12		Updated general tolerance	22MAY2020	FRAN SCHI

Normale Anwendung  
STANDARD APPLICATION



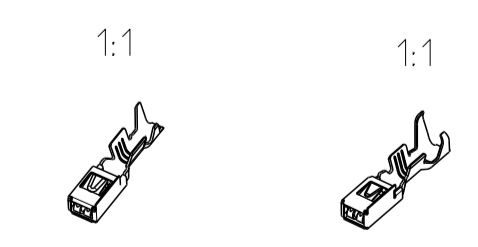
Einzeldichtungssystem  
SINGLE WIRE SEAL SYSTEM

(MISSING DIMENSIONS SEE STANDARD APPLICATION)  
(Fehlende Masse siehe normale Anwendung)



SUPERSEDED BY					REV.	NOTE	Sn	VERSION	Drahtgroessenbereich WIRE SIZE RANGE [mm²]	Crimplängen CRIMP LENGTHS [mm]	Drahtcrimp WIRE CRIMP [mm]	Isolationscrimp INSULATION CRIMP [mm]	Kontaktlänge CONTACT LENGTH [mm]	Gramm GRAM	Gewicht WEIGHT	Verarbeitung APPLICATION	Crimpausführung CRIMP DESIGN	Bestell-Nr. ORDER NO. TAB NR: 116-18005-600	Farbe COLOUR	zugehörige Einzeldichtung SUITABLE SINGLE WIRE SEAL	
968075-5	968120-5	D	4	-																A	B
	968120-2	D	-	X				> 1.0-2.5	3.5	5.9	8.8	3.6	3.8	1.7	5.7	6.1	3.5			967609-1	gelb/YELLOW
	968119-4	D	6	-				> 0.5-1.0	3.0	5.4	8.3	2.5	2.7	1.2	5.5	5.9	3.3	18.8		967610-1	grau/GREY
	968119-5	D	4	-																	
	968119-4	D	5	-																	
	968119-2	D	-	X				0.35-0.5	2.5	4.9	7.8	2.1	2.1	0.8	5.4	5.7	3.2				
	968680-5	B	4	-																	
	968680-2	B	-	X																	
	1355950-5	-	4	-				> 2.5-4.0	4.0	5.9	9.3	4.5	4.7	2.3	5.4	5.6	3.2	19.6			
	1355950-4	A	6	-																	
	1355950-3	B	8	-																	
	1355950-2	B	-	X																	
	968075-5	D	4	-				> 1.0-2.5	3.5	5.2	8.25	3.6	3.8	1.7	4.3	4.5	2.6				
	968075-4	A	6	-																	
	968075-3	B	8	-																	
	968075-2	D	-	X																	
	968074-5	D	4	-				> 0.5-1.0	3.0	4.6	7.0	2.5	2.7	1.2	3.2	3.4	1.8	18.2			
	968074-2	D	-	X																	
	968678-5	B	4	-				0.35-0.5	2.5	3.7	5.8	2.1	2.1	0.8	2.9	2.9	1.4				
	968678-2	B	-	X																	

- NOTES  
Bemerkungen
- SUITABLE FOR PIN CONTACT SEE DRAWING:  
Passend zu Stiftkontakt:  
TE: 1355933
  - FOR FLR-CONDUCTOR ACCORDING TO DIN 72551, PART 6 ONLY  
Nur fuer FLR-Leitungen nach DIN 72551, Teil 6
  - DETAILS OF DESIGN ARE LEFT TO MANUFACTURER  
Einzelheiten der Ausfuehrung bleiben dem Hersteller ueberlassen
- 4 MIN. 0.8µm Au OVER MIN. 1.2µm Ni  
Min. 0.8µm Au ueber min. 1.2µm Ni
- 5 2-4µm ELECTROPLATED SILVER  
2-4µm galvanisch Silber
- 6 MIN. 0.8µm PdNi OVER MIN. 1.2µm Ni  
Min. 0.8µm PdNi ueber min. 1.2µm Ni
- 7 FOR INSPECTION PURPOSES ONLY  
Nur fuer Pruefzwecke
- 8 MIN. 2.8-5.0µm Ag OVER MIN. 0.2-1.0µm Ni  
Min. 2.8-5.0µm Ag ueber min. 0.2-1.0µm Ni



THIS DRAWING IS A CONTROLLED DOCUMENT.		DMN S.Garcia 22MAY2000	TE Connectivity	
DIMENSIONS: mm		CHK R.Jetter 22MAY2000	TE Connectivity	
TOLERANCES UNLESS OTHERWISE SPECIFIED: DIN 6930-2-mH		APVD -	NAME MICRO POWER QUADLOK BUCHSENKONTAKT	
MATERIAL -		PRODUCT SPEC 108-18476-1	Tabellenzeichnung Buchsenkontakt	
FINISH -		APPLICATION SPEC 116-18141-1	TABLE SOCKET CONTACT	
WEIGHT -		SIZE A1	CAGE CODE 00779	DRAWING NO. C=1355934
CUSTOMER DRAWING		RESTRICTED TO	SCALE 5:1 SHEET 1 OF 1	

单击下面可查看定价，库存，交付和生命周期等信息

[>>TE Connectivity\(泰科\)](#)