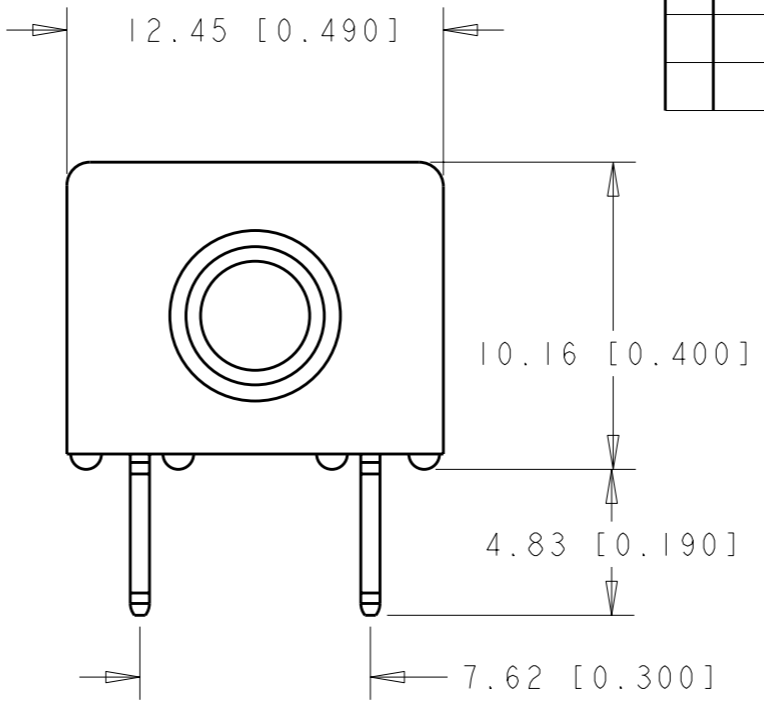
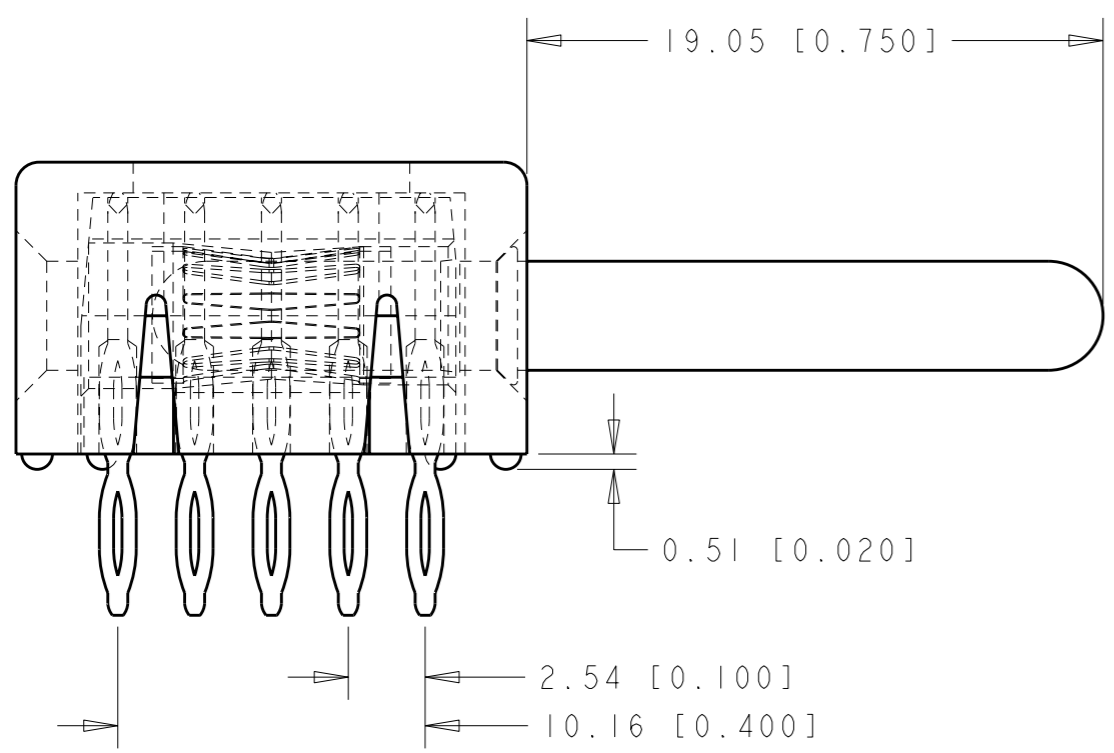


THIS DRAWING IS UNPUBLISHED. RELEASED FOR PUBLICATION 20  
 © COPYRIGHT 20 BY TYCO ELECTRONICS CORPORATION. ALL RIGHTS RESERVED.

LOC	DIST	REVISIONS			
P	LTR	DESCRIPTION	DATE	DWN	APVD
GP	00	A	INITIAL RELEASE	19OCT2006	GIP DO



6 FINISH FOR COMPLIANT PIN: .00040 MIN THK TIN OVER  
 .000050 MIN THK NICKEL

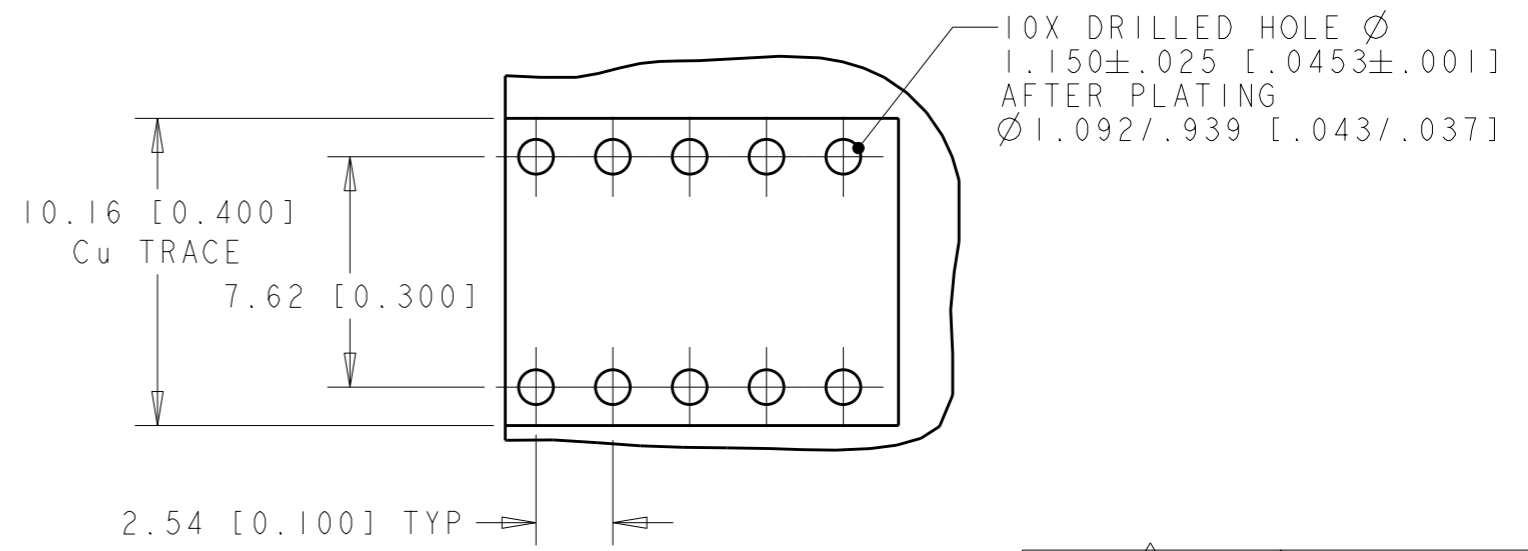
5 FOR APPLICATIONS UTILIZING AN IMMERSION SILVER PLATED PCB, CONTACT TYCO ENGINEERING.

4. FINISH  
 INSULATOR - AS MOLDED, COLOR: BLACK  
 MODULE - SILVER PLATED .002 IN THK OVER NICKEL .000040 MIN THK  
 CROWN - GOLD PLATED .000030 MIN THK OVER NICKEL .00040 MIN THK  
 PIN - GOLD PLATE .000030 MIN THK OVER ELECTROLESS NICKEL PLATER .000040 MIN THK

3. MATERIAL  
 INSULATOR - POLYESTER, GLASS FILLED, UL94 V-0  
 MODULE - ZINC ALLOY  
 CROWN - COPPER ALLOY  
 PIN CONTACT - BRASS  
 COMPLIANT PIN - PHOS BRONZE

2. ITEM PROVIDED TO THIS SPECIFICATION SHALL BE IDENTIFIED ON CONTAINER WITH THE FOLLOWING INFORMATION, PART NUMBER AND DATE CODE OF MANUFACTURE.

1. PART NUMBER CHANGES AND/OR DESIGN CHANGES AFFECTING ITEM INTERCHANGEABILITY REQUIRE PRIOR TYCO APPROVAL AND AUTHORIZATION BY REVISION TO THIS DRAWING.



RECOMMENDED FOOTPRINT

6	1926251-1
DESCRIPTION	PART NUMBER

THIS DRAWING IS A CONTROLLED DOCUMENT FOR TYCO ELECTRONICS CORPORATION IT IS SUBJECT TO CHANGE AND THE CONTROLLING ENGINEERING ORGANIZATION SHOULD BE CONTACTED FOR THE LATEST REVISION.		DWN G.PETERS 19OCT2006	Tyco Electronics Harrisburg, PA 17105-3608	NAME	
DIMENSIONS: mm [INCHES]		CHK D.ORRIS 19OCT2006		TOP ASSEMBLY ICCON, PARALLEL PIN, NON-LOCKING	
TOLERANCES UNLESS OTHERWISE SPECIFIED: 0 PLC ±.5 1 PLC ±0.5 2 PLC ±0.13 3 PLC ±0.013 4 PLC ±0.0001 ANGLES ±.5		APVD S.FLICKINGER 19OCT2006	PRODUCT SPEC		RESTRICTED TO
MATERIAL - FINISH -		APPLICATION SPEC -	SIZE A3	CAGE CODE 00779	DRAWING NO C-1926251
		WEIGHT -	SCALE		SHEET OF REV A
		CUSTOMER DRAWING			

单击下面可查看定价，库存，交付和生命周期等信息

[>>TE Connectivity\(泰科\)](#)