

4

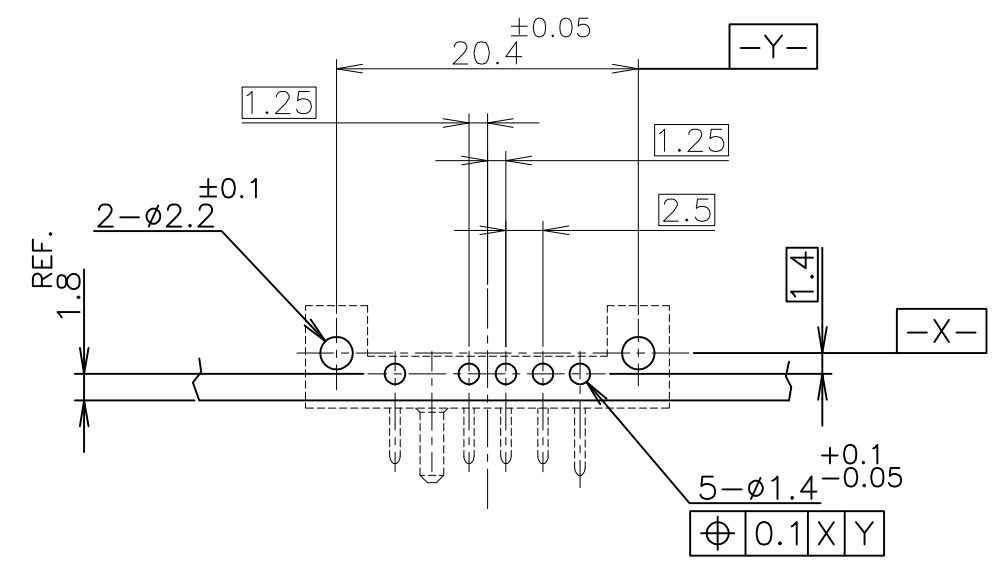
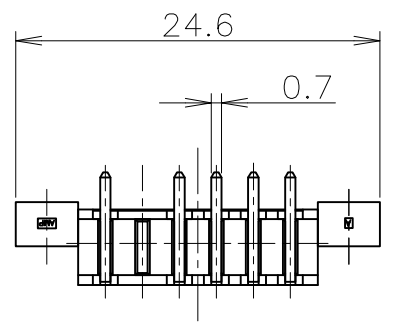
3

2

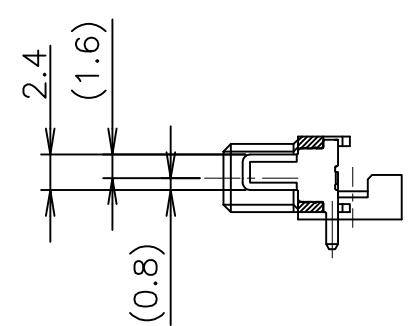
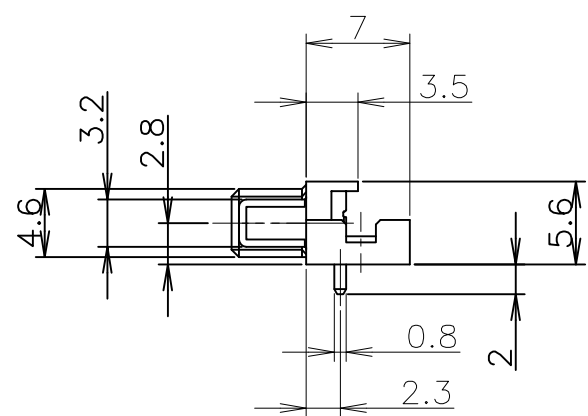
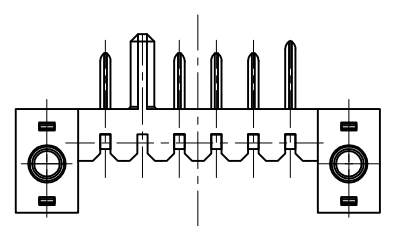
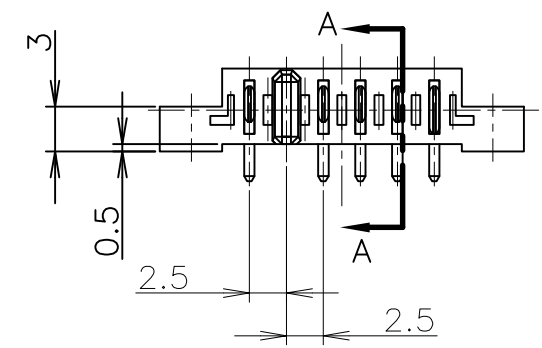
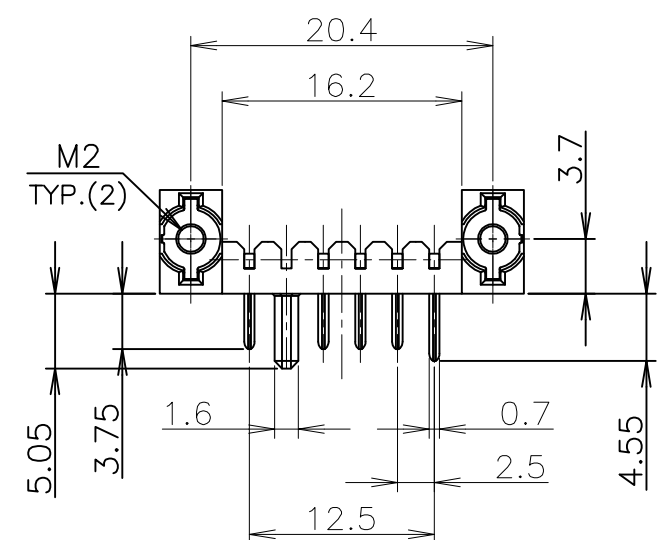
1

THIS DRAWING IS UNPUBLISHED. RELEASED FOR PUBLICATION OCT ,2004.  
 © COPYRIGHT 2004 BY TYCO ELECTRONICS CORPORATION. ALL RIGHTS RESERVED.

LOC	DIST	REVISIONS			
P	LTR	DESCRIPTION	DATE	DWN	APVD
ES		B	REVISED PER ECR-10-011717	30MAY2010	S.W S.Y



RECOMMENDED P.C.BOARD LAYOUT  
 P.C.BOARD THK 0.8~1.2  
 (VIEW FROM CONNECTOR MOUNTING SIDE)



- ① MATERIAL HOUSING : THERMOPLASTIC RESIN, UL94V-0  
 COLOR ; BLACK
- CONTACT : COPPER ALLOY  
 NUT-PLATE : STAINLESS STEEL
- ② FINISH CONTACT : Ni ALL OVER UNDER PL  
 Pd-Ni PL. AT CONTACT AREA  
 Au FLASH PL. AT CONTACT AREA  
 Au FLASH PL. AT LEAD AREA

6376042-2 : AS SHOWN

GENERAL TOLERANCE  
 10 ≥ : ±0.2  
 30 ≥ > 10 : ±0.25  
 100 ≥ > 30 : ±0.3  
 ANGLES : ±3°

THIS DRAWING IS A CONTROLLED DOCUMENT.		DWN	T.KATANO	08OCT04	Tyco Electronics Shanghai, P.R.China, 200233
DIMENSIONS: mm		CHK	T.KIMURA	08OCT04	
TOLERANCES UNLESS OTHERWISE SPECIFIED:		APVD	K.IKEGAMI	08OCT04	
0 PLC ± - 1 PLC ± - 2 PLC ± - 3 PLC ± - 4 PLC ± - ANGLES ± -		PRODUCT SPEC	108-78211		
MATERIAL		APPLICATION SPEC	NAME		
① ②		FINISH	PLUG ASSEMBLY 2.5mm PITCH BATTERY CONNECTOR (5POS.) WITH NUT PLATE		
CUSTOMER DRAWING		WEIGHT	SIZE	A3	RESTRICTED TO
		SCALE	CAGE CODE	00779	
			DRAWING NO	6376042	
			SHEET	1 OF 1	REV B

单击下面可查看定价，库存，交付和生命周期等信息

[>>TE Connectivity\(泰科\)](#)