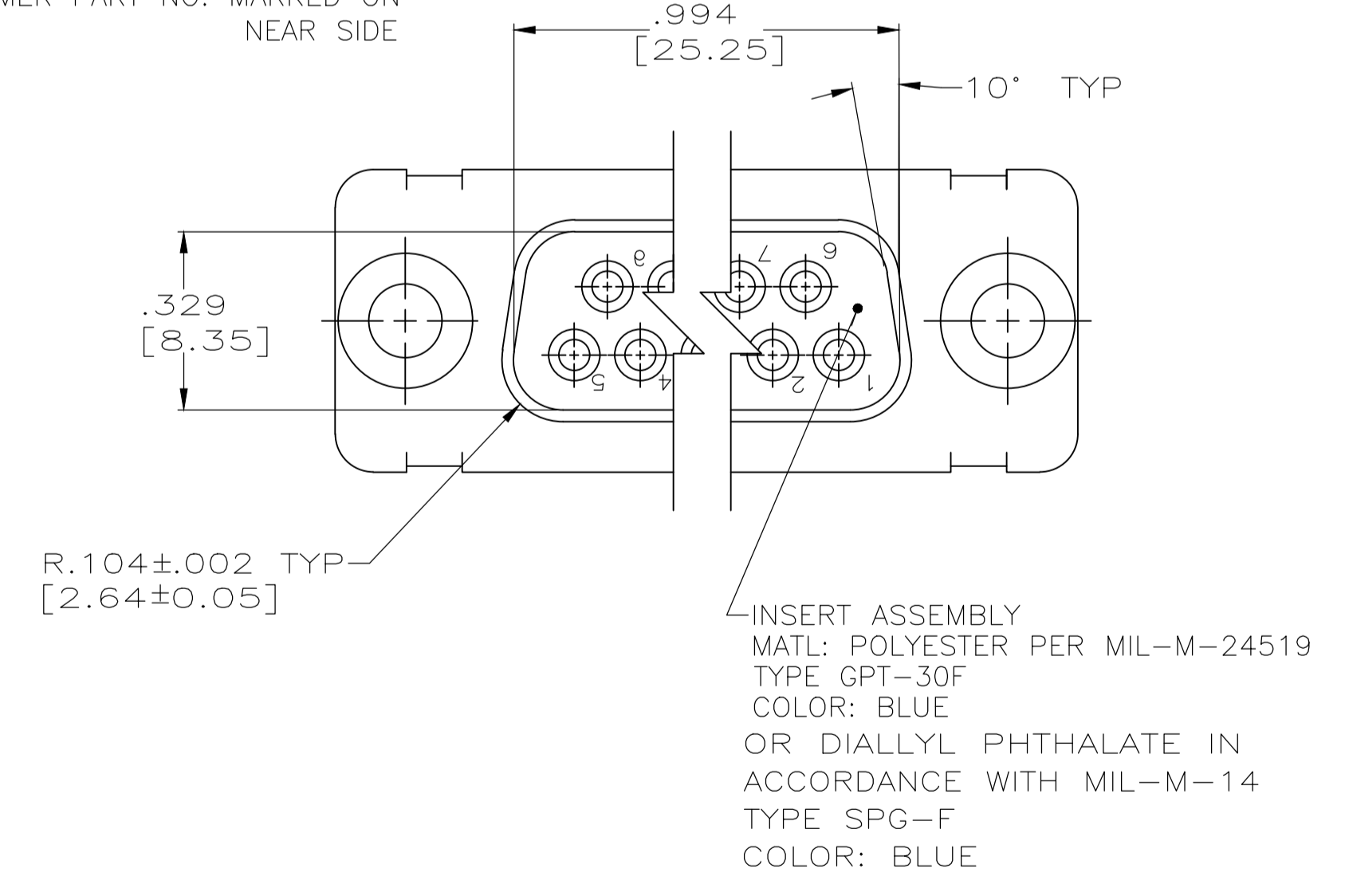
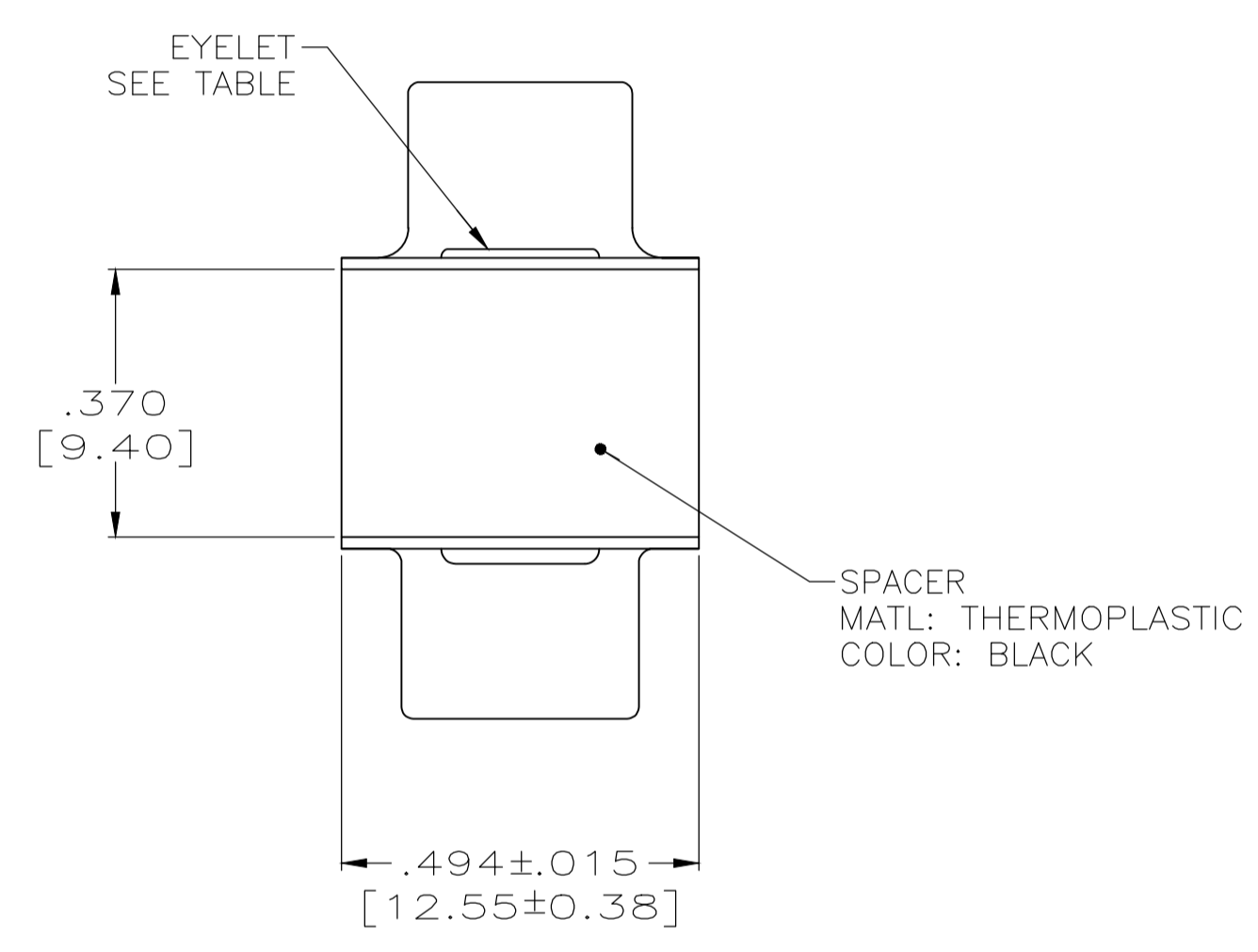
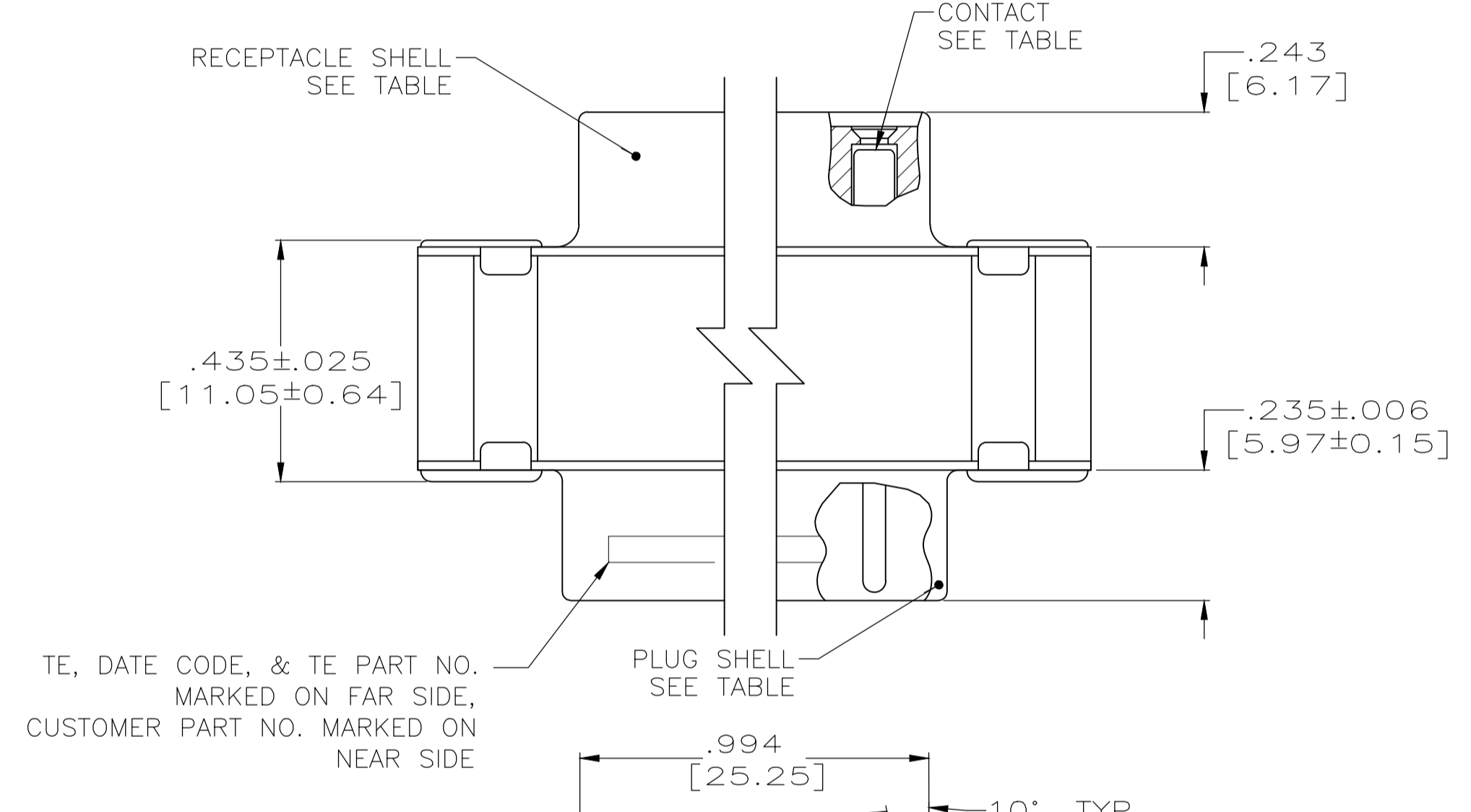
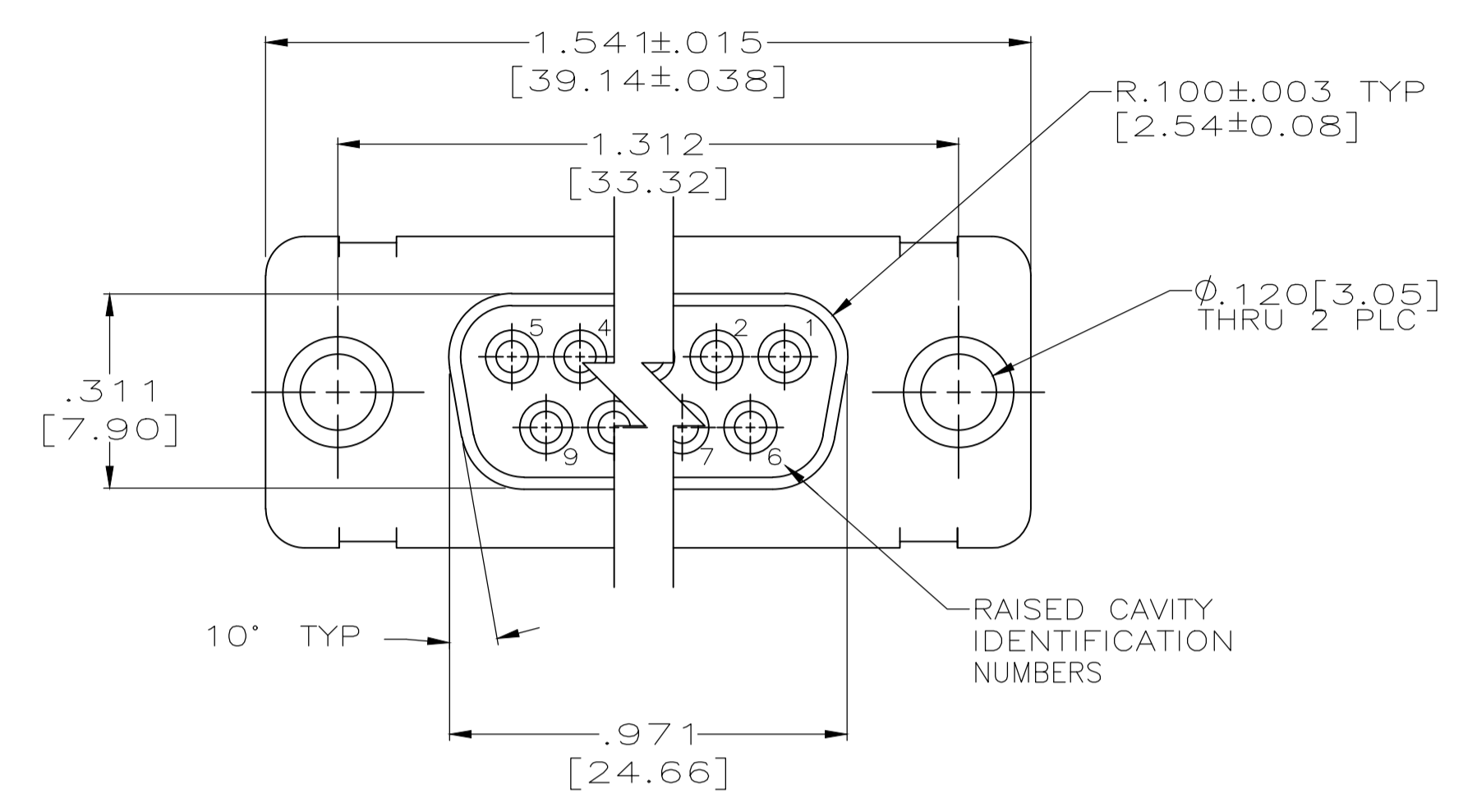
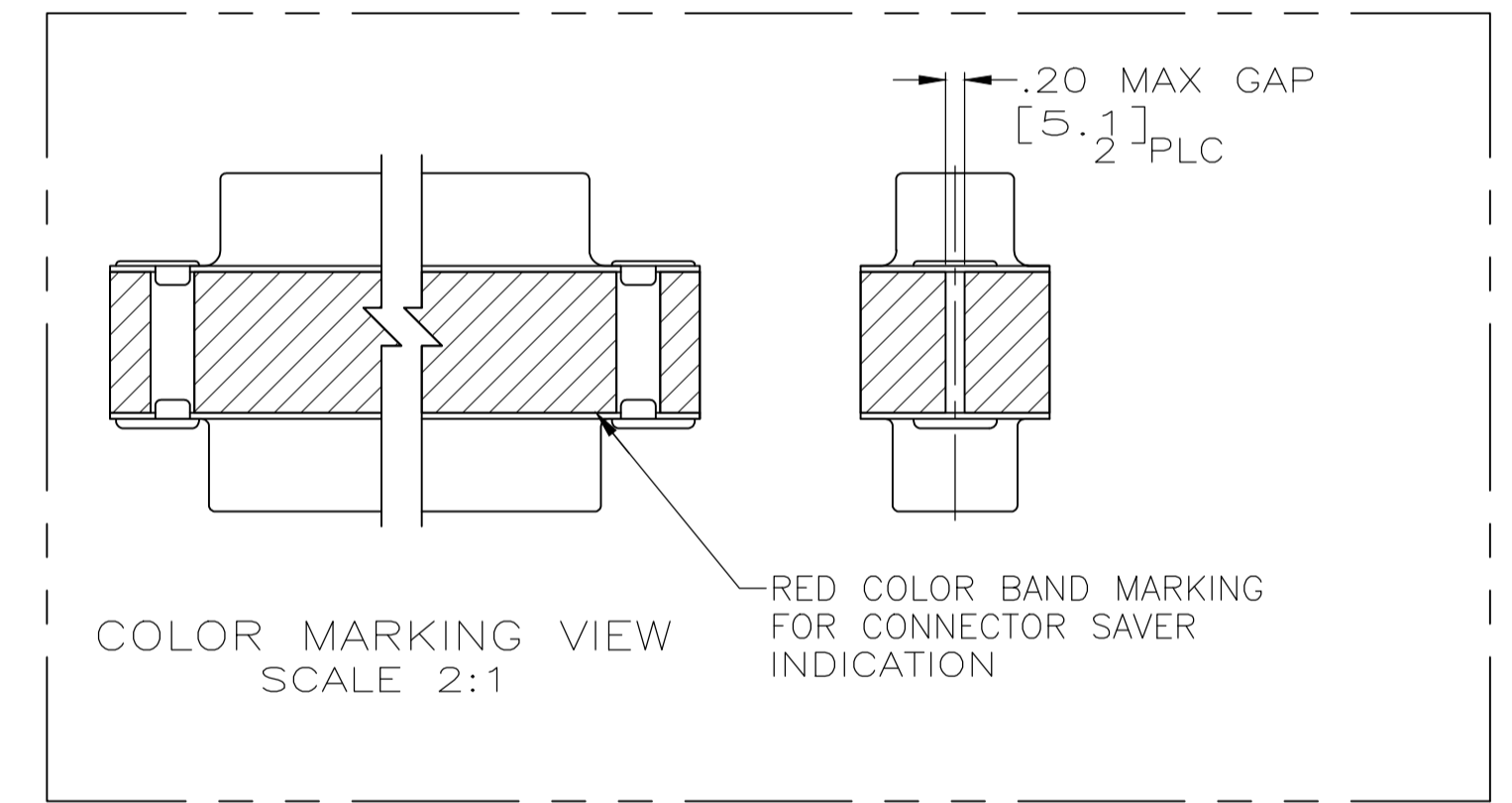


REVISIONS					
P	LTR	DESCRIPTION	DATE	DMN	APVD
E		REV PER ECO 19-019228	4-16-20	CT	DM



1. CONTACTS INCLUDED IN ASSEMBLY.
- ⚠ CONTACT
BODY MATL: BERYLLIUM COPPER PER ASTM-B-197.
BODY FINISH: PLATED GOLD, .000050 MIN THK PER MIL-G-45204 OVER NICKEL, .000050 MIN THK PER QQ-N-290.
HOOD MATL: STAINLESS STEEL PER ASTM-A-167.
HOOD FINISH: PASSIVATED PER ASTM-A-380
 - ⚠ MATL: BRASS PER ASTM-B-36.
 - ⚠ FINISH: PLATED GOLD, .000050 MIN THK PER MIL-G-45204 OVER COPPER, .000100 MIN THK PER MIL-C-14550.



⚠ ⚠	⚠ ⚠	⚠	4U884 SOCN R10002677-0002	1218304-2
⚠ ⚠	⚠ ⚠	⚠	(1J02-002)	1218304-1
EYELET	SHELLS	CONTACT	CUSTOMER P/N	PART NO.
THIS DRAWING IS A CONTROLLED DOCUMENT.		DIN T. THOMPSON 19AUG98		TE Connectivity AMPLIMITE CONNECTOR SAVER SERIES 109, SIZE 2, 15 POS NON-REMOVABLE CONTACTS
DIMENSIONS: INCHES		TOLERANCES UNLESS OTHERWISE SPECIFIED:		
		0 PLC ± - 1 PLC ± - 2 PLC ± - 3 PLC ± - 4 PLC ± - ANGLES ± -		APVD J. NORTON 19AUG98 PRODUCT SPEC APPLICATION SPEC SIZE CAGE CODE DRAWING NO WEIGHT 0.000000 A1 00779 C=1218304 CUSTOMER DRAWING SCALE 4:1 SHEET 1 OF 1 REV E

单击下面可查看定价，库存，交付和生命周期等信息

[>>TE Connectivity\(泰科\)](#)