

THIS DRAWING IS UNPUBLISHED.

RELEASED FOR PUBLICATION

20

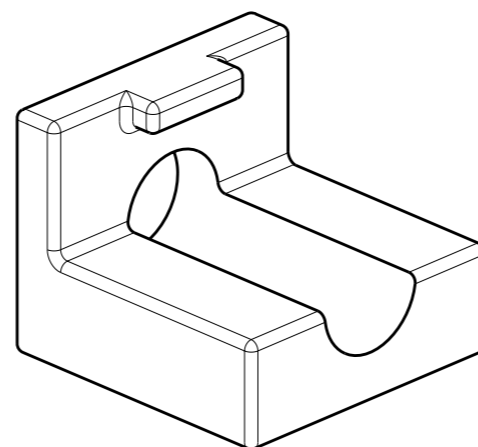
© COPYRIGHT 20 BY -

ALL RIGHTS RESERVED.

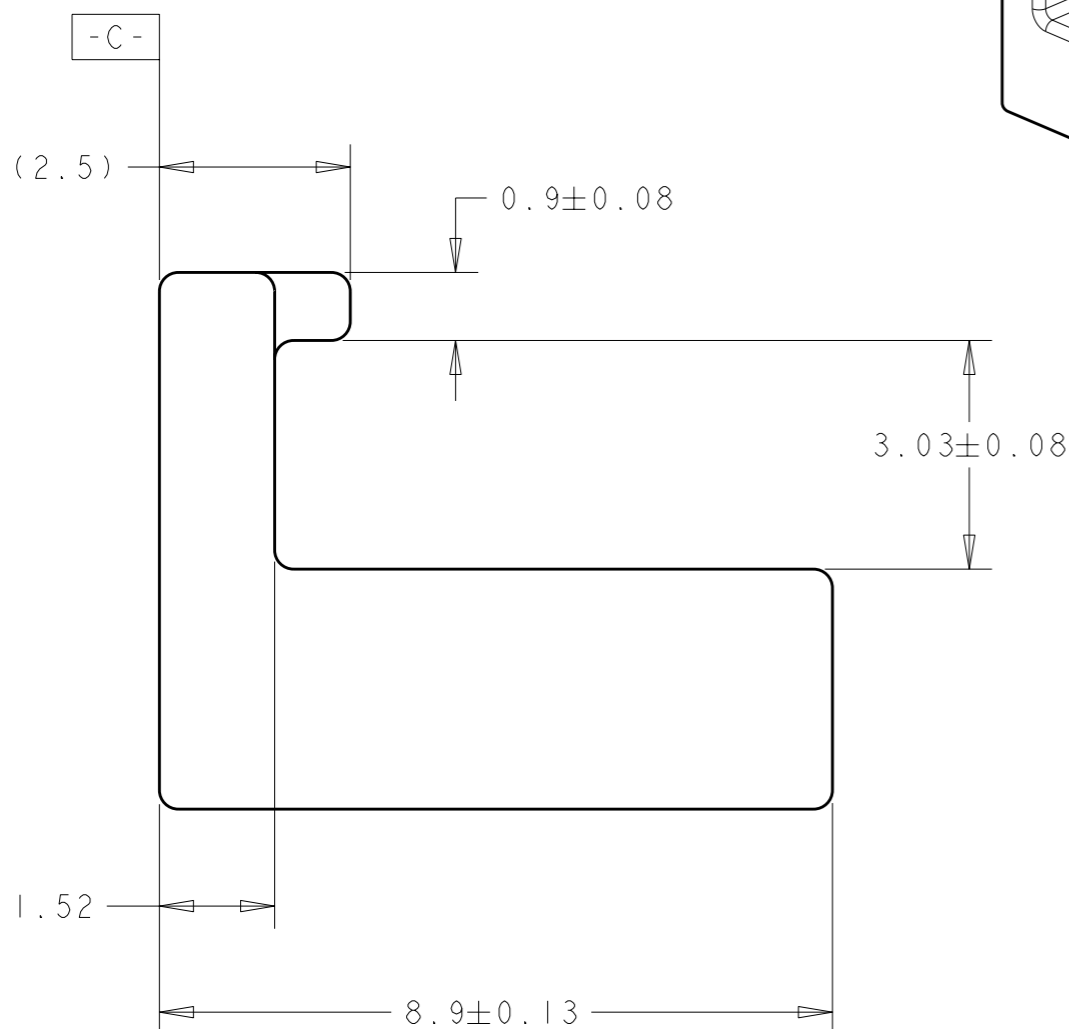
LOC GP DIST 00

REVISIONS

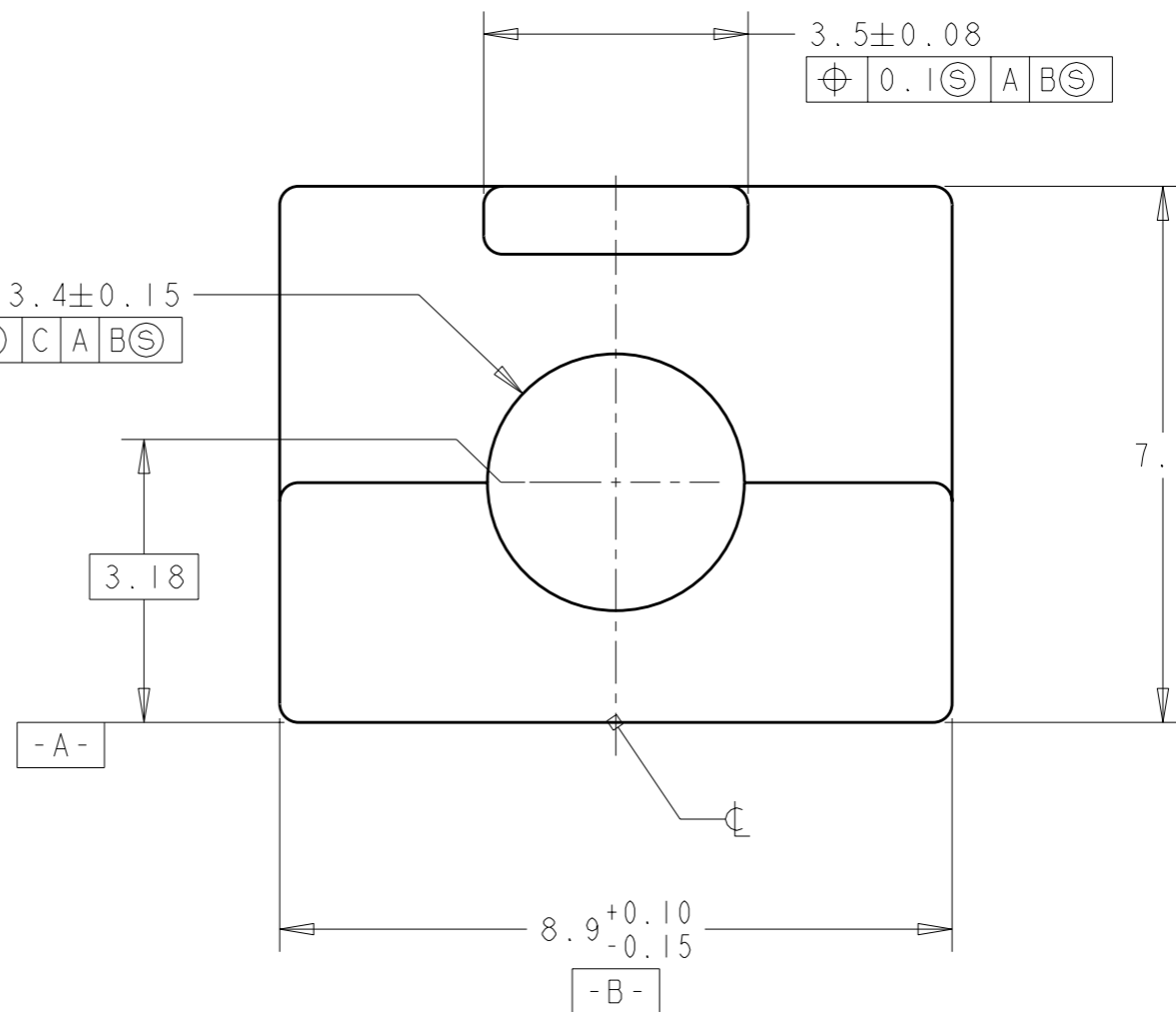
P	LTR	DESCRIPTION	DATE	DWN	APVD
	A	RELEASED PER ECO-12-006362	15MAY2012	CJV	MRS



SCALE 5:1



$\varnothing 3.4 \pm 0.15$
 $\varnothing 0.1 \text{ (S) C A B (S)}$



2110255-2

PART NUMBER

- ① ZINC ALLOY PER ASTM B 86, ALLOY AG40A
- ② 1.27µm MIN NICKEL PLATE PER QQ-N-290 OVER 5.08µm MIN COPPER PLATE PER AMS 2418

THIS DRAWING IS A CONTROLLED DOCUMENT.
 DIMENSIONING AND TOLERANCING
 PER ASME Y14.5M-2009

DIMENSIONS:	TOLERANCES UNLESS OTHERWISE SPECIFIED:
mm	
	0 PLC ±0.13
	1 PLC ±0.1
	2 PLC ±0.05
	3 PLC ±-
	4 PLC ±-
	ANGLES ±-

MATERIAL	FINISH
①	②

DWN	02FEB2009
M.E. COWHER	
CHK	02FEB2009
M.J. PHILLIPS	
APVD	02FEB2009
M.J. PHILLIPS	
PRODUCT SPEC	108-2399
APPLICATION SPEC	114-13263
WEIGHT	-
CUSTOMER DRAWING	

STE TE Connectivity

NAME INSERT, PLATFORM, GUIDE RAILS, 100 GIG PLUGGABLE

SIZE	CAGE CODE	DRAWING NO	RESTRICTED TO
A3	00779	C-2110255	-

SCALE 10:1 SHEET 1 OF 1 REV A

单击下面可查看定价，库存，交付和生命周期等信息

[>>TE Connectivity\(泰科\)](#)