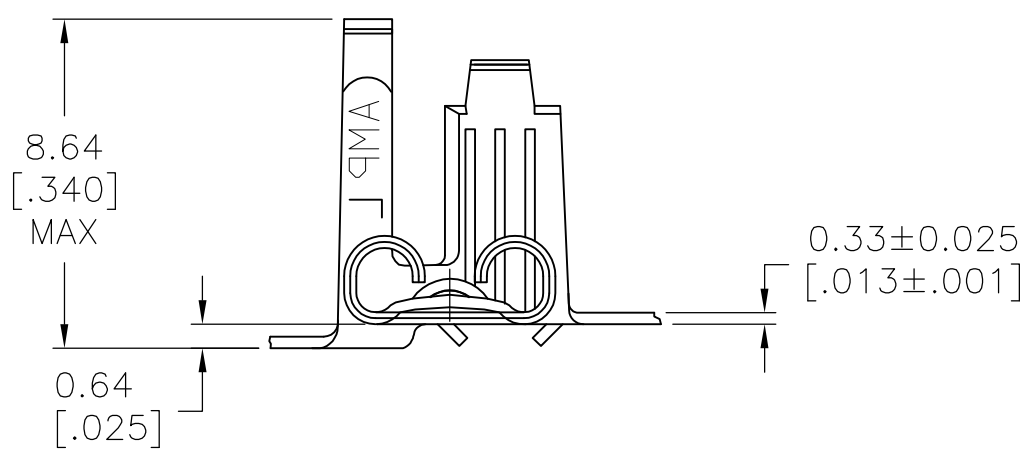
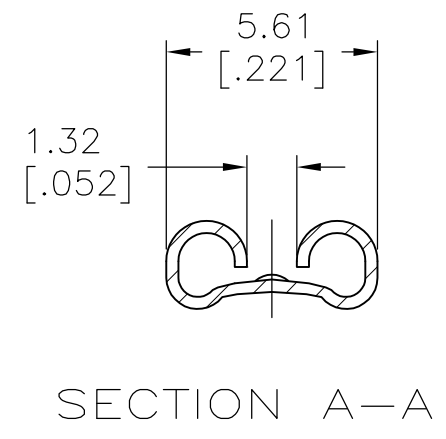
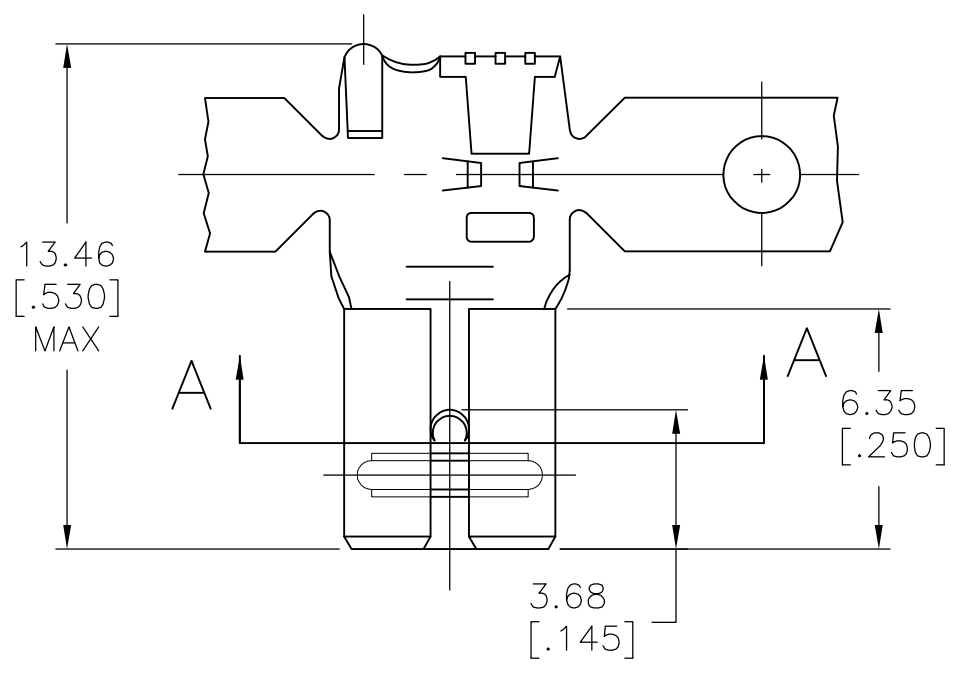



THIS DRAWING IS UNPUBLISHED. RELEASED FOR PUBLICATION  
 © COPYRIGHT - By - ALL RIGHTS RESERVED.

LOC		DIST		REVISIONS			
P	LTR	DESCRIPTION		DATE	DWN	APVD	
	G	REVISED PER ECR-12-013518		23NOV2012	KH	PD	

1. CONTINUOUS STRIP ON REELS.
2. ACCEPTS [#20-#16] AWG. WIRE SIZE
3. INSULATION RANGE TO BE 2.79-4.32 [.110-.170] DIA
4. FEED IS 16.51±0.076[.650±.003]



TIN	0.51±0.025 [.020±.001]	63476-2
-		63476-1
FINISH	MATING TAB THICKNESS	PART NO

THIS DRAWING IS A CONTROLLED DOCUMENT.		DWN	JR RUTH	10/23/87	 TE Connectivity NAME RECEPTACLE, LIF, FASTON, FLAG, 4.75 [.187] SERIES								
DIMENSIONS: mm [INCHES]		CHK	G YETTER	10/23/87									
TOLERANCES UNLESS OTHERWISE SPECIFIED:		APVD	R KUZO	10/23/87									
0 PLC ± - 1 PLC ± - 2 PLC ± 0.25 [.010] 3 PLC ± - 4 PLC ± - ANGLES ± -		PRODUCT SPEC	-	-									
MATERIAL	BRASS	FINISH	SEE TABLE	WEIGHT	-	SIZE	A3	CAGE CODE	00779	DRAWING NO	C-63476	RESTRICTED TO	-
CUSTOMER DRAWING						SCALE	5:1	SHEET	1 OF 1	REV	G		

单击下面可查看定价，库存，交付和生命周期等信息

[>>TE Connectivity\(泰科\)](#)