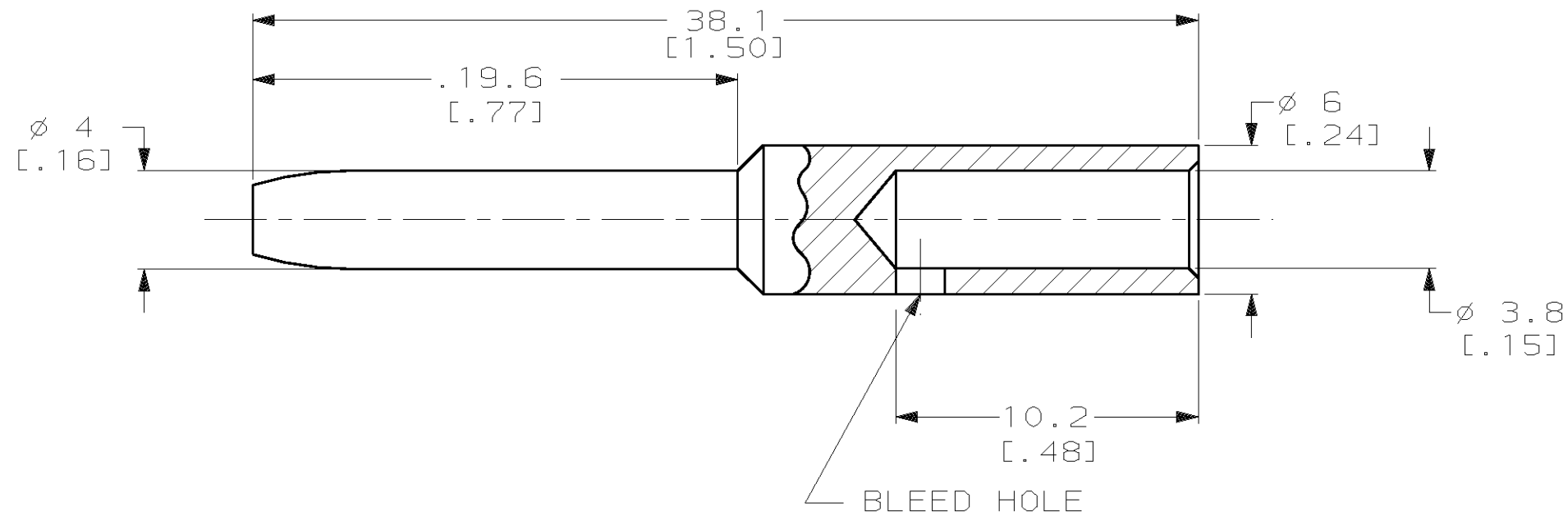
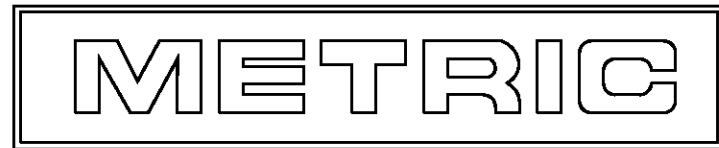


THIS DRAWING IS UNPUBLISHED. RELEASED FOR PUBLICATION, 19
 © COPYRIGHT 19 BY AMP INCORPORATED. ALL INTERNATIONAL RIGHTS RESERVED.

LOC	DIST	P	F	ZONE	LTR	DESCRIPTION	DATE	APPD
CH	11				B	ECN96050201 RE-ACTIVATE	05/MAY/96	-



WAS 09028



192179-1

PART NO

DO NOT SCALE PRINT. UNLESS SPECIFIED DIMENSIONS IN mm [INCHES] TOLERANCES ON: 1 PLC DEC \pm 0.5 [.02] 2 PLC DEC \pm 0.25 [.010] ANGLES \pm -	DR RA JAYNE 6-10-91
MATERIAL TeCu	CHK - APPD - APPD - PRODUCT SPEC - APPLICATION SPEC - WEIGHT -

AMP AMP Incorporated
Harrisburg, PA 17105-3608

NAME PIN, 4mm		
SIZE B	CAGE CODE 00779	DRAWING NO 192179
SCALE 4:1	SHEET 1 OF 1	

单击下面可查看定价，库存，交付和生命周期等信息

[>>TE Connectivity\(泰科\)](#)