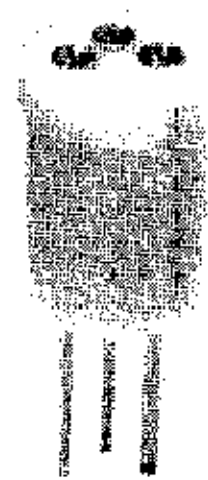


LOC AD	DIST 00	REVISIONS					
		P	LTR	DESCRIPTION	DATE	DWN	APVD
		A1		REVISED PER ECO-11-004587	21MAR11	RK	HMR

8058 & 8060 Series *Transistor Sockets*



8060-1G11



8060-1G6

FEATURES:

The 8058/8060 family of teflon sockets, with beryllium copper contacts, offers many features which allow them to be utilized in the most severe applications. Low profile for close board spacing, closed sleeve for 100% prevention of solder and flux wicking. A choice of many terminal styles for greater packaging selection and ease of use. Many of these sockets meet or exceed MIL-S-83502/2 and MIL-S-83502/5.



- Two-piece socket terminal - four fingered inner contact and machined outer sleeve
- Low profile for tight space applications
- Sockets accept 0,41/.016 to 0,51/.020 diameter leads
- Printed circuit, solder pocket and turret style terminations available
- Closed entry-design no distortion or damage to contact with misaligned or oversized leads

MATERIAL SPECIFICATIONS:

Insulator Teflon
 Sleeve Brass
 Contact Plating Beryllium copper
 Plating Contact gold, sleeve gold

PERFORMANCE SPECIFICATIONS:

MECHANICAL

Vibration Passed MIL-STD -1344, Method 2005, 15 G's, 10 to 2,000 cycles
 Mechanical Shock Passed MIL-STD -1344, Method 2004, 10 G's, 1 to 9,000 cycles
 Durability 50 Insertions and withdrawals, MIL-S-83502/ 1, Sec. 4.7.12
 Insertion Force 4.0 lb. max., .020 dia. +.0000 probe -.0002
 Withdrawal Force 14 Grams (1/2 oz.) min. .016 dia. +.0002 probe -.0001
 Solderability MIL-STD- 202, Method 208

ELECTRICAL

Bulk Contact Resistance 20 Milliohms max. per MIL-S-83502/1
 Current Rating 3 Amp DC, contact rating
 Operating Voltage 500 VDC @ atmospheric pressure
 Dielectric Withstanding Voltage 600 VAC per MIL-STD -1344 , Method 3001
 Insulation Resistance 2 x 10⁶ Megohms, MIL-STD -1344, Method 3003
 Capacitance 2 pF Max., MIL-STD -202, Method 305

ENVIRONMENTAL

Operating Temperature .. -55°C to +125°C
 Corrosive Atmosphere .. 30 milliohms, ammonium polysulfide 10 ppm per MIL-S-83502/1 Sec. 4.7.17
 Moisture Resistance 30 Milliohms max., MIL-STD -202, Method 106
 Thermal Shock MIL-STD -1344, Method 1003

Thomas & Betts

Quality & Innovation From **AUGAT**® Name Brand Products

H14

Thomas & Betts
 1555 Lynnfield Road
 Memphis, TN 38119
 (901) 682-8221 FAX (901) 537-8805

RELEASED FOR PUBLICATION

ALL RIGHTS RESERVED.

THIS DRAWING IS UNPUBLISHED.

© COPYRIGHT

DIMENSIONS: INCHES	DWN	R BROWN	28NOV2006	MATERIAL	-	FINISH	-
	CHK	K DeBOCK	28NOV2006	TE Connectivity			
TOLERANCES UNLESS OTHERWISE SPECIFIED:	APVD	K DeBOCK	28NOV2006				
0 PLC ± -	PRODUCT SPEC			NAME			
1 PLC ± -	-			SOCKET, 8 PIN PRINTED CIRCUIT			
2 PLC ± -	APPLICATION SPEC			SIZE	CAGE CODE	DRAWING NO	RESTRICTED TO
3 PLC ± -	-			A4	00779	1437508-5	-
4 PLC ± -	WEIGHT			CUSTOMER DRAWING			
ANGLES ± -	-			SCALE	NTS	SHEET	1 OF 4
			REV A1				

LOC	DIST	REVISIONS					
AD	00	P	LTR	DESCRIPTION	DATE	DWN	APVD
				SEE SHEET 1			

Transistor Sockets 8058 & 8060 Series

PART NUMBER / STANDARD CONFIGURATIONS

Part Number	Figure	No. of Contacts	Pin Circle	A	B	C	D*	E*	F Max.	Terminal Style	Mounting Hole	Transistor Lead Length	Polarization Figure
M8058-45G1	1	3	.200	.200	.265	.373	.410	.160	.406	Turret			
M8058-1G29	3	3	.200	.200	.270	.373	.410	.140	.351	Solder Pocket	B	.156/.218	N
8058-1G23	3	3	.200	.200	.270	.373	.410	.140	.351				
8058-1G23	4	3	.200	.200	.270	.373	.410	.302	.544				
M8058-1G23	4	3	.200	.200	.270	.373	.410	.302	N/A	Printed Circuit			
8058-1G59	6	3	.200	.200	.165	N/A	.410	.125	N/A				
8058-38G6	6	3	.200	.200	.165	N/A	.410	.315	N/A			.125/.155	P
8058-1G62	7	3	.200	.200	.270	.373	.410	.500	.703	Wirewrap			
M8058-45G2	1	4	.200	.200	.265	.373	.410	N/A	.406	Turret	B	.156/.218	
M8058-1G30	3	4	.200	.200	.265	.373	.410	.140	.377	Solder Pocket			
8058-1G30	3	4	.200	.200	.270	.373	.410	.140	.347				
M8058-1G24	4	4	.200	.200	.270	.373	.410	.347	.550	Printed Circuit			
8058-1G24	4	4	.200	.200	.270	.373	.410	.317	.550				
8058-1G63	7	4	.200	.200	.270	.373	.410	.500	.703	Wirewrap		.125/.155	
8058-1G58	2	5	.200	.200	.270	.373	.410	.094	.331	Turret			N
8058-1G61	3	5	.200	.200	.270	.373	.410	.140	.336	Solder Pocket	B	.156/.218	
M8058-1G39	2	6 at 45°	.200	.200	.270	.373	.410	.094	.300	Turret			
8058-1G43	3	6 at 60°	.200	.200	.270	.373	.410	.140	.370	Solder Pocket			
M8058-1G18	3	6 at 45°	.200	.200	.270	.373	.410	.140	.370				
8058-1G42	4	6 at 60°	.200	.200	.270	.373	.410	.317	.561	Printed Circuit			
M8058-1G33	4	6 at 45°	.200	.200	.270	.373	.410	.317	.561				
8058-1G48	6	6 at 60°	.200	.200	.165	N/A	.410	.125	N/A			.125/.155	P
8058-1G52	6	6 at 45°	.200	.200	.165	N/A	.410	.125	N/A				
M8058-1G37	2	8	.200	.200	.270	.373	.410	.094	.336	Turret	B	.156/.218	N
M8058-1G19	3	8	.200	.200	.270	.373	.410	.140	.377	Solder Pocket			
8058-1G19	3	8	.200	.200	.270	.373	.410	.140	.377				
8058-1G57	3	8	.200	.200	.270	.373	.410	.140	.315	Printed Circuit			
M8058-1G32	4	8	.200	.200	.270	.373	.410	.317	.550				
8058-1G32	4	8	.200	.200	.270	.373	.410	.317	.550				
8058-39G1	5	8	.200	.330	.375	.373	.410	.187	.505				
8058-39G3	5	8	.200	.380	.375	.373	.410	.150	.470				
8058-39G5	5	8	.200	.380	.375	.373	.410	.150	.470				
8058-1G49	6	8	.200	.200	.165	N/A	.410	.125	N/A				N/P
8058-1G47	2	8	.230	.230	.270	.373	.410	.094	.300	Turret	B	.125/.155	P
8058-1G46	3	8	.230	.230	.270	.373	.410	.138	.346	Solder Pocket			
8058-1G45	4	8	.230	.230	.270	.373	.410	.302	.534	Printed Circuit		.156/.218	N
8058-39G4	5	8	.230	.380	.375	.373	.410	.155	.467				
8058-39G6	5	8	.230	.380	.375	.373	.410	.150	.467				PN
8058-1G50	6	8	.230	.230	.165	N/A	.410	.125	N/A			.125/.165	P
M8058-1G38	2	10	.230	.230	.270	.373	.410	.094	.331	Turret	B	.156/.218	N
M8058-1G22	3	10	.230	.230	.270	.373	.410	.141	.377	Solder Pocket			
M8058-1G31	4	10	.230	.230	.270	.373	.410	.317	.561	Printed Circuit			
8058-1G31	4	10	.230	.230	.270	.373	.410	.317	.561				
8058-24G1	5	10	.230	.380	.375	.373	.410	.187	.505				
8058-1G34	6	10	.230	.230	.165	N/A	.410	.125	N/A			.125/.155	P
M8058-1G91	6	10	.230	.230	.165	N/A	.410	.125	N/A			.156/.218	N
8058-1G55	5	12	.250	.380	.375	.373	.410	.155	.467			.125/.155	P
8058-1G51	6	12	.280	.280	.165	N/A	.410	.125	N/A			.156/.218	N
												.125/.155	P

* Dimension E ± .031
(0,79)

↑
.155 should be .165

H

Need more technical information?
Consult your Thomas & Betts
sales office listed on the back cover

H15


Thomas & Betts
1555 Lynnfield Road
Memphis, TN 38119
(901) 682-8221 FAX (901) 537-8805

RELEASED FOR PUBLICATION

ALL RIGHTS RESERVED.

THIS DRAWING IS UNPUBLISHED.

© COPYRIGHT

DIMENSIONS:	DWN	28NOV2006	MATERIAL	FINISH
INCHES	R BROWN			
TOLERANCES UNLESS OTHERWISE SPECIFIED:	CHK	28NOV2006	 TE Connectivity	
0 PLC ± -	K DeBOCK			
1 PLC ± -	APVD	28NOV2006		
2 PLC ± -	K DeBOCK			
3 PLC ± -	PRODUCT SPEC		NAME	SOCKET, 8 PIN PRINTED CIRCUIT
4 PLC ± -	APPLICATION SPEC		SIZE	A4
ANGLES ± -	WEIGHT		CAGE CODE	00779
			DRAWING NO	1437508-5
			RESTRICTED TO	
			SCALE	NTS
			SHEET	2 OF 4
			REV	A1
CUSTOMER DRAWING				

LOC	DIST	REVISIONS					
AD	00	P	LTR	DESCRIPTION	DATE	DWN	APVD
		—		SEE SHEET 1	—	—	—

8058 & 8060 Series Transistor Sockets

PART NUMBER / STANDARD CONFIGURATIONS

Not met length

Part Number	Figure	Number of Contacts	Pin Circle	A	B	C	D	E*	F Max.	Terminal Style	Mtg. Hole Figure	Transistor Lead Length	Polarization Figure
8050-1G5	3	3	.100	.100	.268	.227	.255	.146	.350	Solder Pocket	A	.156/.218	N
8060-1G17	3	3	.100	.100	.320	.227	.255	.084	.427				
8060-1G9	2	3	.100	.100	.268	.227	.255	.094	.372	Turret			
8060-1G11	4	3	.100	.100	.330	.227	.255	.240	.580	Printed Circuit	—	.125/.155	P
8060-1G7	5	3	.100	.200	.410	.227	.255	.170	.616				
8060-1G3	6	3	.100	.150	.195	N/A	.255	.103	N/A				
8060-1G13	6	3	.100	.100	.195	N/A	.255	.103	N/A	Solder Pocket	A	.156/.218	N
8060-1G6	3	4	.100	.100	.265	.227	.255	.146	.350				
8060-1G10	2	4	.100	.100	.265	.227	.255	.094	.310	Turret			
8060-1G12	4	4	.100	.100	.330	.227	.255	.240	.553	Printed Circuit	—	.125/.155	P
8050-1G8	5	4	.100	.200	.390	.227	.255	.187	.530				
8060-1G4	6	4	.100	.150	.195	N/A	.255	.103	N/A				
8060-1G22	6	4	.100	.100	.195	N/A	.255	.295	N/A				

* Dimension E ± .031 (0,79)

All part number prefixed with (M) meet MIL-83502/1 or MIL-83502/6.



Thomas & Betts

Quality & Innovation From **AUGAT**® Name Brand Products

H16

Thomas & Betts
1555 Lynnfield Road
Memphis, TN 38119
(901) 682-8221 FAX (901) 537-8805

RELEASED FOR PUBLICATION

ALL RIGHTS RESERVED.

THIS DRAWING IS UNPUBLISHED.

© COPYRIGHT

DIMENSIONS: INCHES	DWN	R BROWN	28NOV2006	MATERIAL	—	FINISH	—
	CHK	K DeBOCK	28NOV2006				
TOLERANCES UNLESS OTHERWISE SPECIFIED:	APVD	K DeBOCK	28NOV2006				
0 PLC ± —	PRODUCT SPEC			NAME			
1 PLC ± —	—			SOCKET, 8 PIN PRINTED CIRCUIT			
2 PLC ± —	APPLICATION SPEC			SIZE	CAGE CODE	DRAWING NO	RESTRICTED TO
3 PLC ± —	—			A4	00779	© 1437508-5	—
4 PLC ± —	WEIGHT			CUSTOMER DRAWING			
ANGLES ± —	—			SCALE	NTS	SHEET	3 OF 4
			REV A1				

LOC AD	DIST 00	REVISIONS					
		P	LTR	DESCRIPTION	DATE	DWN	APVD
			—	SEE SHEET 1	—	—	—

Transistor Sockets 8058 & 8060 Series

Figure A
Recommended Chassis Cutout
for all 8060 Series panel
mount applications

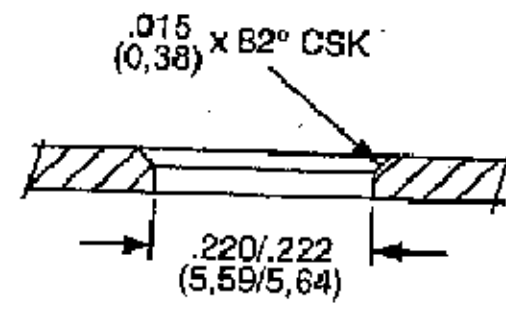


Figure B
Recommended Chassis Cutout
for all 8058 Series panel
mount applications

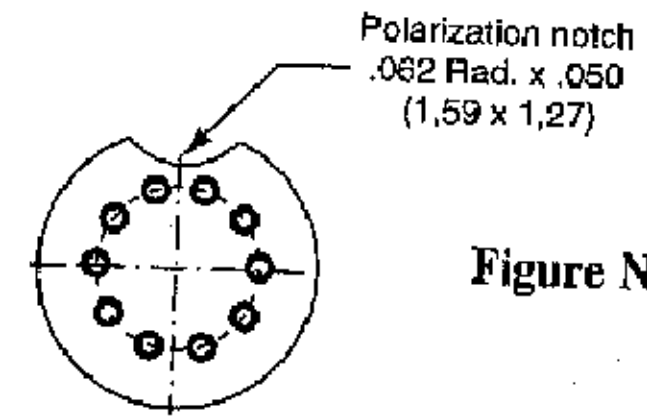
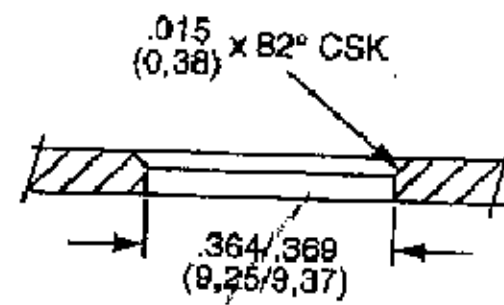


Figure N

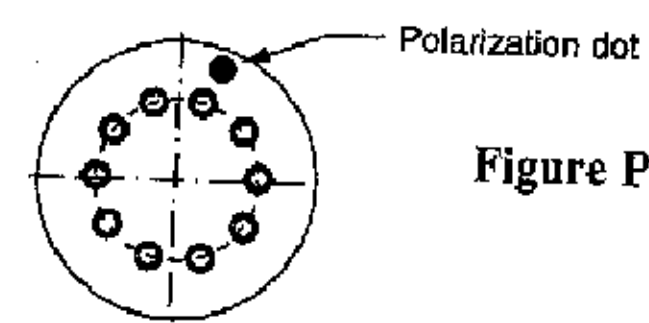


Figure P

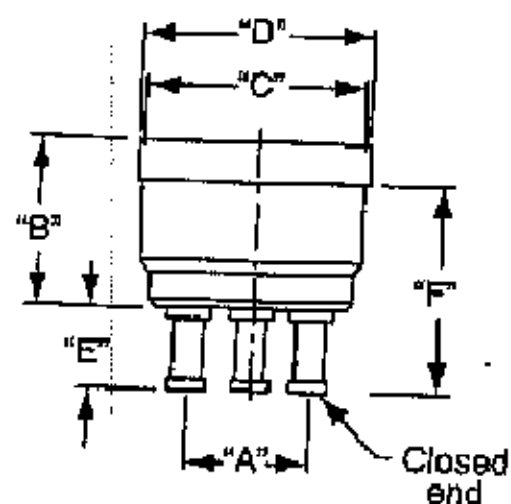


Figure 1

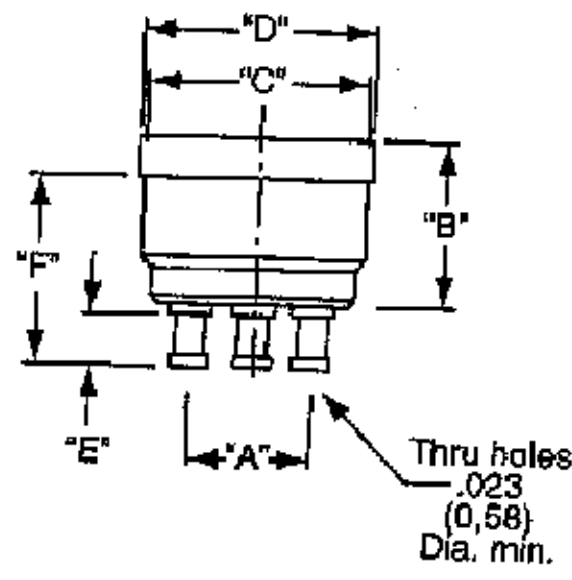


Figure 2

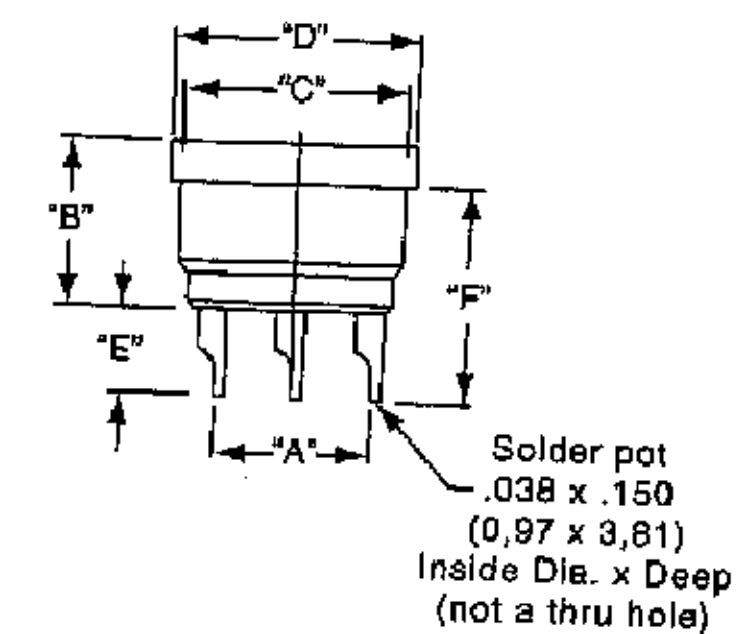


Figure 3

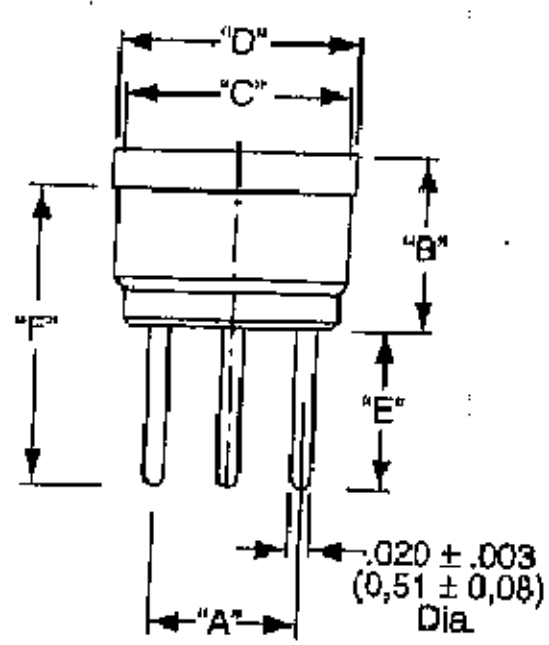


Figure 4

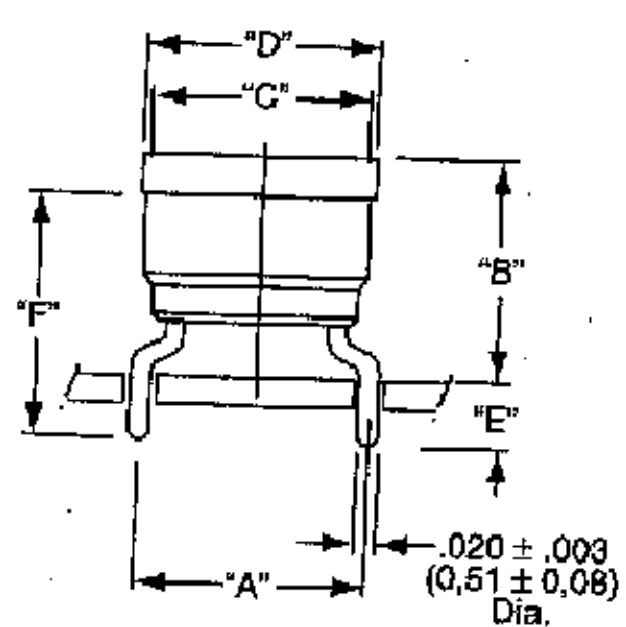


Figure 5

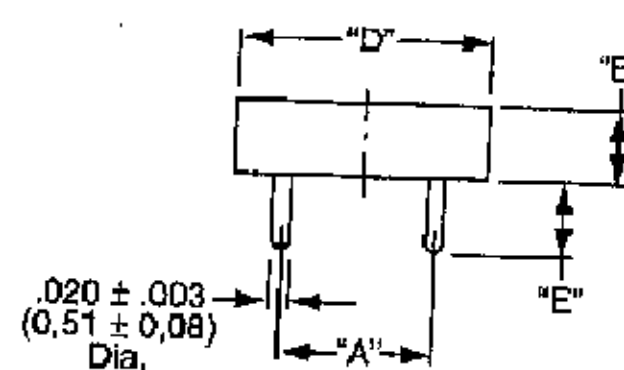


Figure 6

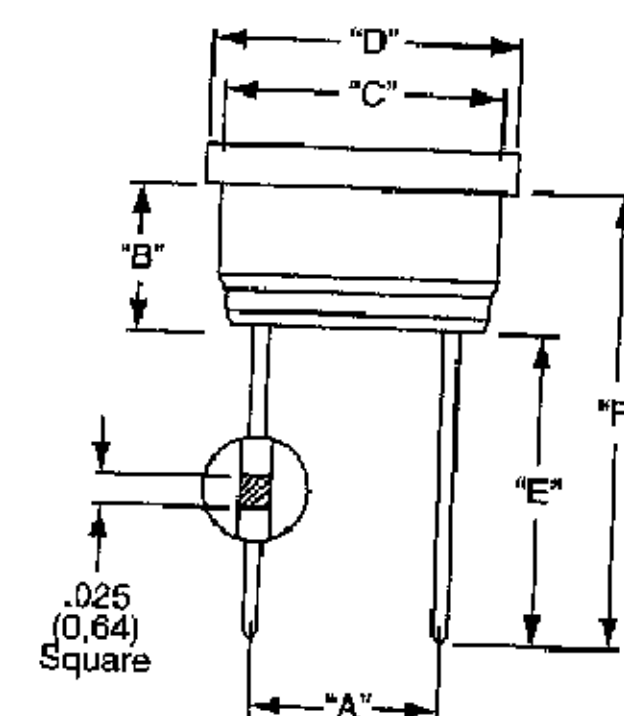


Figure 7

H

Need more technical information?
Consult your Thomas & Betts
sales office listed on the back cover

H17


Thomas & Betts
1555 Lynnfield Road
Memphis, TN 38119
(901) 682-8221 FAX (901) 537-8805

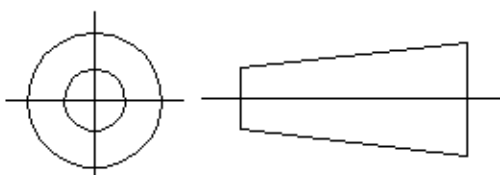
RELEASED FOR PUBLICATION

ALL RIGHTS RESERVED.

THIS DRAWING IS UNPUBLISHED.

© COPYRIGHT

DIMENSIONS: INCHES	DWN	R BROWN	28NOV2006	MATERIAL	—	FINISH	—
	CHK	K DeBOCK	28NOV2006	 TE Connectivity			
TOLERANCES UNLESS OTHERWISE SPECIFIED:	APVD	K DeBOCK	28NOV2006				
	PRODUCT SPEC	—		SOCKET, 8 PIN PRINTED CIRCUIT			
0 PLC ± —	APPLICATION SPEC	—		SIZE	A4	CAGE CODE	00779
1 PLC ± —	WEIGHT	—		DRAWING NO	C= 1437508-5		RESTRICTED TO
2 PLC ± —	CUSTOMER DRAWING			SCALE	NTS		SHEET
3 PLC ± —				4 OF 4		REV	A1
4 PLC ± —							
ANGLES ± —							



单击下面可查看定价，库存，交付和生命周期等信息

[>>TE Connectivity\(泰科\)](#)