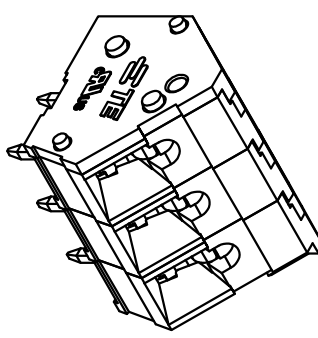


PCB Layout



REV	DATE	BY	APP'D	DESCRIPTION
1				REVISED FOR INFORMATION

④	SPRING	284078-7
③	COVER	284078-6
②	CONTACT	284078-5
①	HOUSING	284078-4

NO. OF POSITIONS	PART NO
4 POSN	284078-3
3 POSN	284078-2
2 POSN	284078-1

THIS DRAWING IS A CONTROLLED DOCUMENT. THIS DRAWING IS UNCLASSIFIED RELEASED FOR INFORMATION ALL RIGHTS RESERVED © COPYRIGHT BY STI

<p>STI TE Connectivity</p> <p>500mm 45° Entry Screwless Connector</p>	<p>DATE: 07/99</p> <p>REV: A</p>
---	----------------------------------

- NOTES :
1. MATERIALS AND FINISH:
 - HOUSING: PA66
 - CONTACTS: BRASS, FINISH: TIN OVER NICKEL UNDERPLATE
 2. MUST COMPLY WITH DIRECTIVE 2002/95/EC (RoHS)
 3. WIRE TYPES AND SIZES ACCEPTED
 4. WIRE RANGE: 14AWG~28AWG.
 5. STRIP LENGTH: 10mm
 6. PACKAGED IN TRAY.
 7. CURRENT RATING: 16amp AC300V.
 8. OPERATION TEMPERATURE: -40°C TO +105°C
 9. THIS PART NO. IS THE SAME STRUCTURE AS THE SERIES: 2834078
 10. THE DATASHEET AND MORE DETAILS PLEASE FOLLOW THE SERIES: 2834078

单击下面可查看定价，库存，交付和生命周期等信息

[>>TE Connectivity\(泰科\)](#)