

THIS DRAWING IS UNPUBLISHED.

RELEASED FOR PUBLICATION

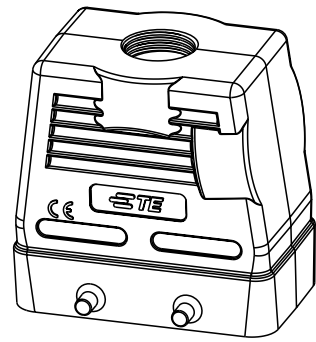
20

© COPYRIGHT 20 BY -

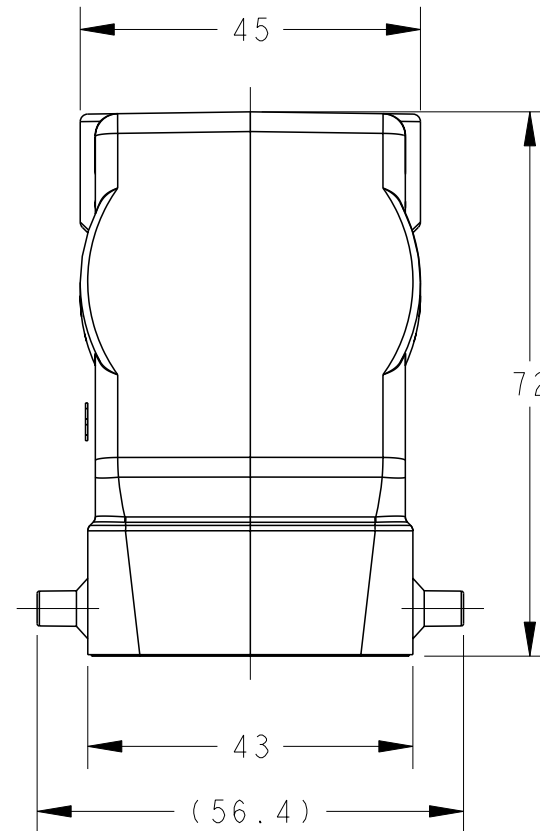
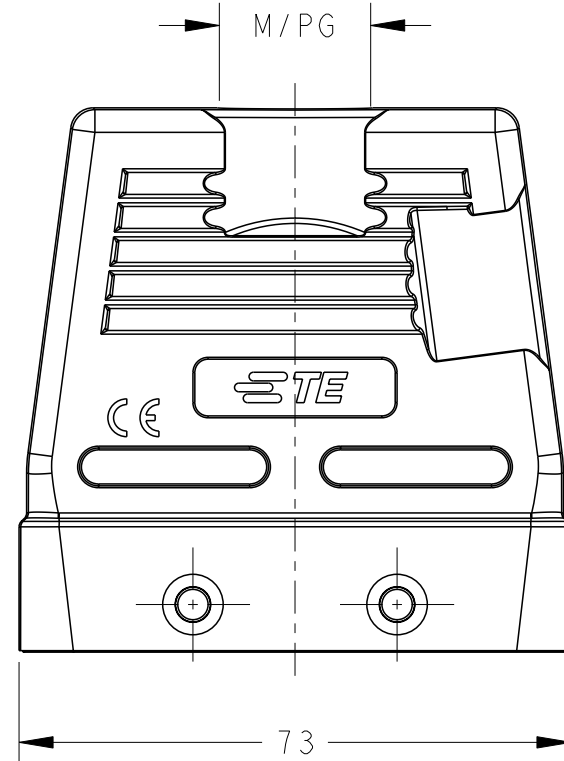
ALL RIGHTS RESERVED.

REVISIONS

P	LTR	DESCRIPTION	DATE	DWN	APVD
	A	INITIAL	11JUN2015	DW	CW
	B	ECR-20-008181	28JUN2020	WQR	CW
	B1	ECR-21-103925	01JUN2021	WQR	CW



SCALE 1:2

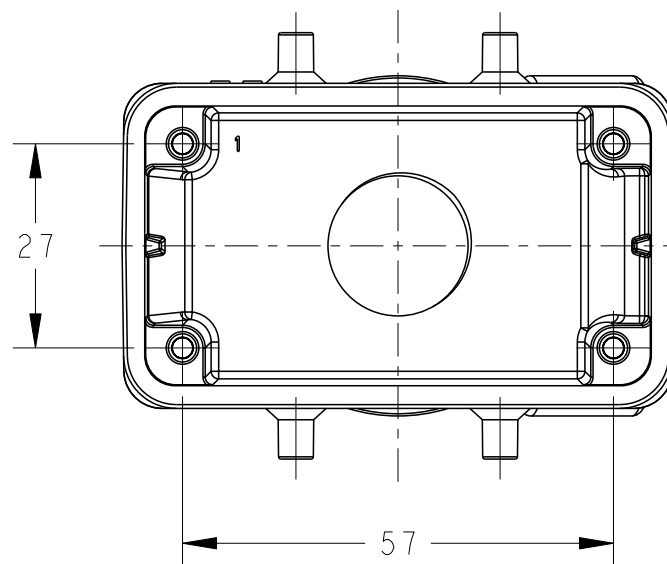


NOTES:

- 1. TECHNICAL CHARACTERISTICS:
HOOD MATERIAL: DIE CAST ALUMINIUM ALLOY
SURFACE: POWDER COATED, GREY
DEGREE OF PROTECTION: IP65 (MATED)

注释:

- 1. 技术参数:
上壳材料: 铝合金
表面处理: 粉末涂层, 灰色
防护等级: IP65(配合)



4X M3
THREAD

T1240100116-000	H10B-TGH-PG16	HIGH CONSTRUCTION	PG16
T1240100120-000	H10B-TGH-M20		M20
T1240100121-000	H10B-TGH-PG21		PG21
T1240100125-000	H10B-TGH-M25		M25
T1240100129-000	H10B-TGH-PG29		PG29
T1240100130-000	H10B-TGH-M30		M30
T1240100132-000	H10B-TGH-M32		M32
T1240100140-000	H10B-TGH-M40		M40
PART NUMBER	DESCRIPTION	TYPE	THREAD M/PG

THIS DRAWING IS A CONTROLLED DOCUMENT.

DIMENSIONS:	TOLERANCES UNLESS OTHERWISE SPECIFIED:
mm	
	0 PLC ±-
	1 PLC ±-
	2 PLC ±-
	3 PLC ±-
	4 PLC ±-
	ANGLES ±-
MATERIAL	FINISH
-	-
-	-

DWN	11JUN2015
David Wang	
CHK	11JUN2015
Chris Wang	
APVD	11JUN2015
Xiang Xu	
PRODUCT SPEC	108-137013
APPLICATION SPEC	114-137013
WEIGHT	-
Customer Drawing	

		TE Connectivity	
		NAME H10B-TGH-M/PG	
SIZE	CAGE CODE	DRAWING NO	RESTRICTED TO
A3	00779	©-T12401001XX000	-
SCALE 1:1		SHEET 1 OF 1	REV B1

printed on 17 Jun 2021 10:20 (China Standard Time) from TE343646

单击下面可查看定价，库存，交付和生命周期等信息

[>>TE Connectivity\(泰科\)](#)