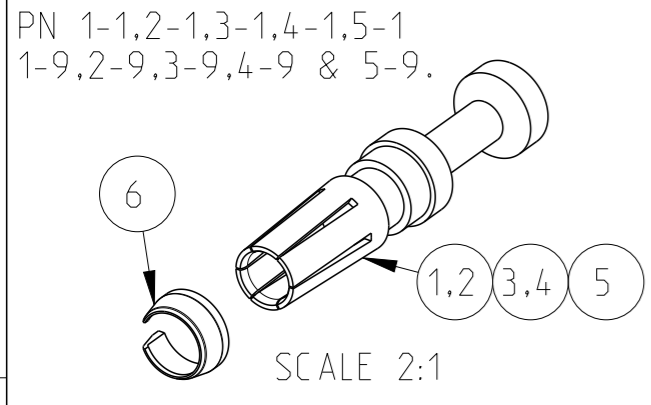
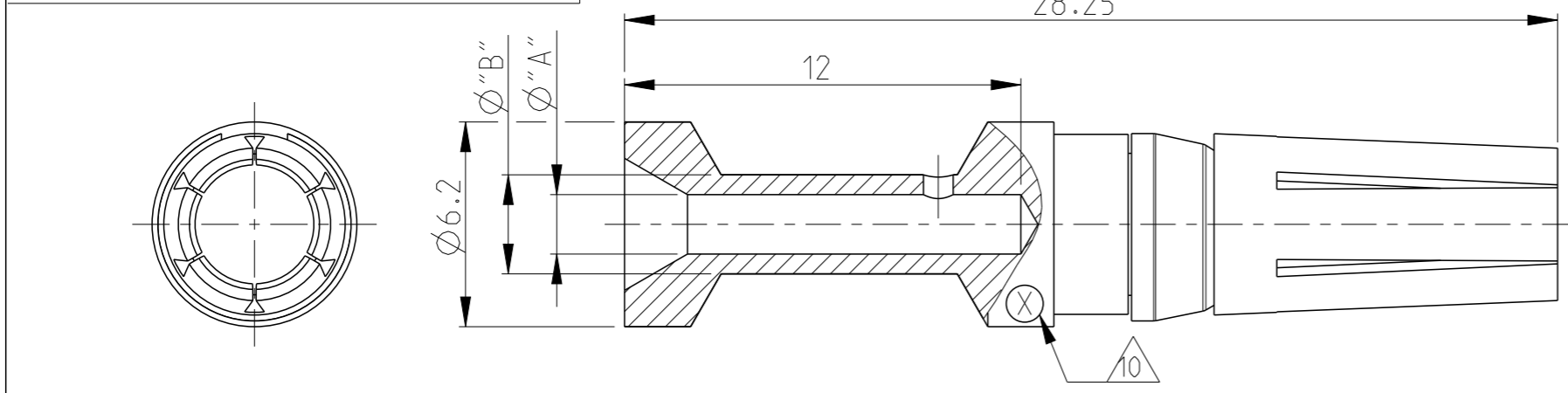


THIS DRAWING IS UNPUBLISHED. RELEASED FOR PUBLICATION 2006
 © COPYRIGHT 2006 BY - ALL RIGHTS RESERVED.

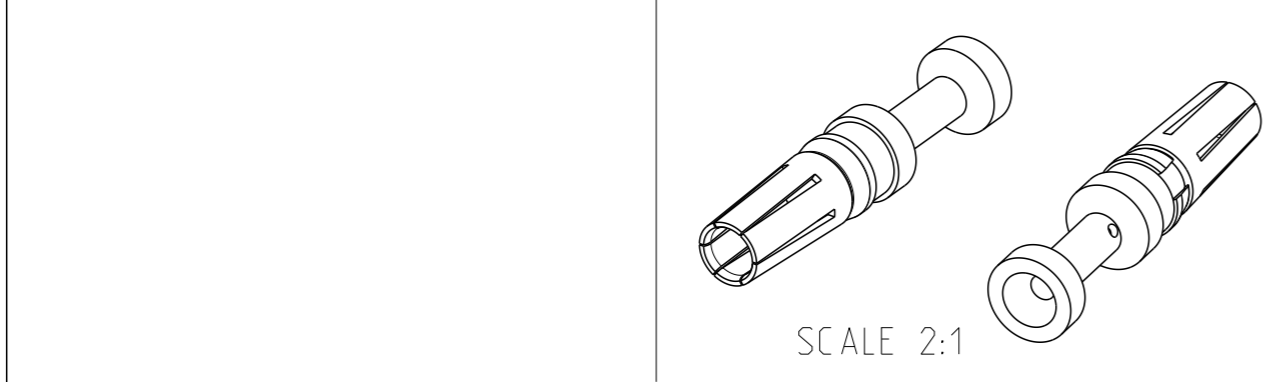
LOC	DIST	REVISIONS					
A1	-	P	LTR	DESCRIPTION	DATE	DWN	APVD
		A7		ECR-14-012792	30AUG2014	RK	MKO



- Notes
- 1 MATERIAL: BRASS
 - 2 FINISH SILVER PLATING: 2µm Ag MIN. OVER Cu
 - 3 ASSEMBLY WEIGHT SEE TABLE. VOLUME: 479mm³ (APPROX.)
 - 4 PACKAGING: 25 PIECES IN A POLY-BAG AND CARTON
 - 5 SUITABLE SOCKET CONTACT: PN 1108756
 - 6 SUITABLE INSERTS: SERIES HSK
 - 7 SUITABLE CRIMPING TOOL: PN 1-1105850-8
 - 8 SUITABLE INSERTION TOOL: PN 0-1102855-6
 - 9 SUITABLE EXTRACTION TOOL: PN 0-1102855-8
 - 10 CROSS-SECTION MARKING
 - 11 STANDARDS: DIN EN 61984, DIN EN 60664-1



1	1	1	1	1	1	1	1	1	1	Ni	CLIP	-	-	-	-	6		
1					1					Ag 2	SOCKET CONTACT	10	0.0030	4.35	5.9	8	12	5
	1					1					SOCKET CONTACT	6.0	0.0029	3.5	4.9	7	12	4
		1					1				SOCKET CONTACT	4.0	0.0027	2.85	3.9	6	12	3
			1					1			SOCKET CONTACT	2.5	0.0028	2.2	3.2	5	12	2
				1					1		SOCKET CONTACT	1.5	0.0028	1.8	3.0	4	12	1
5-9	4-9	3-9	2-9	1-9	5-1	4-1	3-1	2-1	1-1		[MM ²]			"A"	"B"	CROSS-SECTION MARKINGS	(MM)	ITEM NO
HS.K-C-Bu.Ag 10mm ²	HS.K-C-Bu.Ag 6mm ²	HS.K-C-Bu.Ag 4mm ²	HS.K-C-Bu.Ag 2.5mm ²	HS.K-C-Bu.Ag 1.5mm ²	HS.K-C-Bu.Ag 10mm ²	HS.K-C-Bu.Ag 6mm ²	HS.K-C-Bu.Ag 4mm ²	HS.K-C-Bu.Ag 2.5mm ²	HS.K-C-Bu.Ag 1.5mm ²	PLATING	DESCRIPTION	CROSS SECTION	WEIGHT IN (Kg)	DIMENSIONS		CROSS-SECTION MARKINGS	STRIPPING-LENGTH	
4	4	4	4	4	4	4	4	4	4				3			10		



THIS DRAWING IS A CONTROLLED DOCUMENT.

DIMENSIONS: mm

TOLERANCES UNLESS OTHERWISE SPECIFIED:
 0 PLC ±
 1 PLC ±
 2 PLC ±
 3 PLC ±
 4 PLC ±
 ANGLES ±

MATERIAL 1 FINISH 2

DWN SCHWEIGER 03Mar2008
 CHK H.BRAUN 03Mar2008
 APVD T. SCHNURPFIL 03Mar2008

NAME: SOCKET CONTACT SERIES HSK

PRODUCT SPEC: 108-74004
 APPLICATION SPEC: 114-74003
 WEIGHT: -

Customer Drawing

SCALE 5:1 SHEET 1 OF 1 REV A7

SIZE A3 CAGE CODE 00779 DRAWING NO C=1108756 RESTRICTED TO -

单击下面可查看定价，库存，交付和生命周期等信息

[>>TE Connectivity\(泰科\)](#)