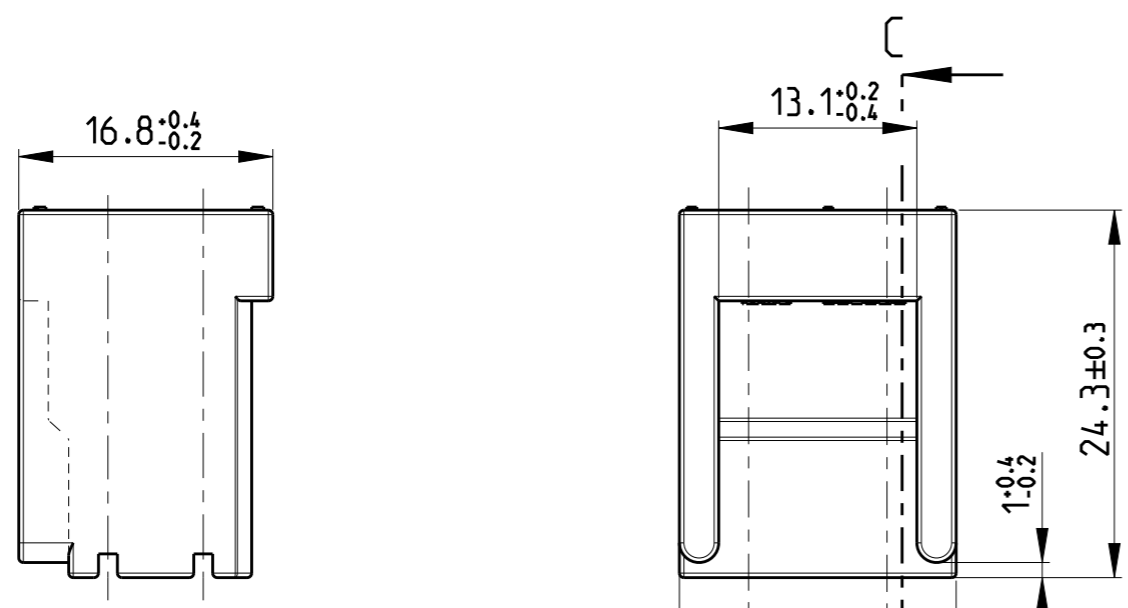
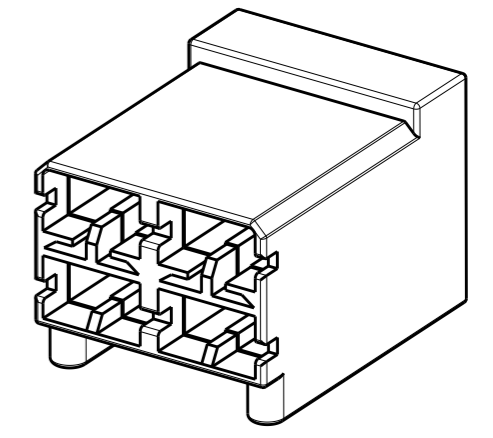
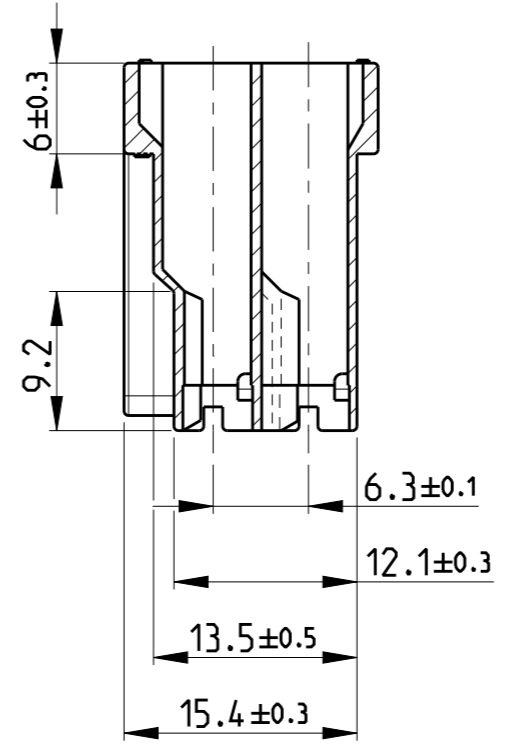


THIS DRAWING IS UNPUBLISHED. RELEASED FOR PUBLICATION 20
 © COPYRIGHT 20 BY TYCO ELECTRONICS CORPORATION. ALL RIGHTS RESERVED.

LOC	DIST	REVISIONS					
		P	LTR	DESCRIPTION	DATE	DWN	APVD
A1	-		1	-3 of u.-4 natur ergänzt	29SEP1986	-	-
			2	-5 gelb ergänzt	24NOV1986		
			B	DATA IN CAD	02JUN2008		
			B1	REVISED PER ECR-19-012306	26MAR2020	SS	DL

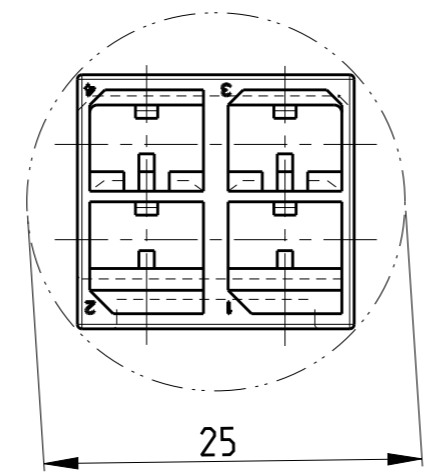
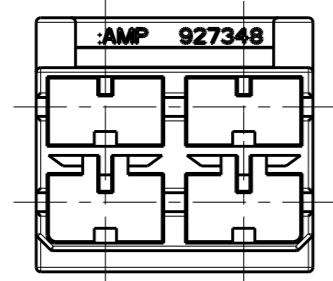


Schnitt C-C
SECTION M 2:1



war 82-9388
WAS

Ansicht X
VIEW



Bemerkungen:
NOTES

Nicht bemaßte Wanddicken
NOT SPECIFIED WALL THICKNESS $0.9^{+0.2}_{-0.4}$

Nicht bemaßte Radien
NOT SPECIFIED RADII $R0.3^{+0.2}$

1 OBSOLETE PART

①	②	REV.	MATERIAL	COLOUR
	927348-5	B	PA 6.6	YELLOW
	927348-4	B	PA 6.6	NATURAL
①	927348-3	B	PA 6.6	RED
	927348-2	B	PA 6.6	GREY
	927348-1	B	PA 6.6	BLACK
	ORDER NO.	REV.	MATERIAL	COLOUR

<small>THIS DRAWING IS A CONTROLLED DOCUMENT FOR TYCO ELECTRONICS CORPORATION IT IS SUBJECT TO CHANGE AND THE CONTROLLING ENGINEERING ORGANIZATION SHOULD BE CONTACTED FOR THE LATEST REVISION.</small>		DWN PETTE 07OCT1982 CHK ULLRICH 08OCT1982 APVD - PRODUCT SPEC - APPLICATION SPEC - WEIGHT -		Tyco Electronics Tyco Electronics AMP GmbH 64625 Bensheim (Germany)	
DIMENSIONS: mm 		TOLERANCES UNLESS OTHERWISE SPECIFIED: ± 0.2 0 PLC \pm 1 PLC \pm 2 PLC \pm 3 PLC \pm 4 PLC \pm ANGLES $\pm 1.5^\circ$		NAME 4 POS. POSITIVE LOCK HOUSING SERIES 6.3 (.250)	
MATERIAL - FINISH -		CUSTOMER DRAWING		SIZE A3 CAGE CODE 00779 DRAWING NO. C-927348	RESTRICTED TO
SCALE 2:1				SHEET 1 OF 1	REV B1

单击下面可查看定价，库存，交付和生命周期等信息

[>>TE Connectivity\(泰科\)](#)