

4

3

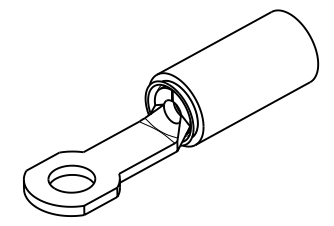
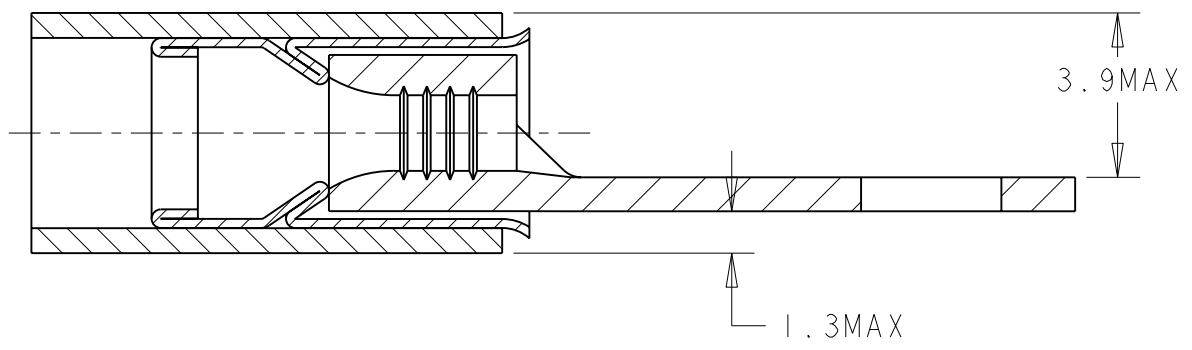
2

1

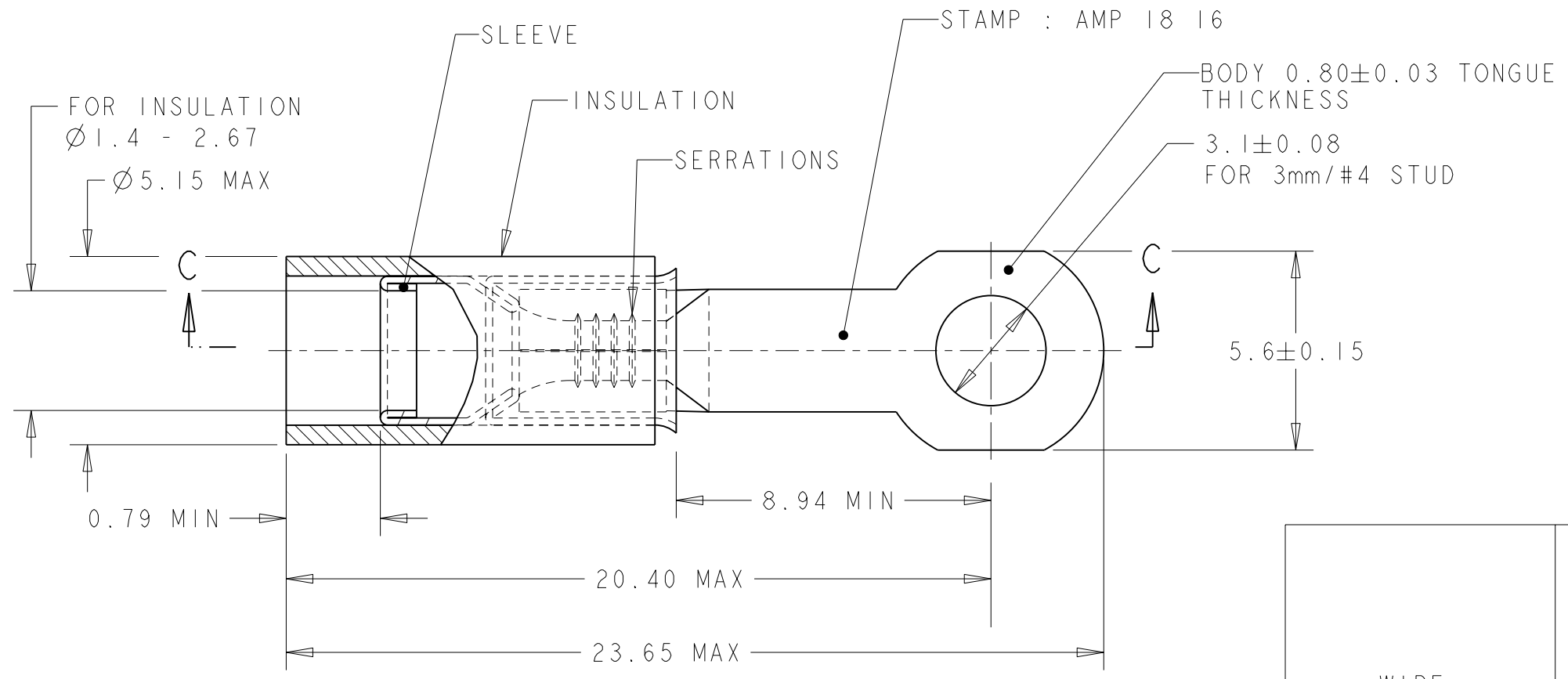
THIS DRAWING IS UNPUBLISHED. RELEASED FOR PUBLICATION 20  
 © COPYRIGHT 20 BY TYCO ELECTRONICS CORPORATION. ALL RIGHTS RESERVED.

LOC	DIST	REVISIONS			
P	LTR	DESCRIPTION	DATE	DWN	APVD
F	00	A	NEW RELEASE	25MAR2008	PK YP
		B	DRAWING UPDATE ECR 09-013349	15JUNE2009	C.G. G.M.
		BI	ECR-11-000339	07JAN2011	SC KRS

COUPE C-C



SCALE 2:1



WIRE TERMINAL	1577964-1	BODY : COPPER ANNEALED FINISH : NICKEL PLATED
		SLEEVE : COPPER ANNEALED FINISH : NICKEL PLATED
		INSULATION : PEEK COLOR : ORANGE
DESCRIPTION	PART NUMBER	MATERIAL & FINISH

THIS DRAWING IS A CONTROLLED DOCUMENT FOR TYCO ELECTRONICS CORPORATION. IT IS SUBJECT TO CHANGE AND THE CONTROLLING ENGINEERING ORGANIZATION SHOULD BE CONTACTED FOR THE LATEST REVISION.		DWN 25MAR2008 PRAVEEN K	Tyco Electronics France SAS 95300 Pontoise, France	
DIMENSIONS: mm		CHK 25MAR2008 G. ROBERT		
TOLERANCES UNLESS OTHERWISE SPECIFIED:		APVD 25MAR2008 Y. PETRONIN	NAME TERMINAL, PEEK PIDG STRATO, 18-16 AWG	
0 PLC ±-		PRODUCT SPEC 108-15356	SIZE CAGE CODE DRAWING NO RESTRICTED TO	
1 PLC ±0.3		APPLICATION SPEC 114-15102	A300779 C=1577964	
2 PLC ±-		WEIGHT 1,34 gr	SCALE 6:1 SHEET 1 OF 1 REV BI	
3 PLC ±-		CUSTOMER DRAWING		
4 PLC ±-				
ANGLES ±5				
FINISH SEE TABLE				

单击下面可查看定价，库存，交付和生命周期等信息

[>>TE Connectivity\(泰科\)](#)