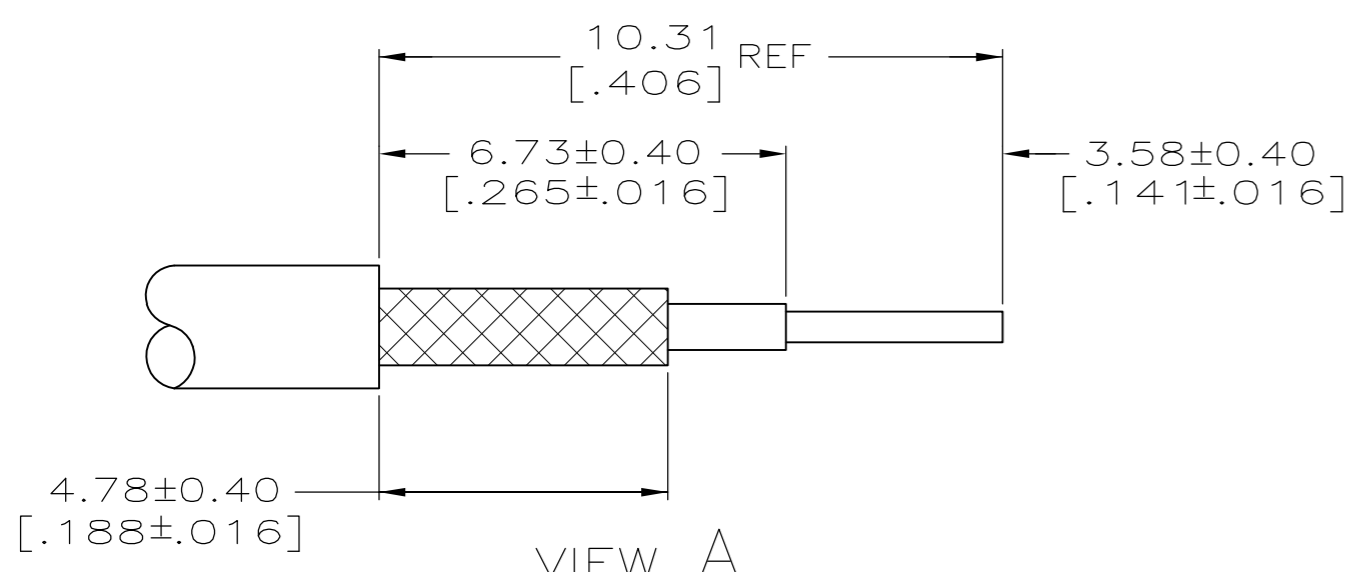
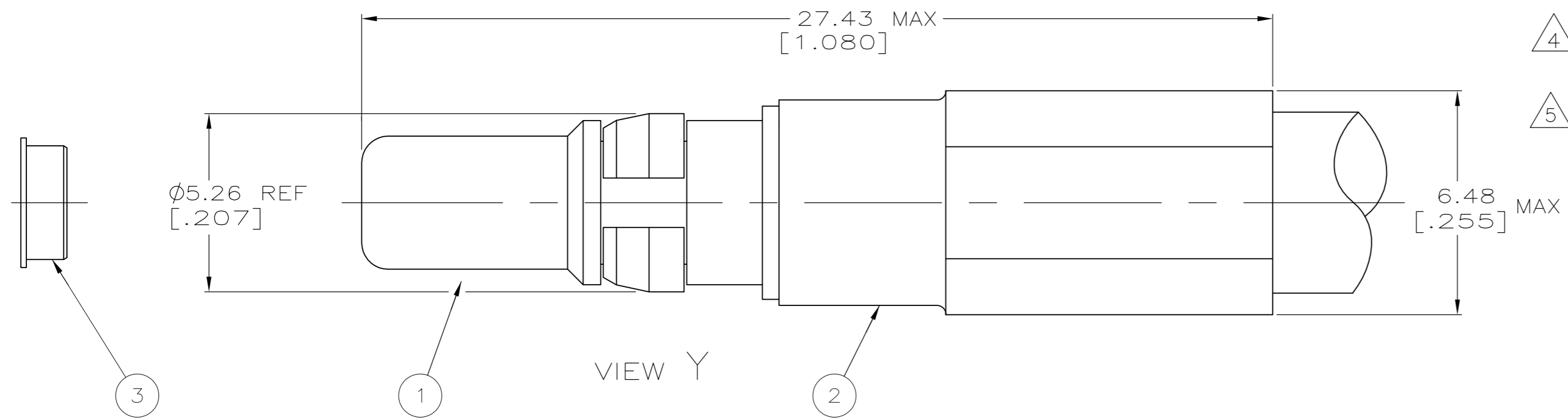
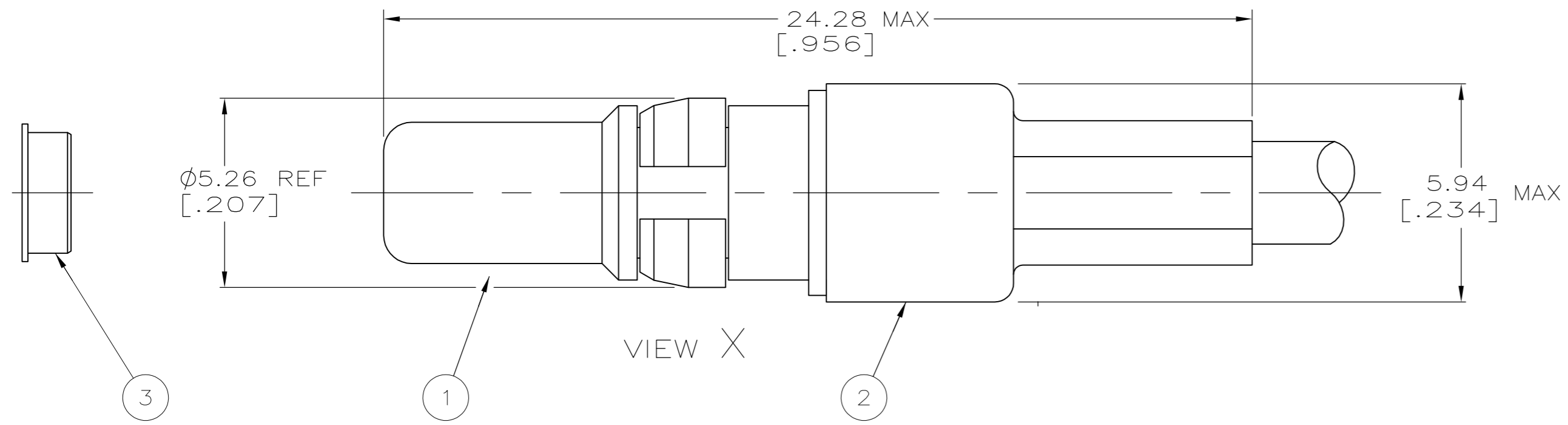


THIS DRAWING IS UNPUBLISHED. RELEASED FOR PUBLICATION  
 © COPYRIGHT BY TYCO ELECTRONICS CORPORATION. ALL RIGHTS RESERVED.

LOC		DIST		REVISIONS			
P	LTR	DESCRIPTION	DATE	DWN	APVD		
AJ	16	A	REV PER EC 0S14-0028-05	17DEC05	BC	KW	
		A1	REVISED PER ECO-09-024606	29OCT09	KK	AEG	



- △1 FOR USE WITH: RG-142/U, 142A/U, 142B/U, 58A/U, & 400/U, BELDEN 9248
- 2. USE HAND TOOL: 69710-2  
PNEUMATIC TOOL: 69365-8  
EXTRACTION TOOL: 58095-1
- 3. ITEM #3 IS USED TO STABILIZE THE CRIMPED CONNECTOR IN THE HOUSING CAVITY, OTHERWISE DISCARD
- △4 FOR USE WITH: RD-316/U, 174/U, & 188/U DOUBLE BRAIDED CABLE
- △5 OBSOLETE PARTS: OBSOLETE CIS STREAMLINING PER D.RENAUD/D.SINISI

RECOMMENDED STRIP LENGTH

	59993-1	△4	228616-1	9-221205-0	9-222049-0	X,A	5221980-5
△5 OBSOLETE	59993-1	RG-179/U, 179A/U & 179B/U	228616-1	9-228603-0	9-222049-1	X,A	<del>5221980-3</del>
OBSOLETE	58212-1	△1	228616-1	9-225381-0	222059-1	Y,A	5221980-2
	59993-1	RG-174/U, 188/U & 316/U	228616-1	9-228603-0	9-222049-0	X,A	5221980-1
	DIE SET	USE WITH CABLE	△3 ALIGNMENT RING QTY=1	△2 FERRULE QTY=1	△1 PIN ASSY QTY=1	VIEW	PART NUMBER

THIS DRAWING IS A CONTROLLED DOCUMENT.

DWN	J. HAVENER	24JAN2005	 Tyco Electronics Corporation Harrisburg, PA 17105-3608
CHK	J. HAVENER	26JAN2005	
APVD	G. MICHAEL	26JAN2005	
NAME	G. MICHAEL		
DIMENSIONS:	TOLERANCES UNLESS OTHERWISE SPECIFIED:		PIN, STRAIGHT, 50 OHM, SIZE 8
INCHES	0 PLC ± - 1 PLC ± - 2 PLC ± - 3 PLC ± - 4 PLC ± - ANGLES ± - FINISH -		
MATERIAL	FINISH		SIZE A2 CAGE CODE 00779 DRAWING NO C=5221980 RESTRICTED TO -
CUSTOMER DRAWING			SCALE 8:1 SHEET 1 of 1 REV A1

5221980

单击下面可查看定价，库存，交付和生命周期等信息

[>>TE Connectivity\(泰科\)](#)