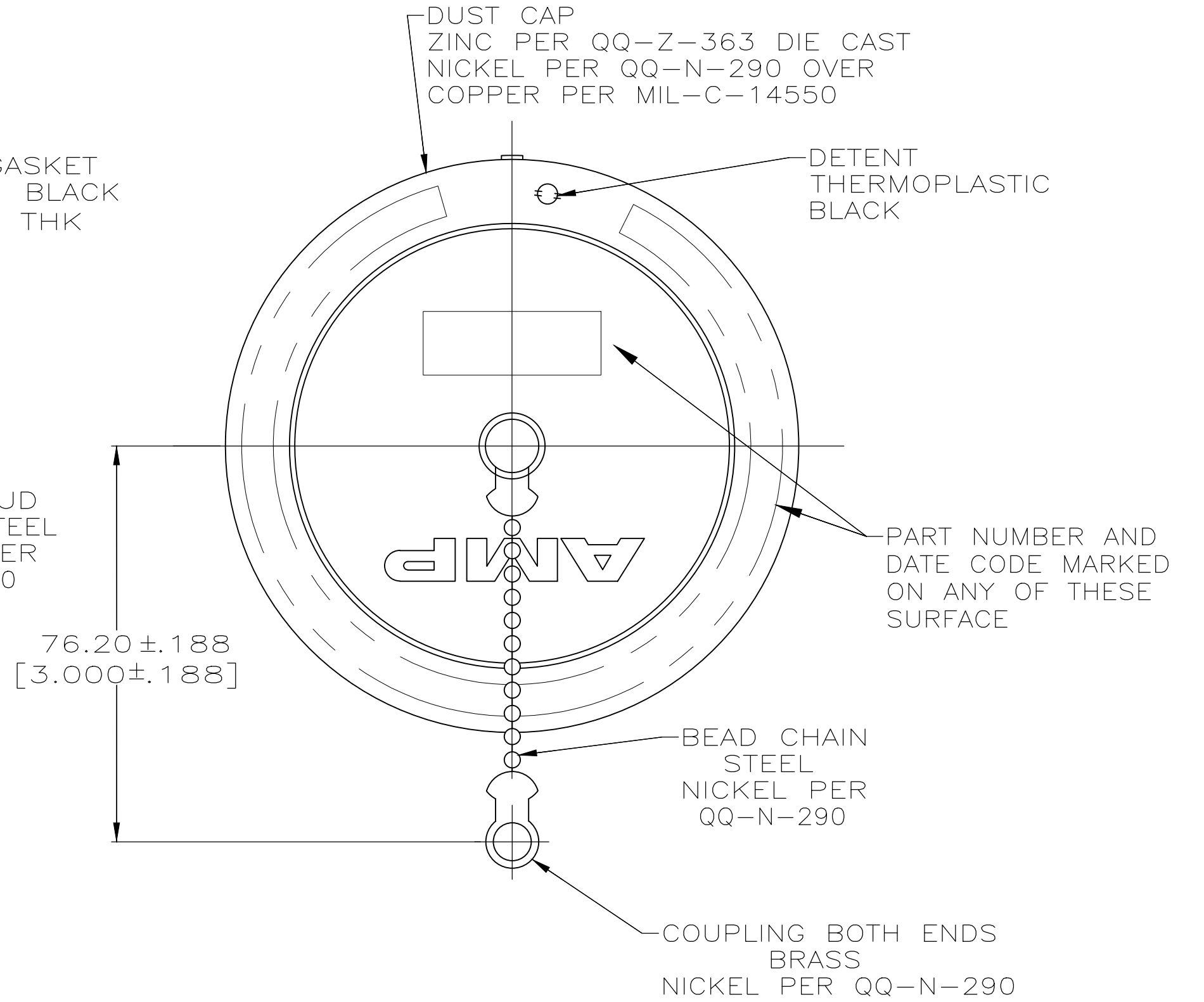
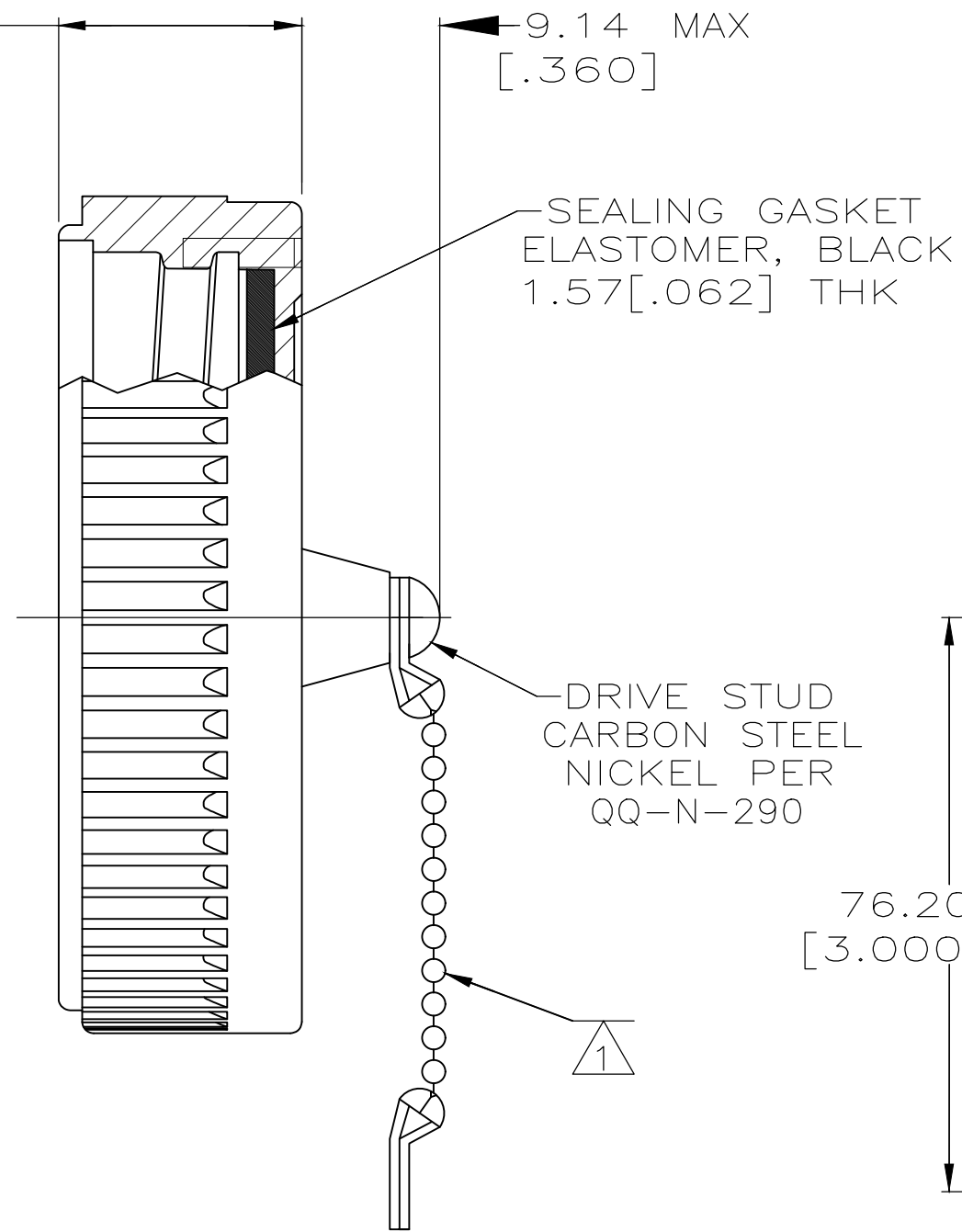
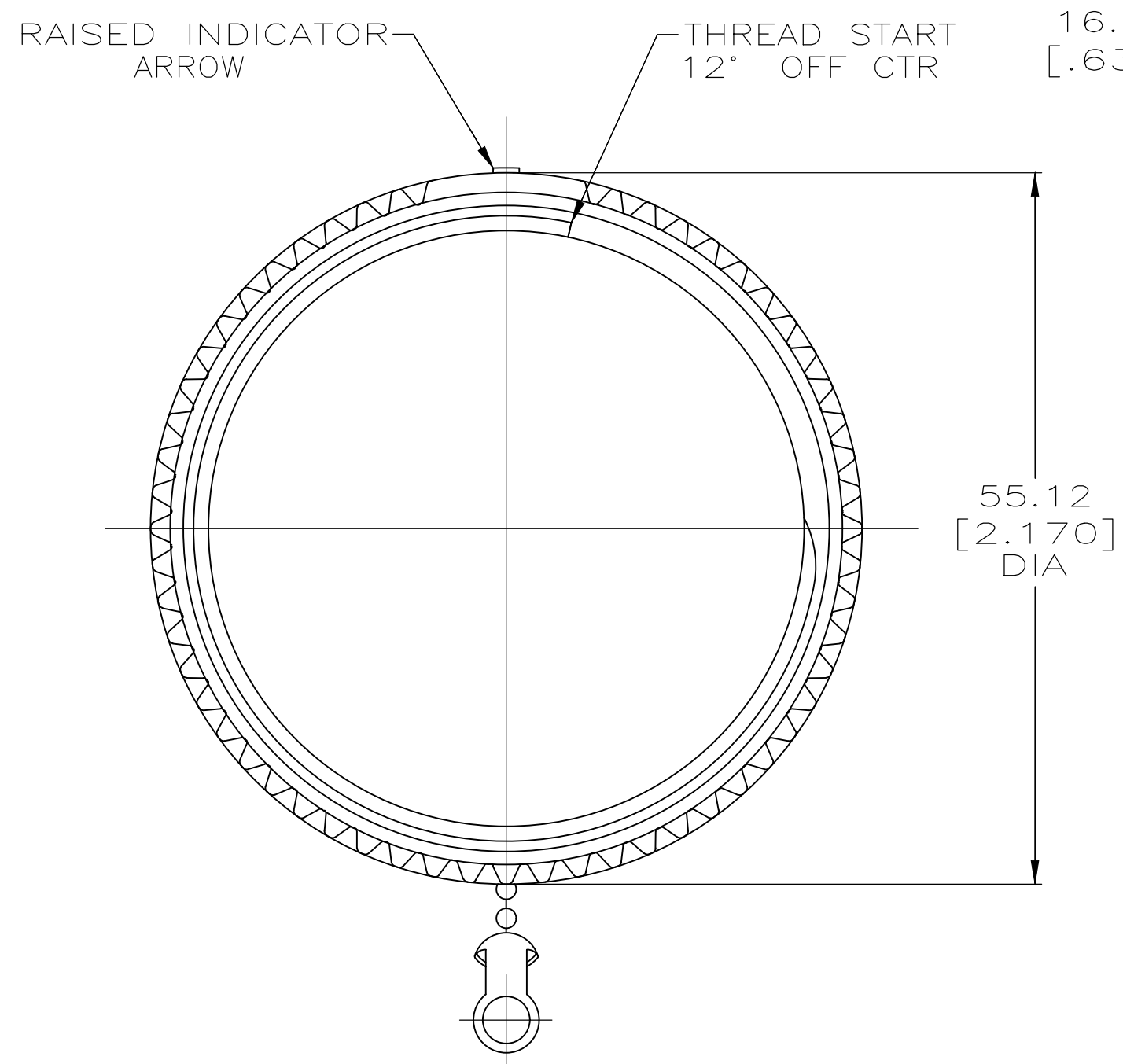


THIS DRAWING IS UNPUBLISHED. RELEASED FOR PUBLICATION
 © COPYRIGHT - TE Connectivity Ltd. ALL RIGHTS RESERVED.

REVISIONS				
P	LTR	DESCRIPTION	DATE	APVD
G		REVISED PER ECO-18-007010	23MAY18	KH MZ



1 BEADED PORTION OF CHAIN MUST ROTATE FREELY. THE EYELET OF THE CHAIN IS NOT REQUIRED TO SPIN FREELY AROUND THE STUD.

211904-1
 PART NO

THIS DRAWING IS A CONTROLLED DOCUMENT.		DWN R.SHIREY 08/13/91	STE TE Connectivity Ltd.			
DIMENSIONS: mm [INCHES]		CHK -				
TOLERANCES UNLESS OTHERWISE SPECIFIED:		APVD -	NAME PROTECTIVE CAP ASSEMBLY, SIZE 28, CMC			
0 PLC ± -		PRODUCT SPEC -				
1 PLC ± -		APPLICATION SPEC -	SIZE A2	CAGE CODE 00779	DRAWING NO C=211904	RESTRICTED TO -
2 PLC ± 0.25 [.010]		WEIGHT 0	SCALE 2:1		SHEET 1 of 1	REV G
3 PLC ± -		CUSTOMER DRAWING				
4 PLC ± -						
ANGLES ± -						
MATERIAL SEE CALLOUTS		FINISH SEE CALLOUTS				

单击下面可查看定价，库存，交付和生命周期等信息

[>>TE Connectivity\(泰科\)](#)