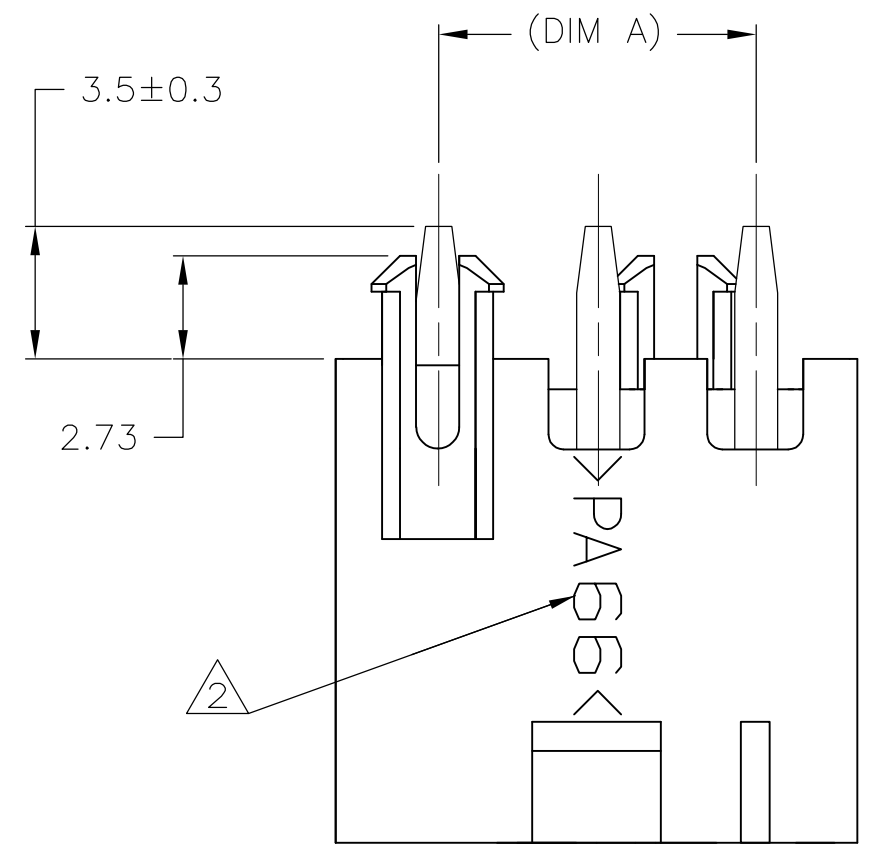
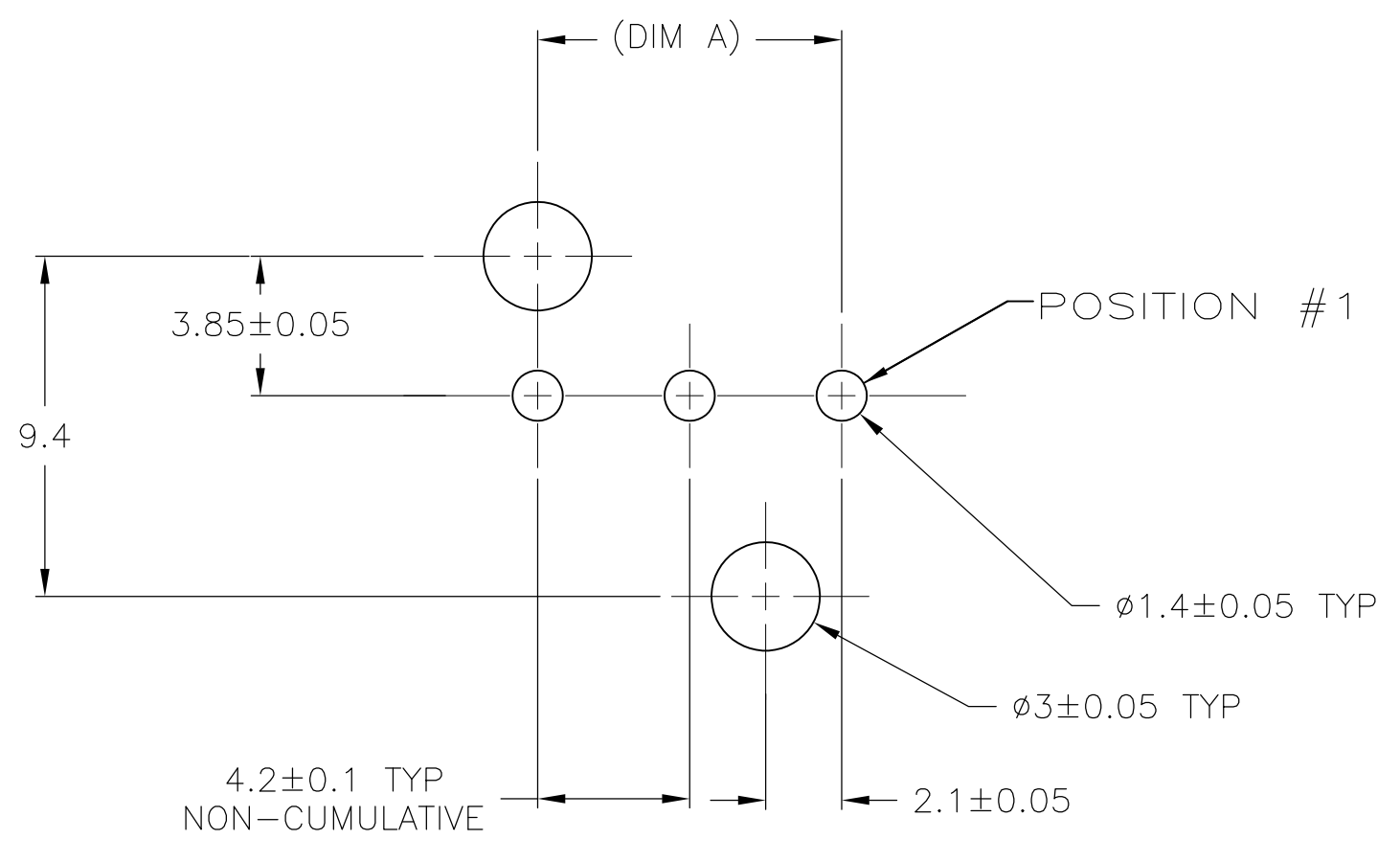
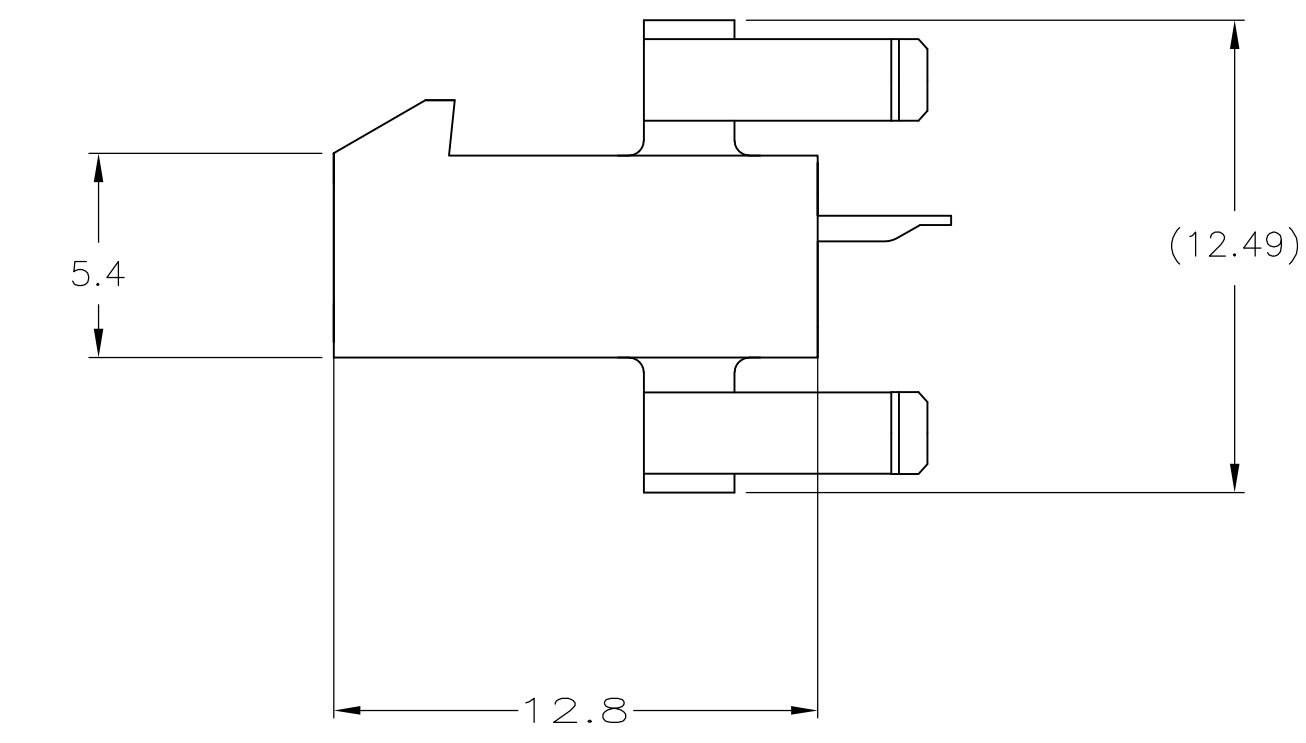
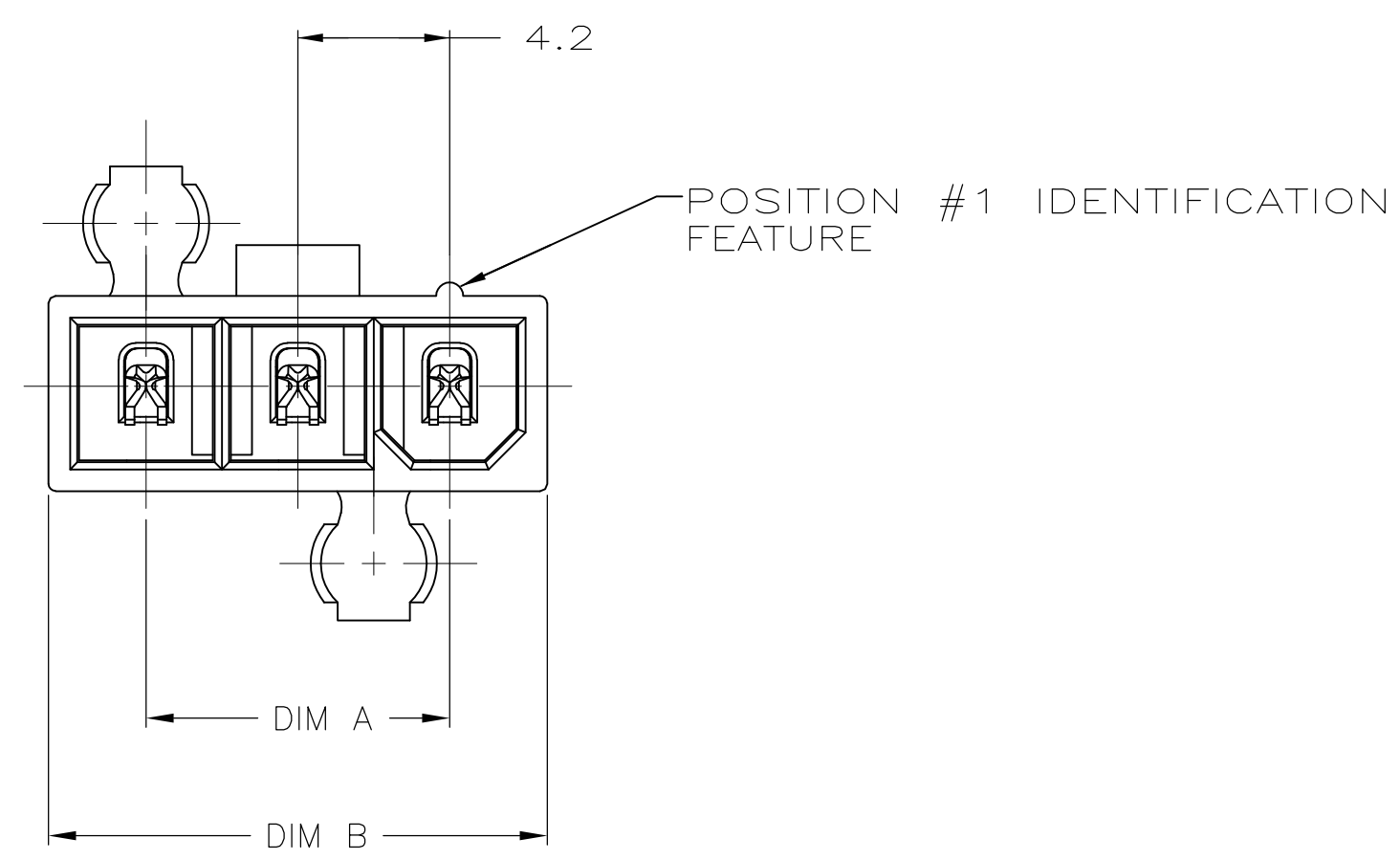


LOC		DIST		REVISIONS			
P	LTR	DESCRIPTION	DATE	DMN	APVD		
A	WR-08-03		11JAN2008	KW	CC		
B	REVISED	ECR-14-015945	26OCT2014	A.Z	D.Z		

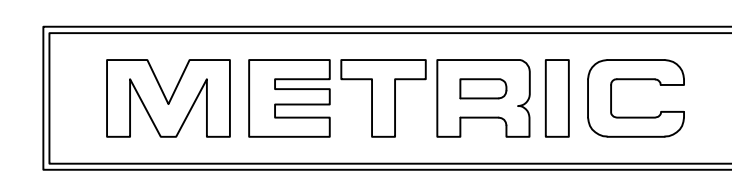


- ⚠ MATERIAL: HOUSING - NYLON 66 GF20, UL94V-0, NATURAL.
CONTACTS - BRASS, TIN PLATED.
- ⚠ TYCO ELECTRONICS LOGO AND MATERIAL ID MAY BE LOCATED ON EITHER LONG SIDE OF PART.
- 3. GLOW WIRE APPROVED, CONTACT TYCO ELECTRONICS ENGINEERING FOR SPECIFICATION.



RECOMMENDED MOUNTING HOLE PATTERN FOR 1.78 MAX THICK P.C. BOARD COMPONENT SIDE SHOWN

22.2	16.8	5	2029113-5
18	12.6	4	2029113-4
13.8	8.4	3	2029113-3
DIM B	DIM A	NO. OF POSITIONS	PART NO



THIS DRAWING IS A CONTROLLED DOCUMENT.

DIMENSIONS: mm	TOLERANCES UNLESS OTHERWISE SPECIFIED:	DIN K. WHITAKER 11JAN2008	TE Connectivity
0. PLC ± -	1. PLC ± 0.2	CHK C. CASH 11JAN2008	NAME
2. PLC ± 0.13	3. PLC ± -	APVD C. CASH 11JAN2008	PLUG ASSEMBLY, VERTICAL, SINGLE ROW, W/DRAIN HOLES, VAL-U-LOK(TM)
4. PLC ± -	ANGLES ± 0°30'	PRODUCT SPEC 108-2112	SIZE
MATERIAL	FINISH	APPLICATION SPEC 114-13172	CAFE CODE
		WEIGHT	DRAWING NO
			A1 00779
		CUSTOMER DRAWING	DRAWING NO
			C=2029113
		SCALE	RESTRICTED TO
		N/A	-
		SHEET 1 OF 1	REV B

单击下面可查看定价，库存，交付和生命周期等信息

[>>TE Connectivity\(泰科\)](#)