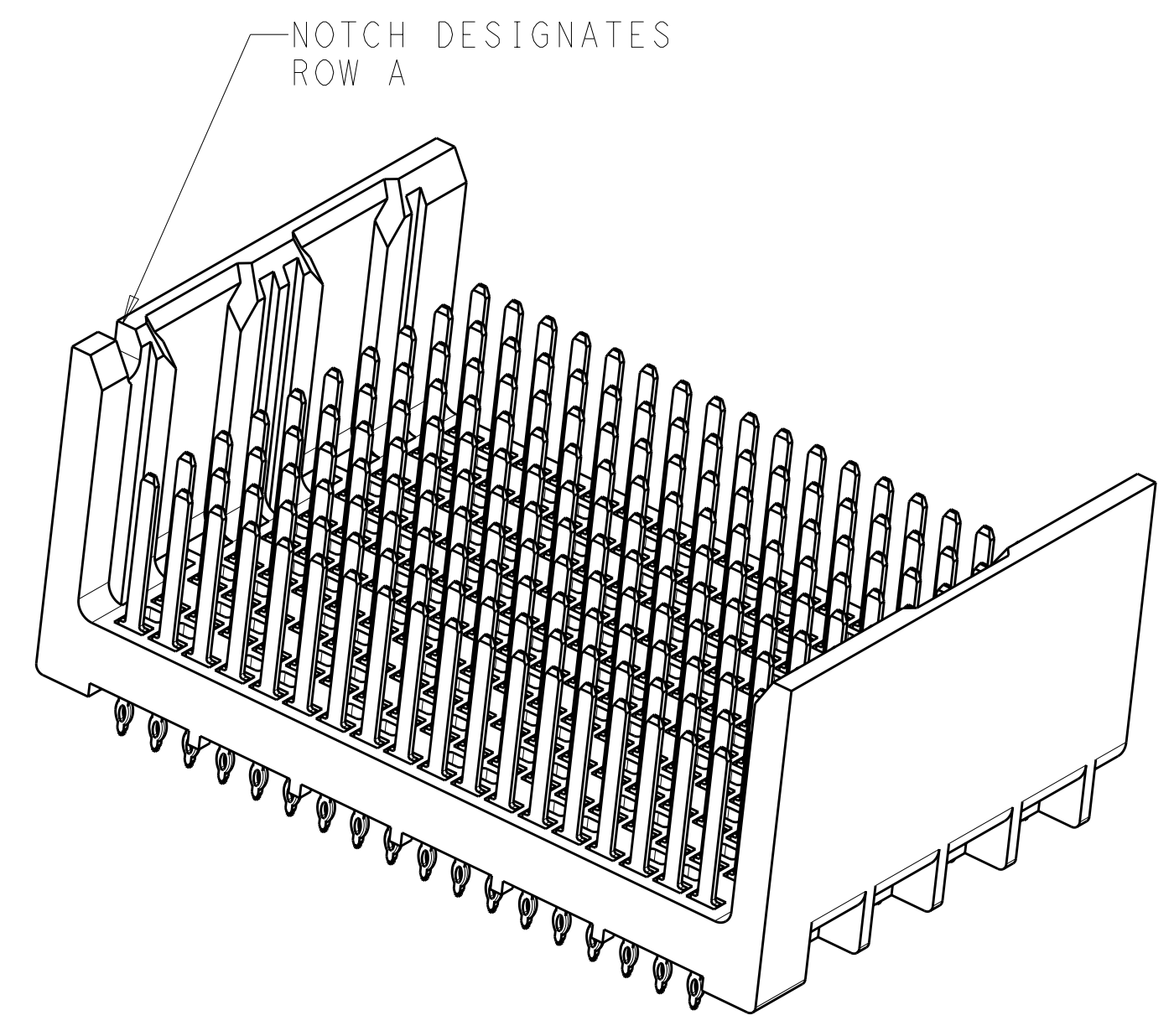
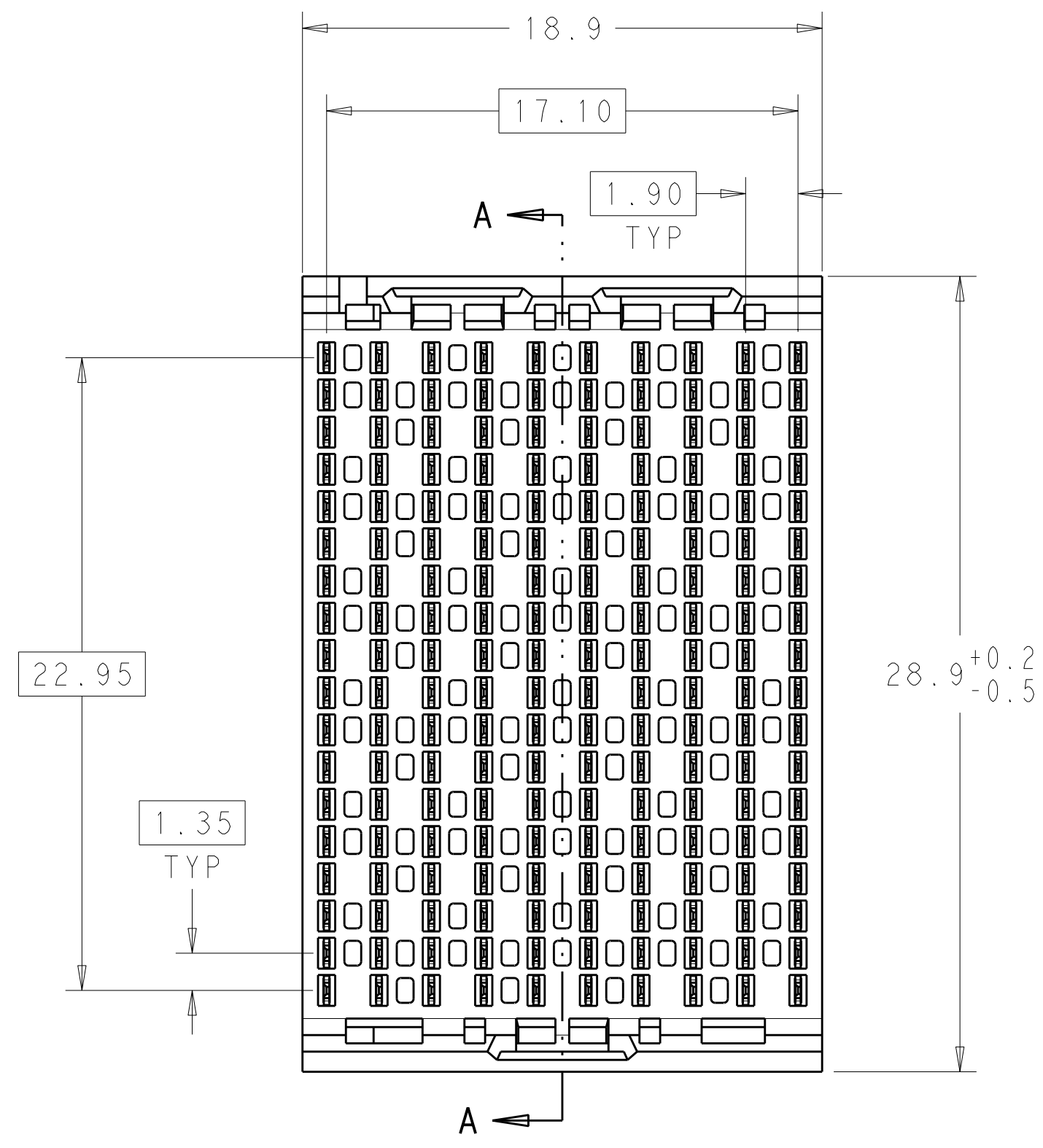
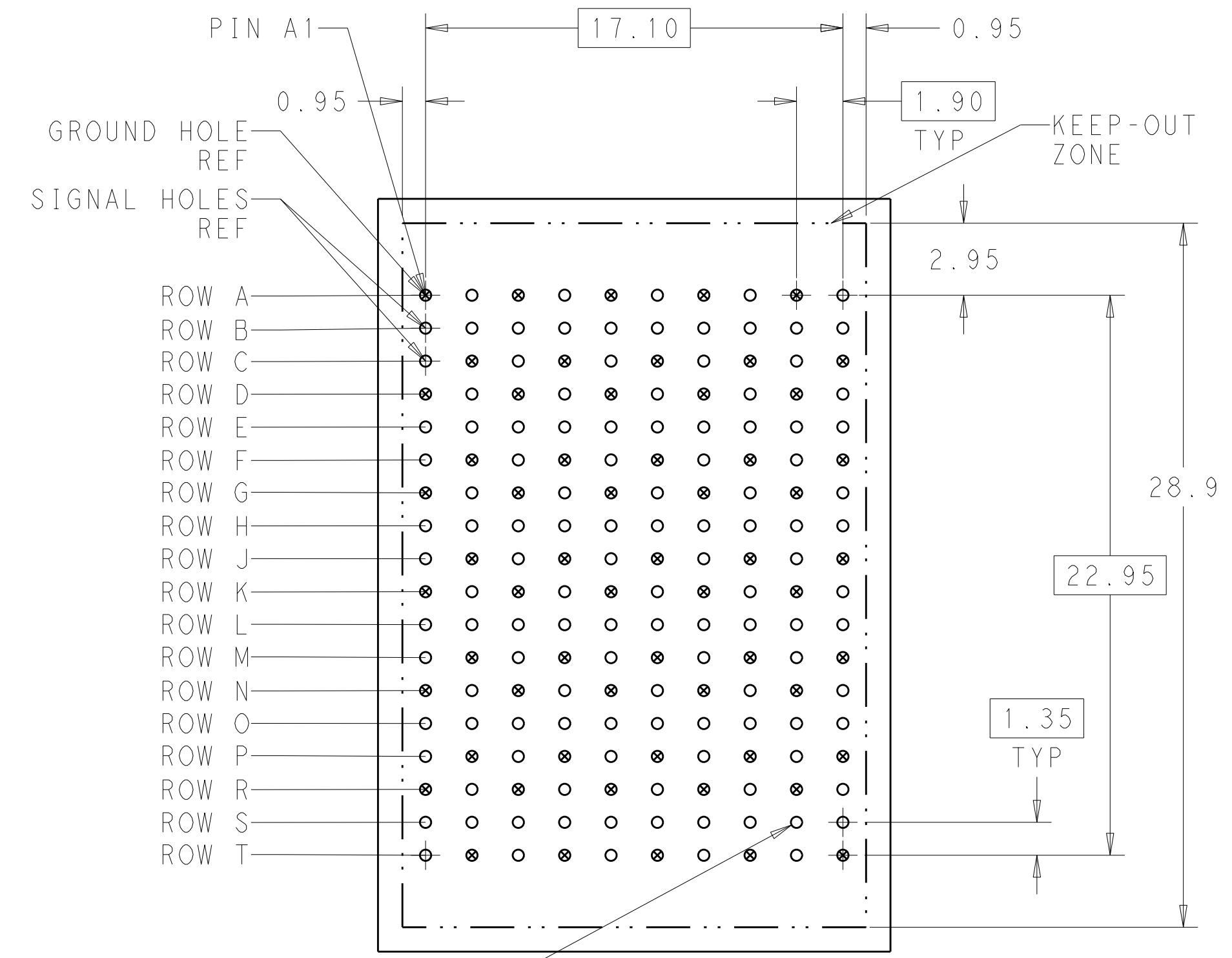


LOC	DIST	REV	DATE	BY	CHK	APPV
AD	00	A	02MAY2011	RKC	JE	

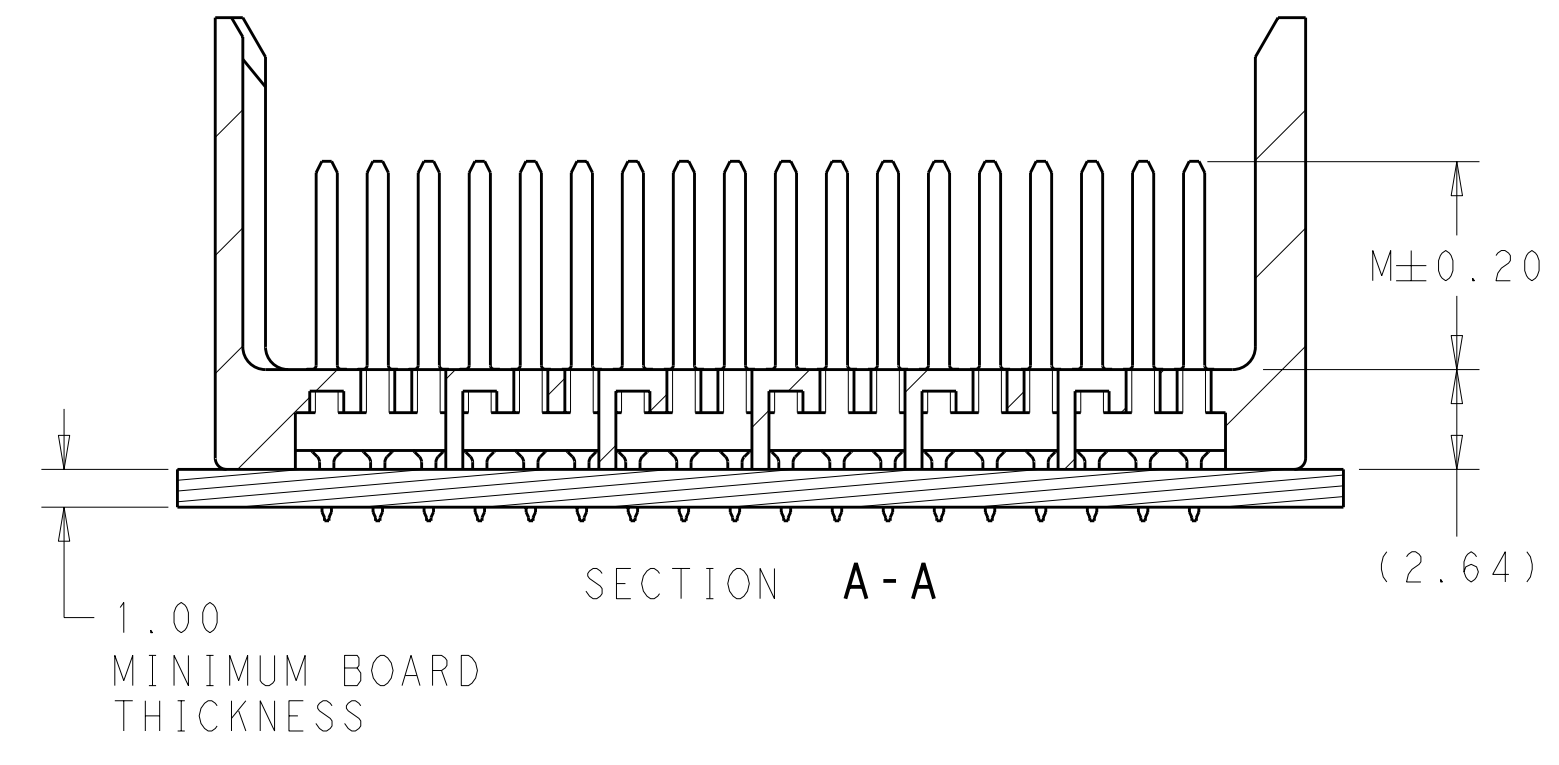
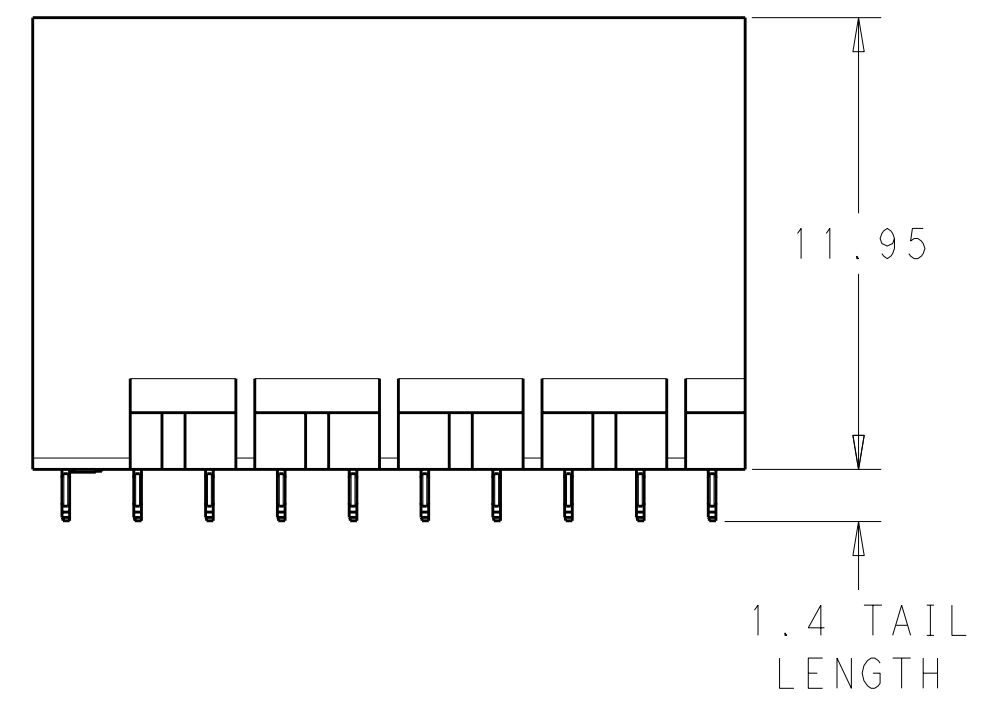


- 1 MATERIAL:  
HOUSING: LCP, GLASS FILLED, UL94V-0.  
TERMINALS: HIGH PERFORMANCE COPPER ALLOY.
- 2 FINISH:  
30µ" MIN GOLD IN CONTACT AREA. SELECTIVE TIN  
ON PCB TAILS, NICKEL OVERALL.
- 3 FINISH:  
30µ" MIN GOLD IN CONTACT AREA. SELECTIVE TIN-LEAD  
ON PCB TAILS, NICKEL OVERALL.



180X  $\varnothing 0.46 \pm 0.05$   
 $\varnothing 0.10$   
 PLATED THRU HOLE

UNGUIDED  
 BACKPLANE HOLE PATTERN  
 (CONNECTOR SIDE)




THIS DRAWING IS A CONTROLLED DOCUMENT.		OWN: R. COELLO 02MAY2011	TE Connectivity
DIMENSIONS: mm		CHK: J. EBY 02MAY2011	
TOLERANCES UNLESS OTHERWISE SPECIFIED:		APVD: J. EBY 02MAY2011	NAME: IMPACT, 6 PAIR, 10 COLUMN, HEADER
9 PLC ±	0.25	PRODUCT SPEC	UNGUIDED, OPEN END WALL
1 PLC ±0.13		APPLICATION SPEC	SIGNAL MODULE, 0.46 PTH
3 PLC ±		WEIGHT	SIZE: CAGE CODE: DRAWING NO: RESTRICTED TO
4 PLC ±		FINISH: SEE TABLE	A100779C=2007880
ANGLES ±		MATERIAL: SEE TABLE	CUSTOMER DRAWING
SCALE: 5:1		SHEET 1 OF 2	

THIS DRAWING IS UNPUBLISHED. RELEASED FOR PUBLICATION 20  
 © COPYRIGHT 20 BY ALL RIGHTS RESERVED.

LOC	DIST	REVISIONS			
AD	00	REV	DATE	BY	APPD
-	-	SEE SHEET 1	-	-	-

FINISH	DIM M	PART NUMBER
△3	5.5	2007880-6
△3	4.9	2007880-5
△3	4.5	2007880-4
△2	5.5	2007880-3
△2	4.9	2007880-2
△2	4.5	2007880-1

REFER TO WWW.TE.COM  
FOR PRODUCT AVAILABILITY

THIS DRAWING IS A CONTROLLED DOCUMENT.		DWN R. COELLO 02MAY2011	 TE Connectivity
DIMENSIONS: mm		CHK J. EARY 02MAY2011	
TOLERANCES UNLESS OTHERWISE SPECIFIED: 9 PLC ±0.25 7 PLC ±0.13 5 PLC ± 4 PLC ± ANGLES ± FINISH SEE TABLE		APVD J. EARY 02MAY2011	NAME IMPACT, 6 PAIR, 10 COLUMN, HEADER UNGUIDED, OPEN END WALL SIGNAL MODULE, 0.46 PTH
MATERIAL -	PRODUCT SPEC -	APPLICATION SPEC -	SIZE CAGE CODE DRAWING NO A100779C=2007880
CUSTOMER DRAWING		WEIGHT -	RESTRICTED TO -
SCALE 5:1		SHEET 2 OF 2	REV A

单击下面可查看定价，库存，交付和生命周期等信息

[>>TE Connectivity\(泰科\)](#)