

1757544-6 S/A 1757544-3  
 1757544-7 S/A 1757544-4  
 EXCEPT ONLY 2 INSERT RETENTION PLATES  
 AND 4 #1 PHILLIPS HEAD  
 RETENTION PLATE SCREWS

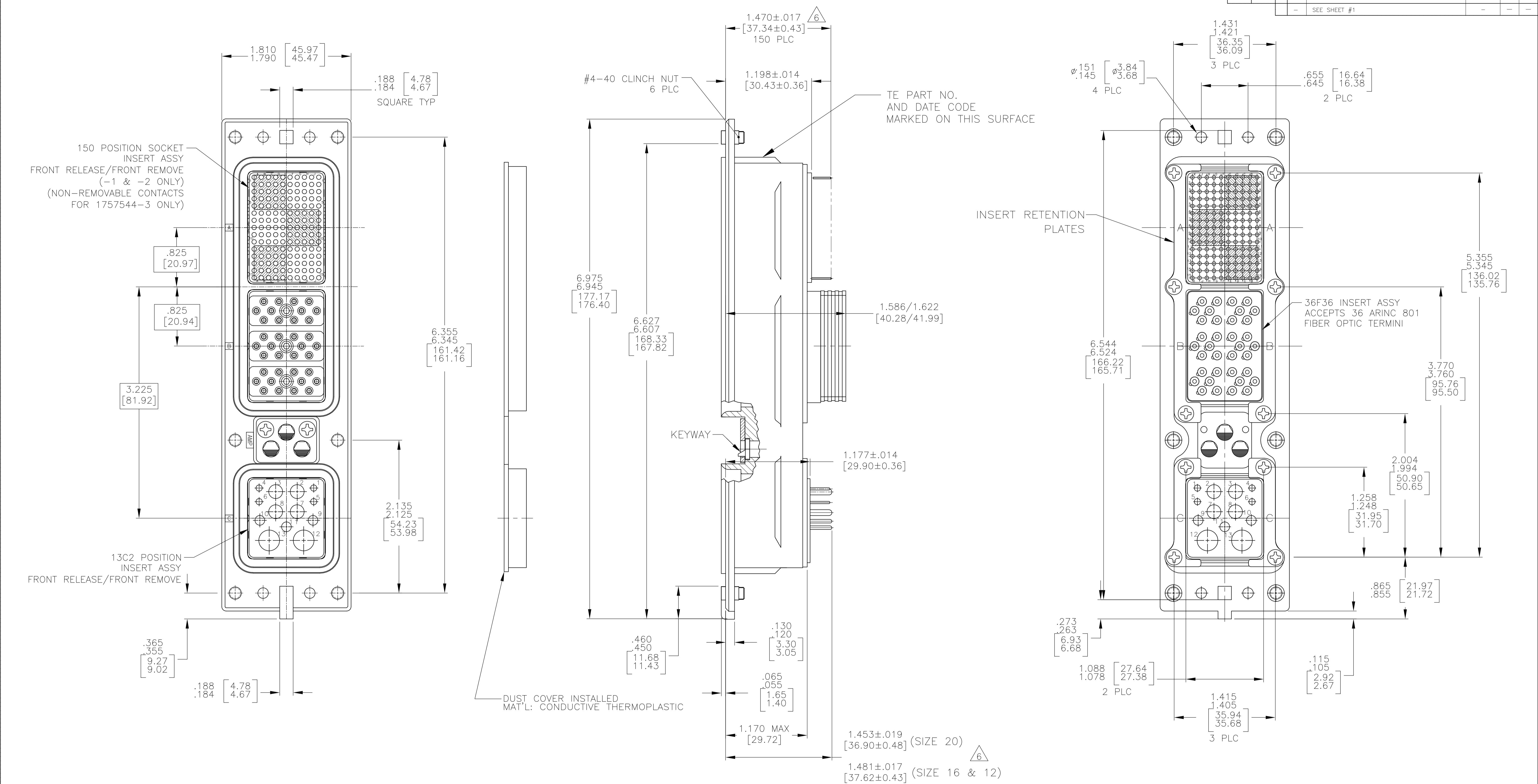
- CONNECTOR DIMENSIONS ARE PER ARINC 600 SPECIFICATION.
- CONNECTOR IS SUPPLIED WITH CONTACTS (PER TABLE) ASSEMBLED AS SHOWN.
- KEYING SHOWN IN POSITION "01" FOR ILLUSTRATION ONLY. CONNECTORS SHIPPED WITH KEYING INSTALLED IN POSITION PER TABLE. FOR POSITION "00" KEYING HARDWARE SHIPPED UNASSEMBLED.
- FRONT & REAR VIEWS ARE SHOWN WITHOUT CONTACTS.
- MODULE B (36F36) IS SUPPLIED WITHOUT CONTACTS. MUST BE ORDERED SEPARATELY.
- <sup>6</sup> DIMENSION APPLIES WITH CONTACTS FULLY SEATED TO REAR OF INSERT.
- ALL ASSEMBLIES ARE RoHS COMPLIANT.
- <sup>8</sup> PART NOS 1757544-1 AND -2 ARE OBSOLETE AND SUPERSEDED BY 1757544-3.

COMPONENT	MATERIAL	FINISH
SHELL	DIE CAST ALUMINUM PER ASTM-B-85	ELECTROLESS NICKEL PER MIL-C-26074
INSERT RETENTION PLATES	ALUMINUM ALLOY PER ASTM-B-209	ELECTROLESS NICKEL PER MIL-C-26074
FLAT HEAD SCREWS AND LOCKWASHERS	STAINLESS STEEL	PASSIVATED
POLARIZING KEYS	ZINC ALLOY PER ASTM-B-86	-
150 & 13C2 INSERTS	THERMOSET OR THERMOPLASTIC PPS PER MIL-M-24519	-
POLARIZING KEY RETAINING PLATE	ALUMINUM ALLOY PER ASTM-B-209	BLUE ANODIZED PER MIL-A-8625
36F36 INSERT	SEE TABLE	SEE TABLE
CLINCH NUT	STEEL	TRIVALENT CHROMATE OVER ZINC PLATE WITH MOLY LUBE

--	THERMOPLASTIC EPOXY	"00"	MODULE A SZ 22 NON-REMOVABLE SOCKET CONTACT MODULE C 1-448138-2 (#20 POSTED) 1-448139-1 (#16 POSTED) 448140-3 (#12 POSTED) 1484205-1 (SIZE 5 FILLER PLUG)	1757544-7	
--	THERMOPLASTIC EPOXY	"01"	MODULE A SZ 22 NON-REMOVABLE SOCKET CONTACT MODULE C 1-448138-2 (#20 POSTED) 1-448139-1 (#16 POSTED) 448140-3 (#12 POSTED) 1484205-1 (SIZE 5 FILLER PLUG)	1757544-6	
--	THERMOPLASTIC EPOXY	"00"	MODULE A SZ 22 NON-REMOVABLE SOCKET CONTACT MODULE C 1-448138-2 (#20 POSTED) 1-448139-1 (#16 POSTED) 448140-3 (#12 POSTED) 1484205-1 (SIZE 5 FILLER PLUG)	1757544-4	
--	THERMOPLASTIC EPOXY	"01"	MODULE A SZ 22 NON-REMOVABLE SOCKET CONTACT MODULE C 1-448138-2 (#20 POSTED) 1-448139-1 (#16 POSTED) 448140-3 (#12 POSTED) 1484205-1 (SIZE 5 FILLER PLUG)	1757544-3	
--	THERMOSET EPOXY	"01"	MODULE A 211431-4 (SIZE 22) MODULE C 1-448138-2 (#20 POSTED) 1-448139-1 (#16 POSTED) 448140-3 (#12 POSTED) 1484205-1 (SIZE 5 FILLER PLUG)	1757544-2 <sup>8</sup>	
	ANODIC OXIDATION PER MIL-A-8625	ALUMINUM ALLOY	"01"	MODULE A 211431-4 (SIZE 22) MODULE C 1-448138-2 (#20 POSTED) 1-448139-1 (#16 POSTED) 448140-3 (#12 POSTED) 1484205-1 (SIZE 5 FILLER PLUG)	1757544-1 <sup>8</sup>
36F36 FINISH	36F36 MATERIAL	KEYING POSITION	CONTACTS & FILLER PLUGS INCLUDED AND INSTALLED	PART NUMBER	

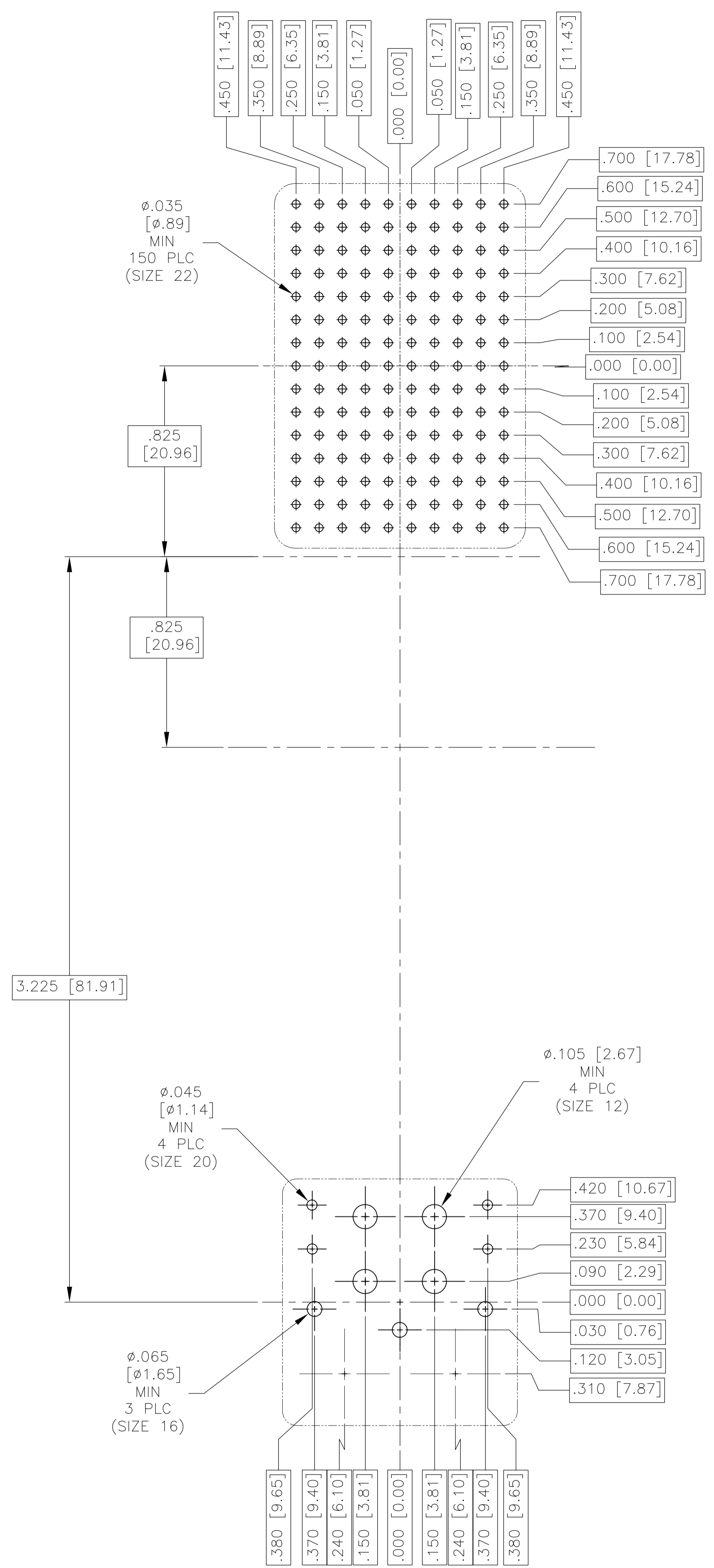
THIS DRAWING IS A CONTROLLED DOCUMENT.		DIN C.C.THOMAS 12-1-04	TE Connectivity	
DIMENSIONS: INCHES		12-1-04		
TOLERANCES UNLESS OTHERWISE SPECIFIED:		APVD S.GLATFELTER 12-1-04	NAME RCPT ASSY, SIZE 2, ARINC 600 (150/36F36/13C2)	
0 PLC ± -		PRODUCT SPEC	APPLICATION SPEC	
1 PLC ± -		APPLICATION SPEC	SIZE A1	
2 PLC ± -		WEIGHT	CAGE CODE 00779	
3 PLC ± -		RESTRICTED TO	DRAWING NO 1757544	
4 PLC ± -		CUSTOMER DRAWING	SCALE 3:2	
ANGLES ± -		SHEET 1 OF 3		REV P

LOC		DIST		REVISIONS			
P	LTR	DESCRIPTION	DATE	DN	APVD		
-	-	SEE SHEET #1	-	-	-	-	-



THIS DRAWING IS A CONTROLLED DOCUMENT.		DN C.C.THOMAS 12-1-04	TE Connectivity
DIMENSIONS: INCHES		CHK S.GLATFELTER 12-1-04	
TOLERANCES UNLESS OTHERWISE SPECIFIED:		APVD S.GLATFELTER 12-1-04	NAME RCPT ASSY, SIZE 2, ARINC 600 (150/36F36/13C2)
0 PLC ± -	1 PLC ± -	APPLICATION SPEC	SIZE A1
2 PLC ± -	3 PLC ± -	WEIGHT	CAGE CODE 00779
4 PLC ± -	ANGLES ± -	CUSTOMER DRAWING	DRAWING NO 1757544
MATERIAL SEE TABLE		RESTRICTED TO	
FINISH SEE TABLE		SCALE 3:2 SHEET 2 OF 3 REV P	

LOC		DIST		REVISIONS			
P	LTR	DESCRIPTION	DATE	DNW	APVD		
-	-	SEE SHEET 1	-	-	-	-	-



RECOMMENDED P.C. BOARD LAYOUT  
SCALE 3:1

THIS DRAWING IS A CONTROLLED DOCUMENT.		DNW C.C.THOMAS 12-1-04	TE Connectivity	
DIMENSIONS: INCHES		CHK S.GLATFELTER 12-1-04	NAME RCPT ASSY, SIZE 2, ARINC 600 (150/36F36/13C2)	
TOLERANCES UNLESS OTHERWISE SPECIFIED:		APVD S.GLATFELTER 12-1-04	RESTRICTED TO	
0 PLC ± - 1 PLC ± - 2 PLC ± - 3 PLC ± - 4 PLC ± - ANGLES ± -		PRODUCT SPEC	SIZE A1	
MATERIAL SEE TABLE		APPLICATION SPEC	CAGE CODE 1757544	
FINISH SEE TABLE		WEIGHT	SCALE 3:2 SHEET 3 OF 3 REV P	
CUSTOMER DRAWING		DRAWING NO 000779		

单击下面可查看定价，库存，交付和生命周期等信息

[>>TE Connectivity\(泰科\)](#)