

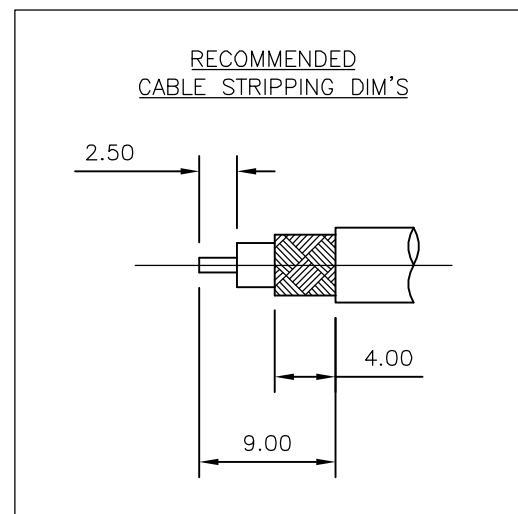
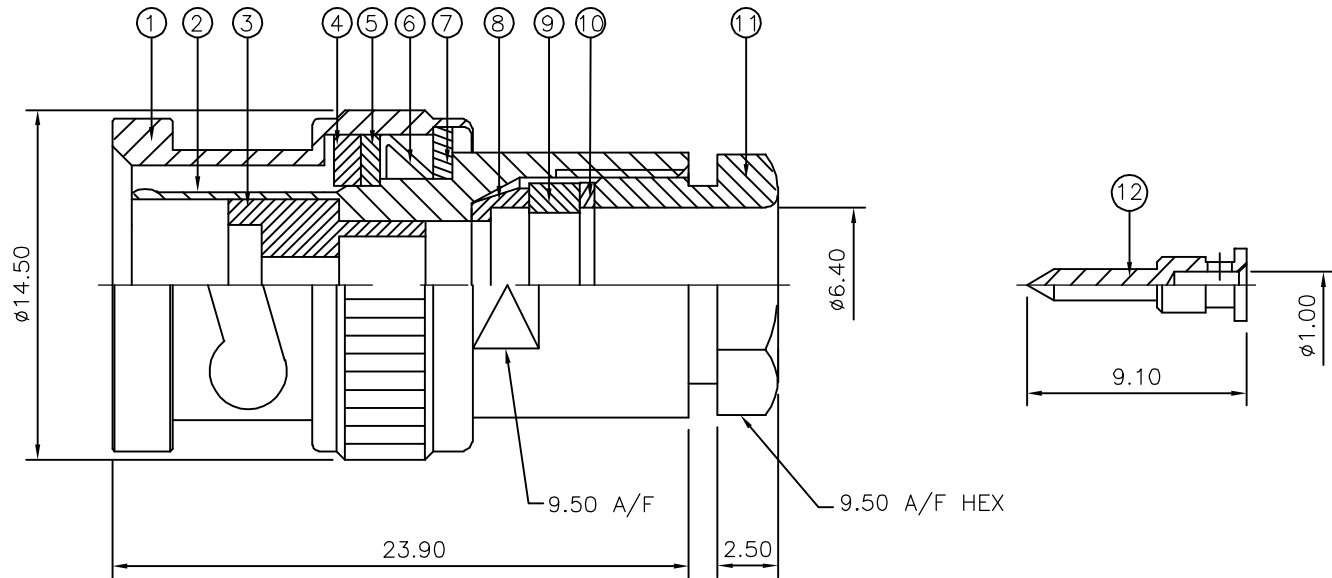
THIS DRAWING IS UNPUBLISHED. RELEASED FOR PUBLICATION NOV ,2005.

© COPYRIGHT 2005 BY TYCO ELECTRONICS CORPORATION. ALL RIGHTS RESERVED.

LOC	DIST	REVISIONS					
E	B	P	LTR	DESCRIPTION	DATE	DWN	APVD
		C		ECR-05-015880	18NOV05	JMS	FWK

NOTES:

- ① PACK IN ACCORDANCE WITH AMP SPEC 107-3275
 - ② 100 TRAY PACK IN ACCORDANCE WITH AMP SPEC 107-3275
 - ③ Ag PLATING OVER Cu PLATING
 - ④ THIS ITEM MUST BE WHITE
- 5 ELECTRICAL CHARACTERISTICS
- | | |
|-------------------------------|----------------------------|
| FREQUENCY RANGE: | DC - 2 GHz |
| NOMINAL IMPEDANCE: | 75 Ohm |
| INSULATION RESISTANCE: | 5000 MOhm |
| WORKING VOLTAGE: | 500 Volts RMS at Sea Level |
| DIELECTRIC WITHSTAND VOLTAGE: | 1500 Volts RMS Max |
| CONTACT RESISTANCE: | |
| CENTRE CONTACT: | 1.50 mOhm Max |
| OUTER CONTACT: | 0.20 mOhm Max |
| VSWR @ 2GHz: | 1.20:1 Max |
| INSERTION LOSS dB @ x 2 GHz: | 0.20 Max |
- 6 MECHANICAL CHARACTERISTICS
- | | |
|-------------------------------|----------------|
| COUPLING RETENTION FORCE: | 445N Min |
| CABLE RETENTION FORCE: | 170N Min |
| CLAMP NUT RECOMMENDED TORQUE: | 4N |
| DURABILITY: | 500 Cycles Min |
- 7 ENVIRONMENTAL CHARACTERISTICS
- | | |
|------------------------|------------------|
| OPERATING TEMPERATURE: | -65 to +165 DegC |
|------------------------|------------------|



QTY	QTY	MATERIAL	NOTE	DESCRIPTION	ITEM
1	1	BRASS	③	CONTACT	12
1	1	BRASS	③	CLAMP NUT	11
1	1	BRASS	③	WASHER	10
1	1	SILICON RUBBER	④	GASKET	9
1	1	BRASS	③	SLEEVE	8
1	1	BRASS	③	WASHER	7
1	1	SPRING STEEL		SPRING	6
1	1	BRASS	③	WASHER	5
1	1	SILICON RUBBER	④	GASKET	4
1	1	PTFE		INSULATION	3
1	1	BRASS	③	BODY	2
1	1	BRASS	③	SHELL	1
6--0	1--0			MATERIAL	DESCRIPTION
					ITEM

QUANTITY PER ASSY		PARTS LIST	
DWN J.SANDWELL 18NOV05		Tyco Electronics Corporation	
CHK S.PARLOW 18NOV05		Bideford EX39 4HE	
APVD F.WHEELER-KING 18NOV05		NAME	
PRODUCT SPEC 108-3435		BNC STRAIGHT PLUG SOLDER 75 OHM RG59B/U, 62A/U, 140/U, 210/U, URM90, PSF1/3M, TM3304, KX6A, KX25, KX52, KX53	
APPLICATION SPEC 411-3252		SIZE	RESTRICTED TO
WEIGHT -		A3	-
CUSTOMER DRAWING		CAGE CODE 00779	DRAWING NO 1337422
SCALE NTS		SHEET 1 OF 1	REV C

THIS DRAWING IS A CONTROLLED DOCUMENT.	
DIMENSIONS: mm	TOLERANCES UNLESS OTHERWISE SPECIFIED:
	0 PLC ± -
	1 PLC ± -
	2 PLC ± -
	3 PLC ± -
	4 PLC ± -
	ANGLES ± -
MATERIAL SEE TABLE	FINISH -

单击下面可查看定价，库存，交付和生命周期等信息

[>>TE Connectivity\(泰科\)](#)