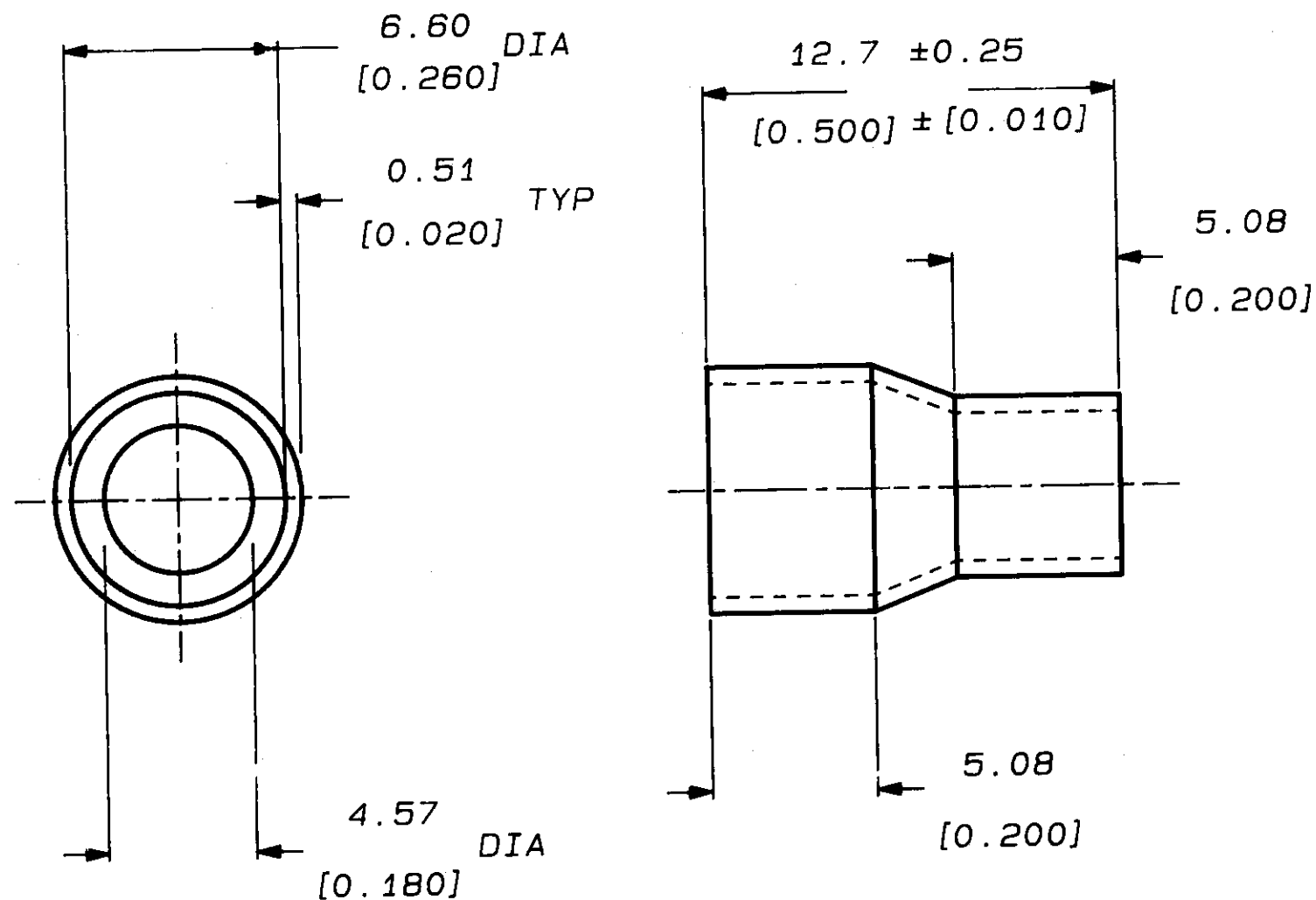


THIS DRAWING IS UNPUBLISHED. RELEASED FOR PUBLICATION .19

© COPYRIGHT 19 BY AMP INCORPORATED, HARRISBURG, PA. ALL INTERNATIONAL RIGHTS RESERVED. AMP PRODUCTS MAY BE COVERED BY U.S. AND FOREIGN PATENTS AND/OR PATENTS PENDING.

REVISIONS						
P	F	ZONE	LTR	DESCRIPTION	DATE	APPROVED
✓	1		A	REV. PER AF0372, RELEASED PER P.A.R.	7/22/84	SS /
			B	REV PER AF 4834	6/17/84	dl /



- 1 DIMENSIONS IN BRACKETS ARE IN INCHES
- 2 INSULATION RANGE: 4.42-3.73 [0.174-0.147]

520432-1

PART NO

UNLESS OTHERWISE SPECIFIED DIMENSIONS ARE IN INCHES TOLERANCES ON: DECIMALS ± 0.00 (0.0125) ANGLES ±	CONTRACT NO	<b>AMP</b>   AMP INCORPORATED Harrisburg, Pa.		
	DR <i>S. Schaffhausen</i> 5/2/84			
	MATERIAL	CHK <i>G. Miller</i> 5/2/84	NAME <b>SDL FERRULE STYLE A                  (4 POSITION)</b>	
	COPPER	APPD <i>Jon Paulin</i> 7/25/84		
FINISH	APPD <i>C. Rhode</i> 7-26-84	SIZE	FSCM NO	DRAWING NO
BRIGHT TIN	DSGN APPD	<b>B</b>	00779	520432
	OTHER APPD	SCALE		SHEET

CUSTOMER DRAWING

单击下面可查看定价，库存，交付和生命周期等信息

[>>TE Connectivity\(泰科\)](#)