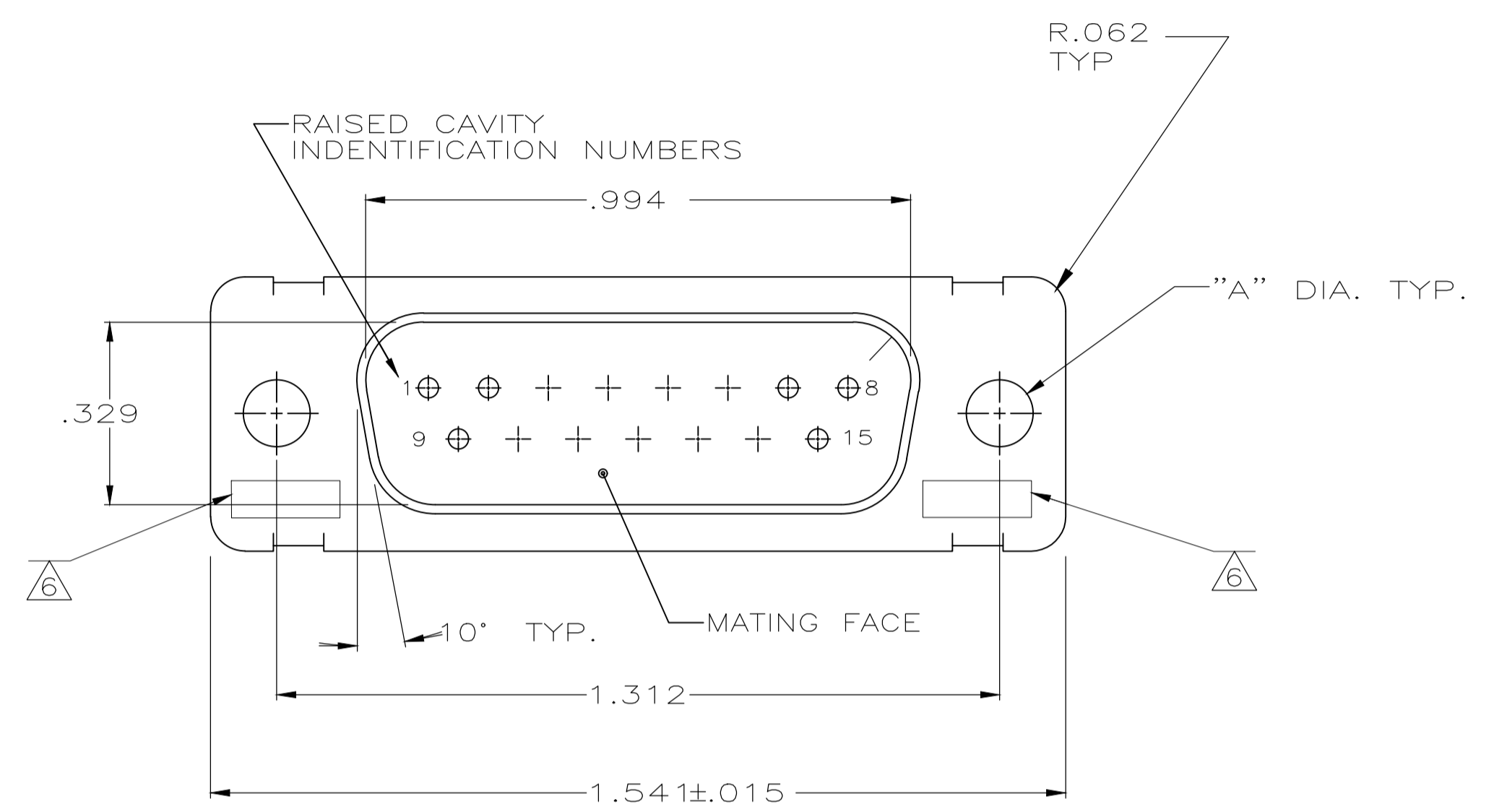
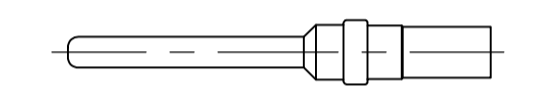


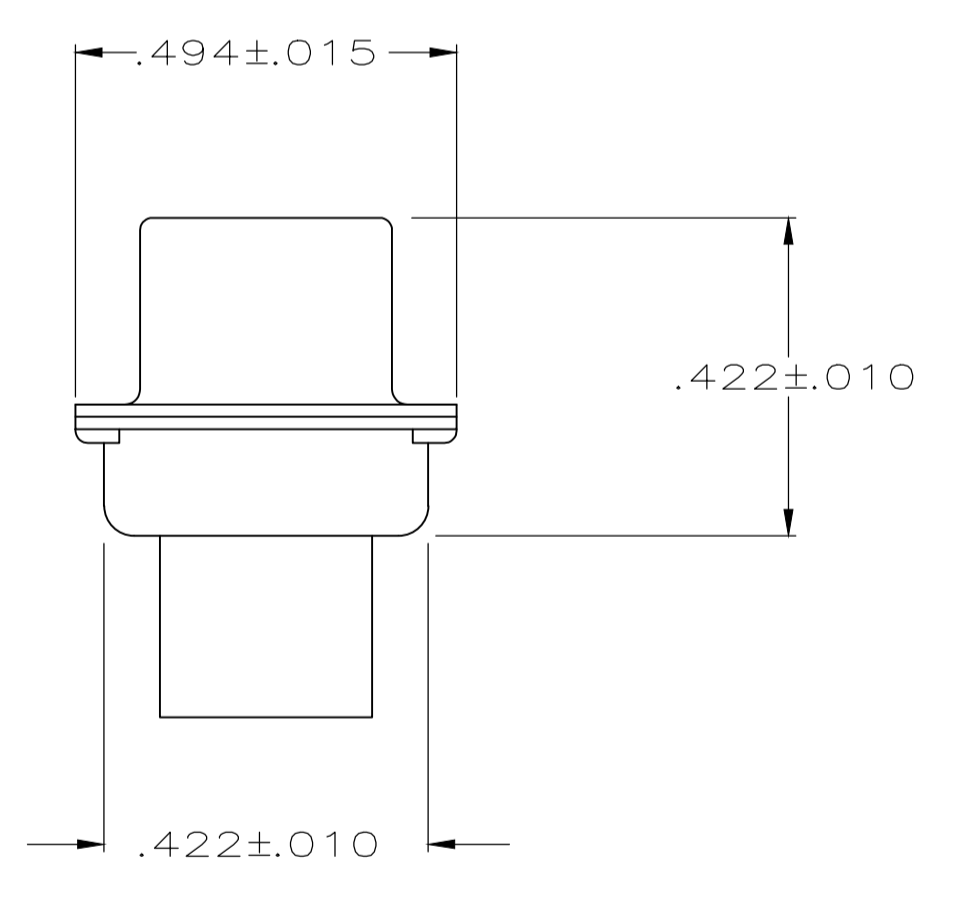
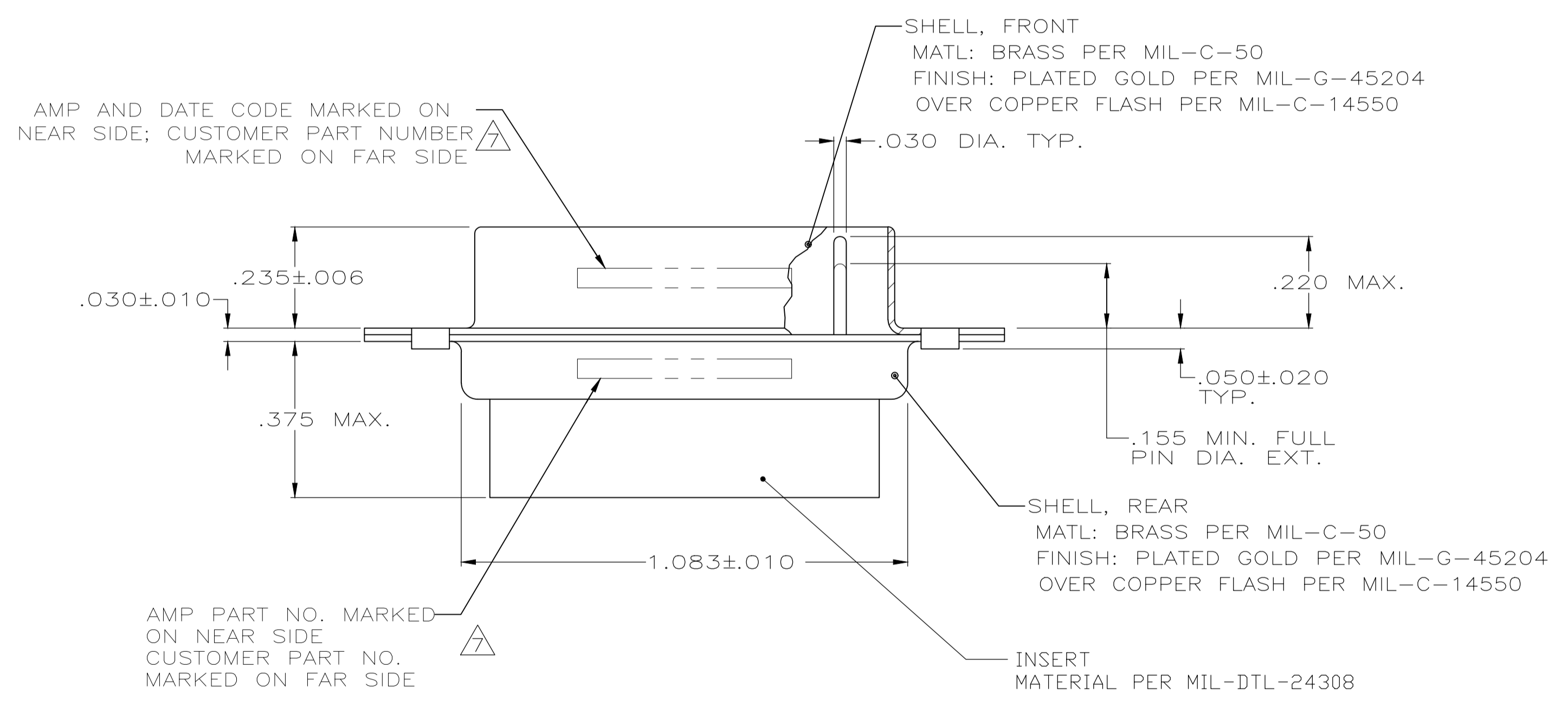
REVISIONS					
P	LTR	DESCRIPTION	DATE	DMN	APVD
R		REV PER ECO 20-009777	10-16-20	CT	DM



- △ THIS PLUG WILL MATE WITH ANY RECEPTACLE CONNECTOR WITH THE SAME INSERT ARRANGEMENT AS DEFINED BY MS18274-1.
- 2. MAXIMUM WIRE INSULATION TO BE USED WITH THIS PLUG IS .072 [1.83] DIA.
- 3. BERYLLIUM COPPER RETENTION CLIPS (15) ARE INCLUDED IN INSERT ASSEMBLY.
- 4. CONNECTOR SUPPLIED WITHOUT CONTACTS; SHOWN FOR ILLUSTRATION ONLY.
- △ THESE CONNECTORS ARE QUALIFIED TO GODDARD SPACE FLIGHT CENTER SPECIFICATION S-311-P-4.
- △ UL/CSA DESIGNATION MARKED IN THIS AREA, OPTIONAL.
- △ CUSTOMER PART NUMBER MAY BE SPLIT BETWEEN FRONT AND REAR SHELL, SAME SIDE. FAR SIDE REFERS TO WIDE SIDE OF KEYSTONE, NEAR SIDE REFERS TO NARROW SIDE OF KEYSTONE.
- △ RESTRICTED TO CAE ELECTRONICS ONLY.
- △ CONTACTS FOR 206798-8 ARE UNASSEMBLED.



CONTACT P/N 205089-1
 (MIL-39029/64-369) △
 (SUPPLIED WITH 206798-8 ONLY)
 QTY = 15



OBSOLETE	△ △	.120	570513-7	206798-9	206798-9
	△ △	.120	B41-P10009-0013	206798-8	206798-8
	△ △	.120	311P409-2P-B-12	206798-2	206798-7
		.120	122137P15P	206798-6	206798-6
		.120	2A014-002V-001	206798-4	206798-4
		.154	-	206798-3	206798-3
	△	.120	311P409-2P-B-12	206798-2	206798-2
	△	.154	311P409-2P-B-15	206798-1	206798-1
REMARKS		DIA A	MARK CUSTOMER P/N	MARK TE P/N	ASSEMBLY NUMBER

THIS DRAWING IS A CONTROLLED DOCUMENT.

DIMENSIONS: INCHES

TOLERANCES UNLESS OTHERWISE SPECIFIED:

0. PLC	± .005
1. PLC	± .005
2. PLC	± .005
3. PLC	± .005
4. PLC	± .005
ANGLES	± .005

MATERIAL: SEE CALLOUTS

FINISH: SEE CALLOUTS

WEIGHT: 0.000000

CUSTOMER DRAWING

DIN: T. WIEST 12-9-88

CHK: A. EMADI 12-11-88

APVD: -

NAME: -

PRODUCT SPEC: -

APPLICATION SPEC: -

SIZE: A1

CAGE CODE: 00779

DRAWING NO: 206798

RESTRICTED TO: -

SCALE: 4:1

SHEET: 1 OF 1

REV: R

STE TE Connectivity

PLUG FOR PIN CONTACTS
 SERIES 109, SIZE 2
 15 POSITION

单击下面可查看定价，库存，交付和生命周期等信息

[>>TE Connectivity\(泰科\)](#)