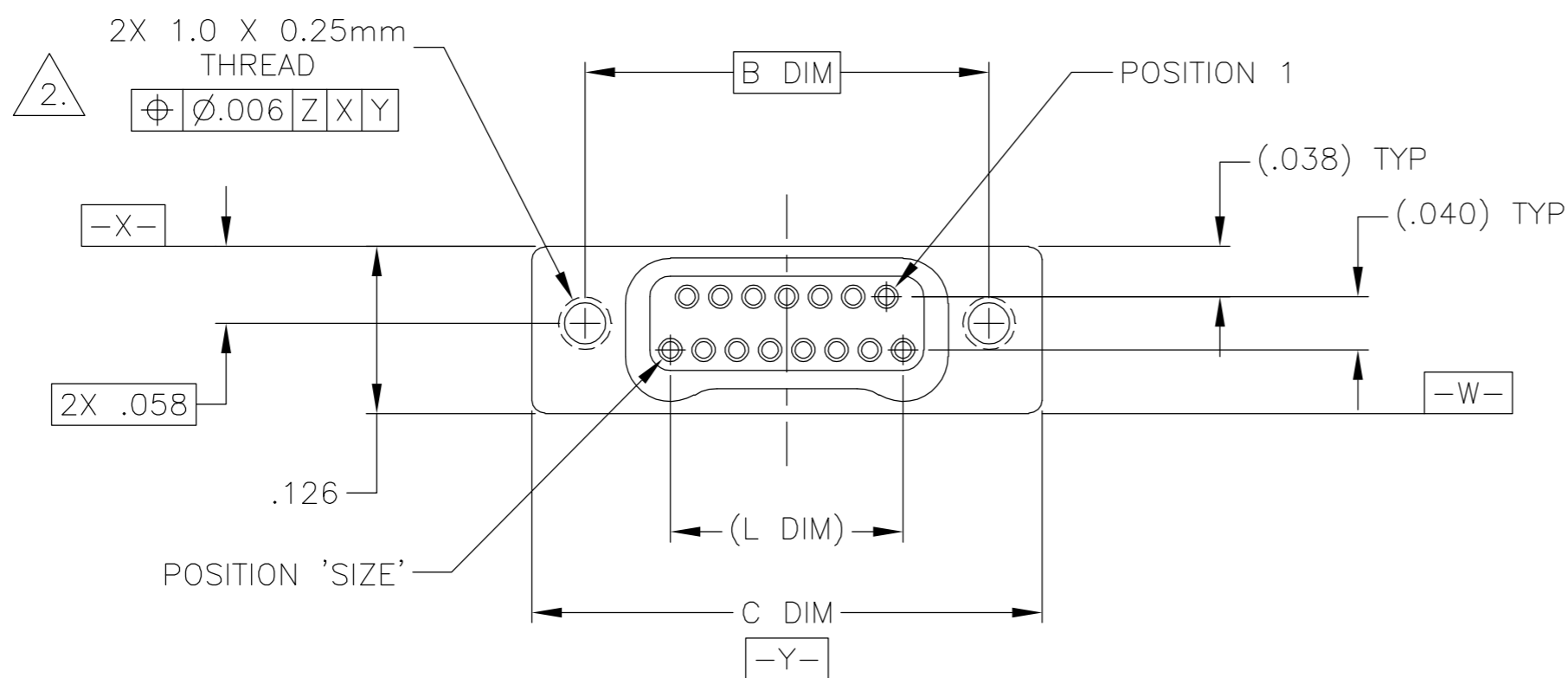
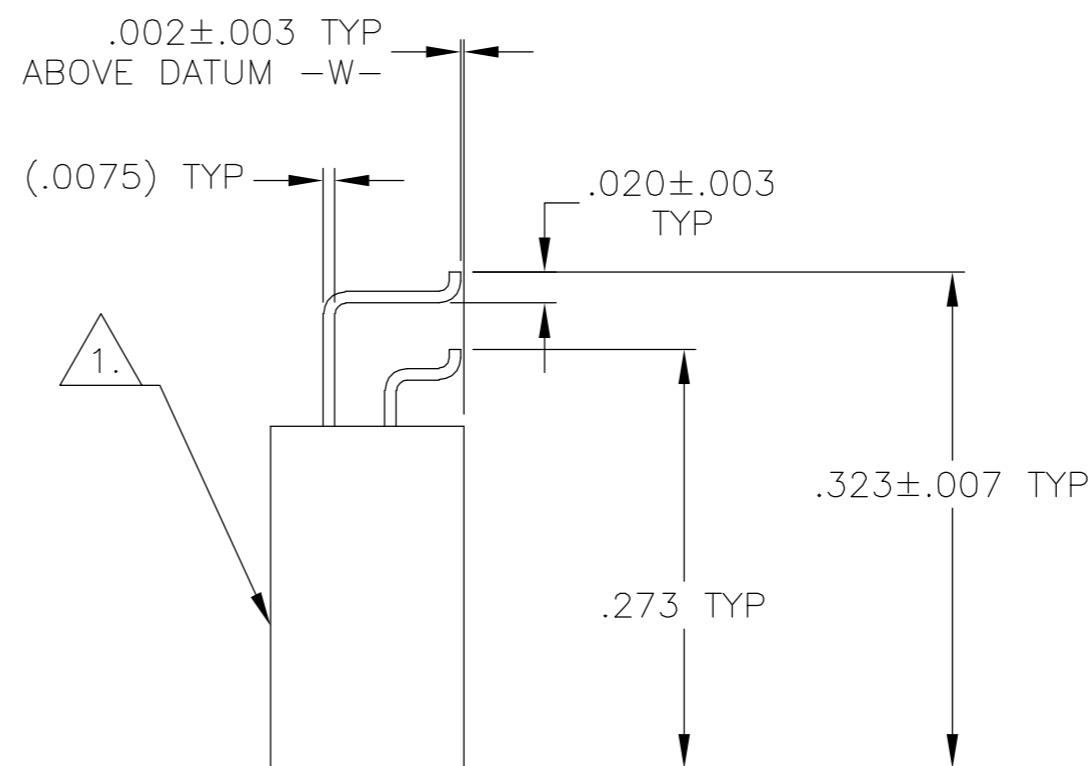
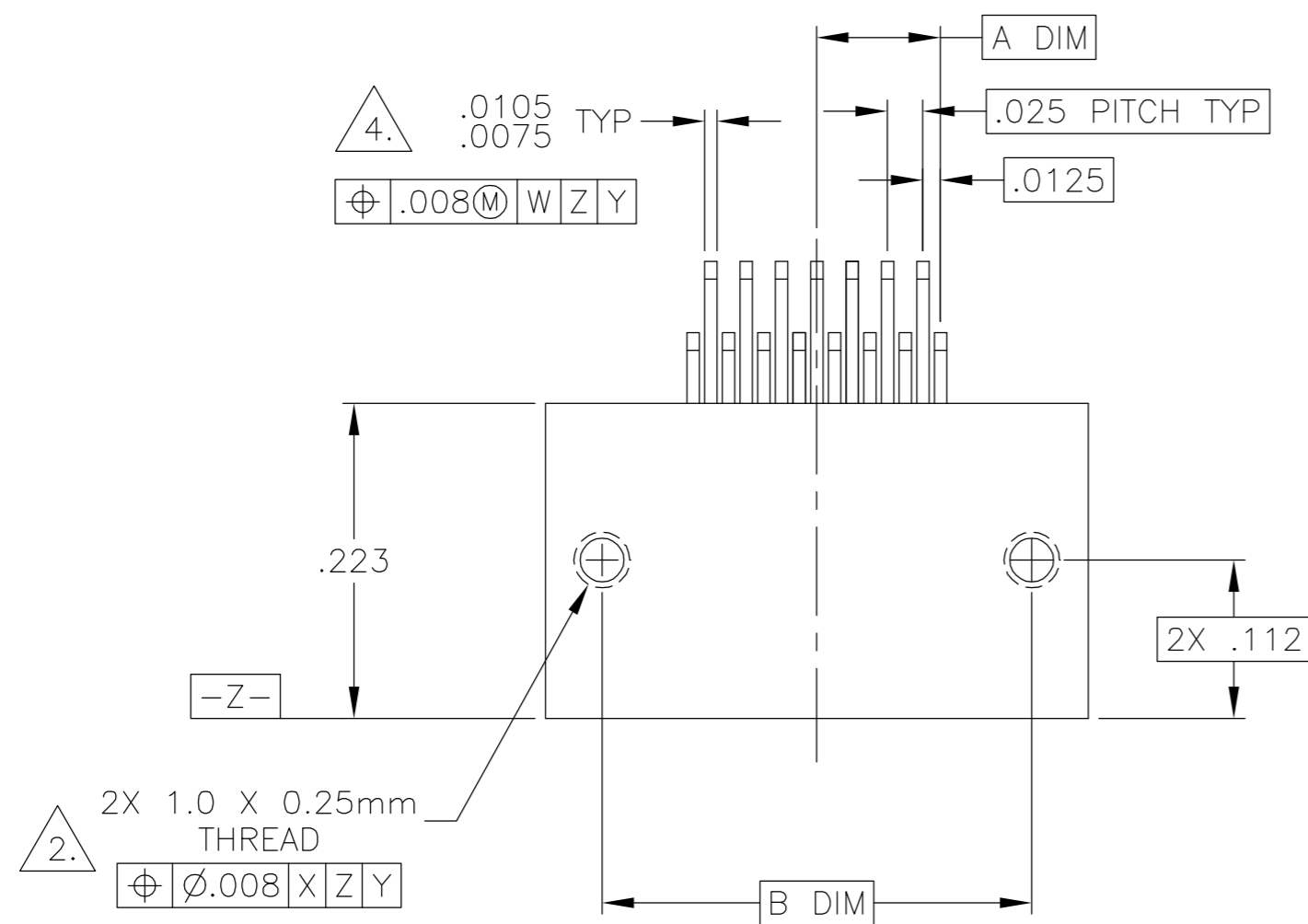


THIS DRAWING IS UNPUBLISHED. RELEASED FOR PUBLICATION  
 © COPYRIGHT BY TYCO ELECTRONICS CORPORATION. ALL RIGHTS RESERVED.

LOC		DIST		REVISIONS			
P	LTR	DESCRIPTION	DATE	DWN	APVD		
DF	DO	B	UPDATE PER 0H2Y-0164-04	12 MAY 04	CAS	MKS	



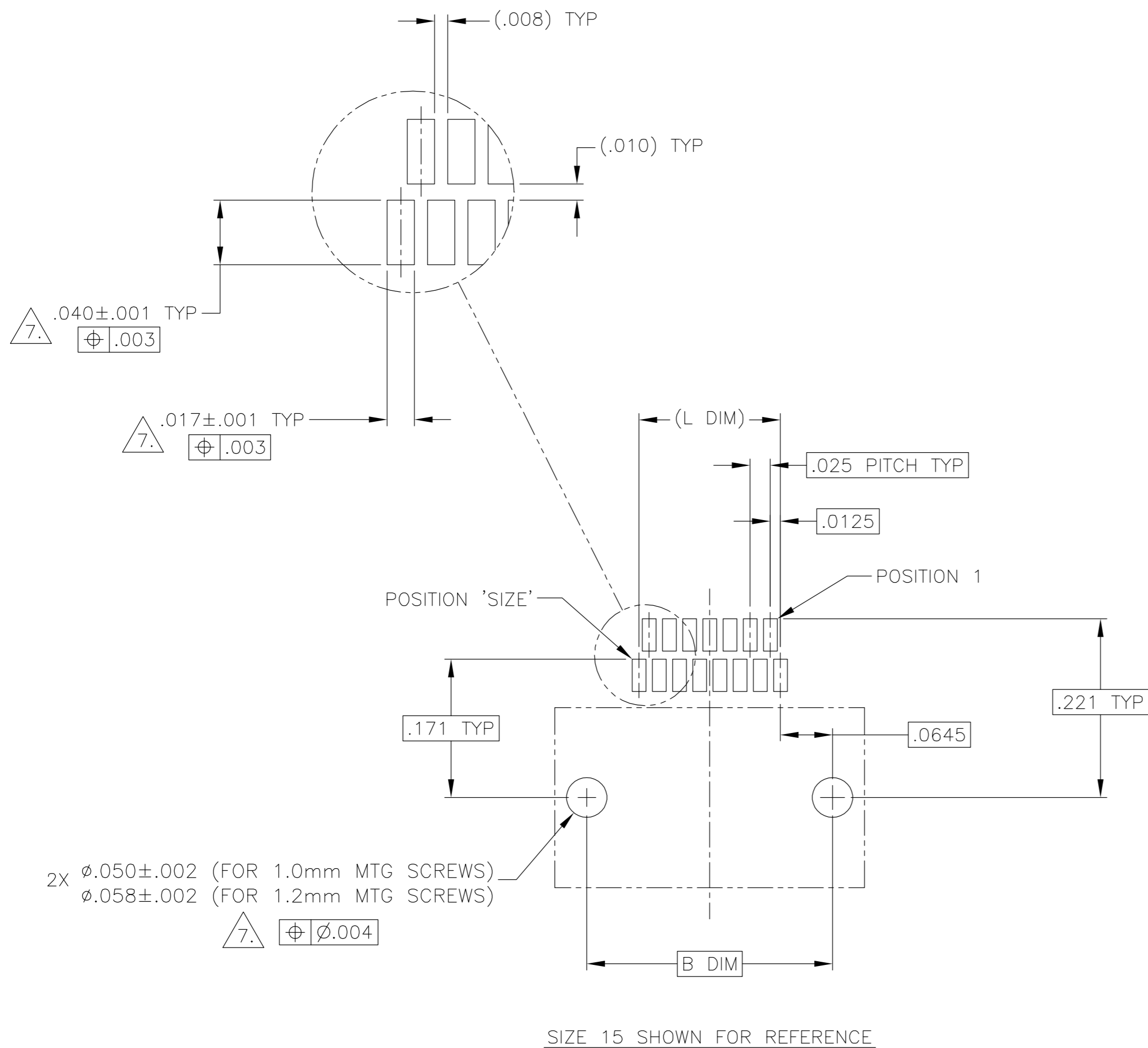
1. SHELL OPTIONS (TO BE SPECIFIED IN NANONICS PART NUMBER):  
 METAL: 6061-T6 ALUMINUM, ELECTROLESS NICKEL PLATED PER MIL-C-26074 (STANDARD) OR GOLD PLATED PER MIL-G-45204  
 303 STAINLESS STEEL, PASSIVATED PER SAE-AMS-QQ-P-35  
 INSULATOR MATERIAL FOR ALL METAL SHELLS IS LIQUID CRYSTAL POLYMER (LCP) PER MIL-M-24519 OR PER ASTM D5138  
 PLASTIC: LIQUID CRYSTAL POLYMER (LCP) PER MIL-M-24519 OR PER ASTM D5138
2. STANDARD 1.0 X 0.25mm MOUNTING AND JACKSCREW THREADS ARE SHOWN FOR REFERENCE ONLY AND MUST BE SPECIFIED IN THE NANONICS PART NUMBER WHEN REQUIRED. 1.2 X 0.25mm THREADS ALSO AVAILABLE.
3. MOUNTING HARDWARE IS AVAILABLE WITH THIS CONFIGURATION (NOT SHOWN). HARDWARE MUST BE SPECIFIED IN THE NANONICS PART NUMBER. CONSULT TYCO ELECTRONICS FOR DETAILS.
4. SMT LEADS ARE BeCu, GOLD PLATED PER MIL-G-45204 OVER NICKEL PLATE PER SAE-AMS-QQ-N-290
5. NANONICS TERMINATION CODE: T2
6. THIS DRAWING PREVIOUSLY IDENTIFIED AS NANONICS N10138/270

SIZE	A DIM	B DIM	C DIM ±.0050	(L DIM)
09	.050	.229	.3085	(.100)
15	.0875	.304	.3835	(.175)
25	.150	.429	.5085	(.300)
37	.225	.579	.6585	(.450)
51	.3125	.754	.8335	(.625)
65	.400	.929	1.0085	(.800)

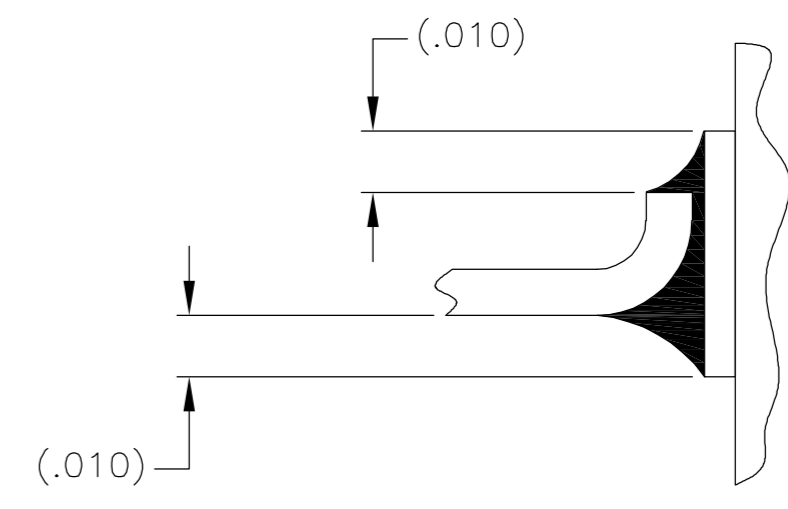
THIS DRAWING IS A CONTROLLED DOCUMENT.		DWN C. SCHOLL 6 AUG 03	Tyco Electronics Corporation Harrisburg, PA 17105	
DIMENSIONS: INCHES		CHK M. STORRY 6 AUG 03		
TOLERANCES UNLESS OTHERWISE SPECIFIED:		APVD -	NAME	
0 PLC ± -		PRODUCT SPEC	RECEPTACLE ASSEMBLY, HORIZONTAL SURFACE	
1 PLC ± -		APPLICATION SPEC	MOUNT, TWO ROW DUALLOBE, GOLD	
2 PLC ± .010			PLATED LEADS, PLASTIC OR METAL	
3 PLC ± .005			SIZE	CAGE CODE
4 PLC ± -			A2	00779
ANGLES ± 1		WEIGHT	DRAWING NO	RESTRICTED TO
FINISH		CUSTOMER DRAWING	C=1589815	-
SEE NOTES		SCALE	8:1	SHEET 1 OF 2
		REV	B	

THIS DRAWING IS UNPUBLISHED. RELEASED FOR PUBLICATION  
 © COPYRIGHT BY TYCO ELECTRONICS CORPORATION. ALL RIGHTS RESERVED.

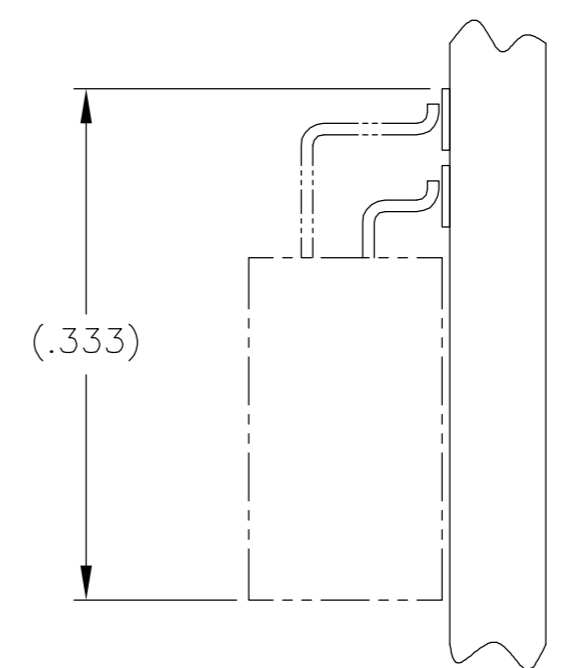
LOC		DIST		REVISIONS			
P	LTR	DESCRIPTION		DATE	DWN	APVD	
	B	UPDATE PER 0H2Y-0164-04		12 MAY 04	CAS	MKS	



TYPICAL PCB LAYOUT



TYPICAL FOOT PLACEMENT ON SOLDER PAD



7.  $\Delta$  POSITIONAL TOLERANCES FOR BASIC DIMENSIONED FEATURES ARE RELATIVE TO FIDUCIALS OR SOME SIMILAR DATUM REFERENCE DEFINED BY THE PCB DESIGNER.

THIS DRAWING IS A CONTROLLED DOCUMENT.		DWN C. SCHOLL 6 AUG 03	Tyco Electronics Corporation Harrisburg, PA 17105
DIMENSIONS: INCHES		CHK M. STORRY 6 AUG 03	
TOLERANCES UNLESS OTHERWISE SPECIFIED:		APVD -	NAME
0 PLC ± -		PRODUCT SPEC	RECEPTACLE ASSEMBLY, HORIZONTAL SURFACE
1 PLC ± -		APPLICATION SPEC	MOUNT, TWO ROW DUALLOBE, GOLD PLATED LEADS, PLASTIC OR METAL
2 PLC ± -		WEIGHT	SIZE CAGE CODE DRAWING NO RESTRICTED TO
3 PLC ± -		CUSTOMER DRAWING	A2 00779 C=1589815 -
4 PLC ± -		SCALE 8:1	SHEET 2 OF 2
ANGLES ± -		REV B	
FINISH			

1589815

单击下面可查看定价，库存，交付和生命周期等信息

[>>TE Connectivity\(泰科\)](#)