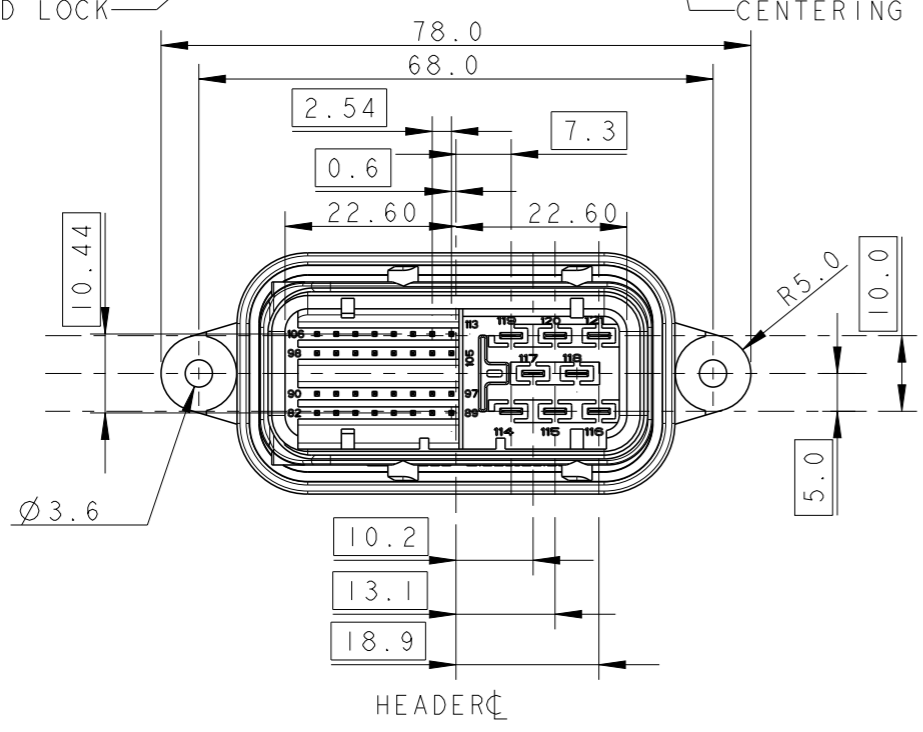
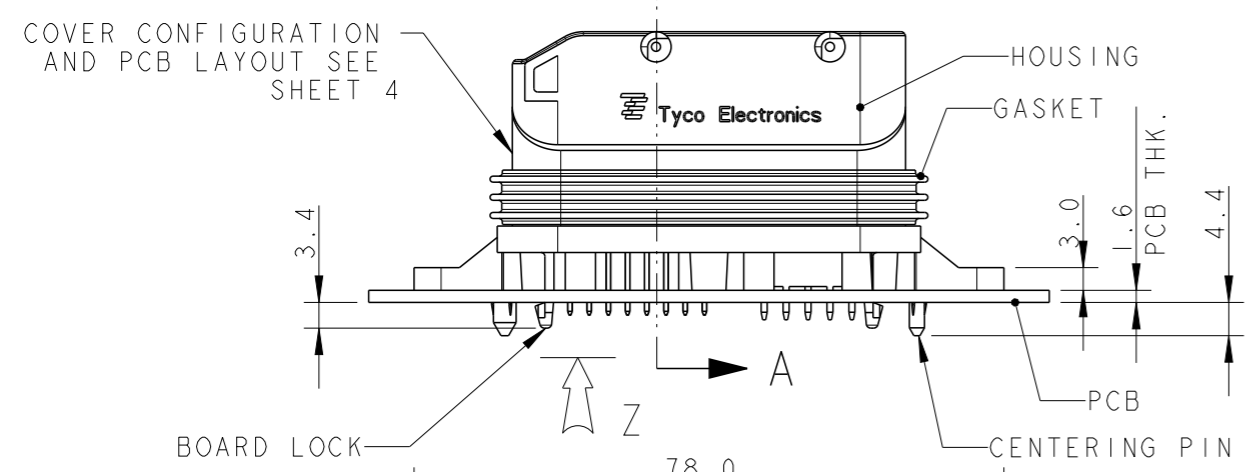
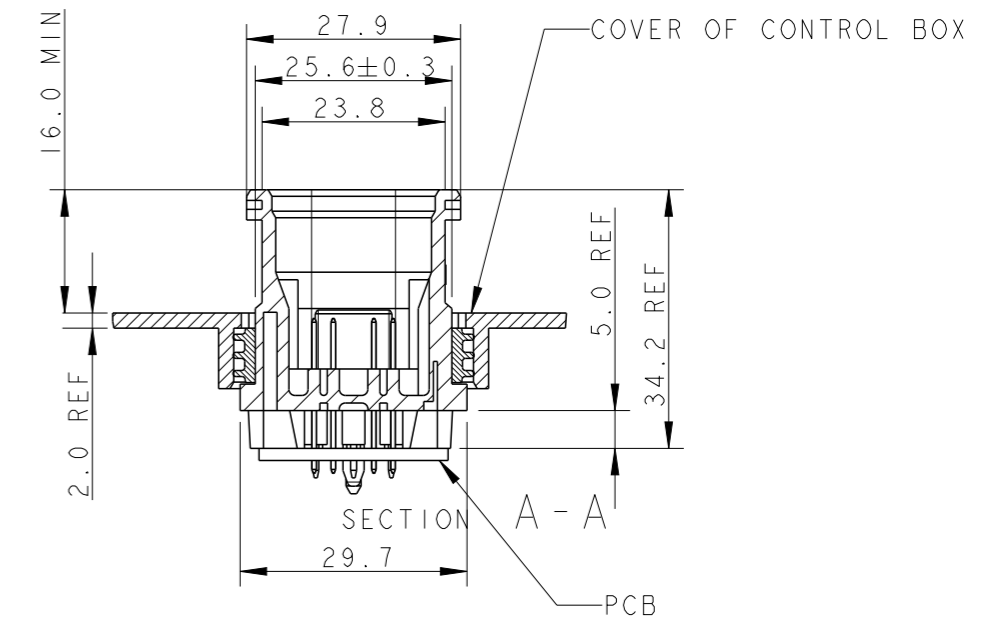
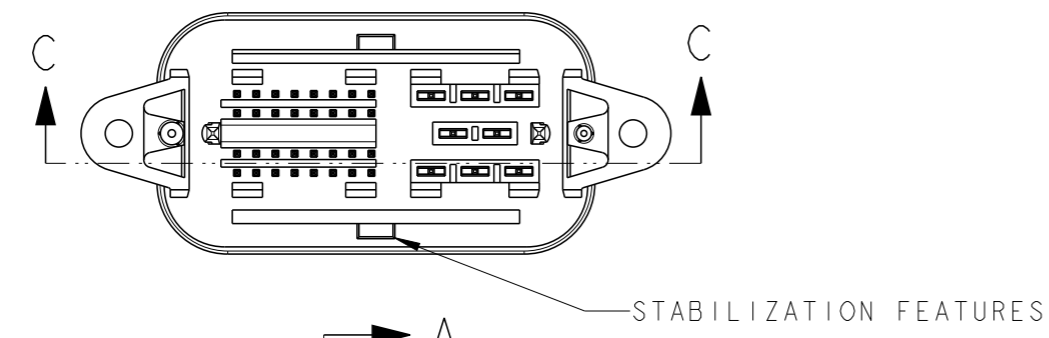
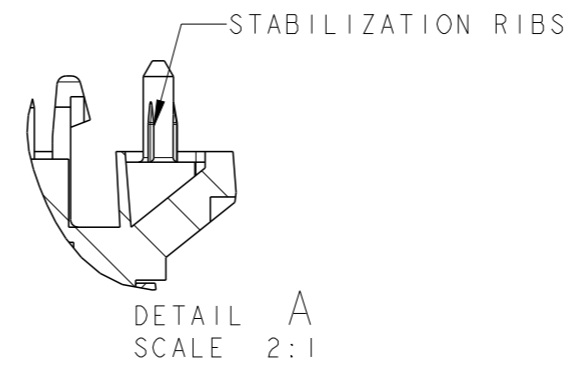
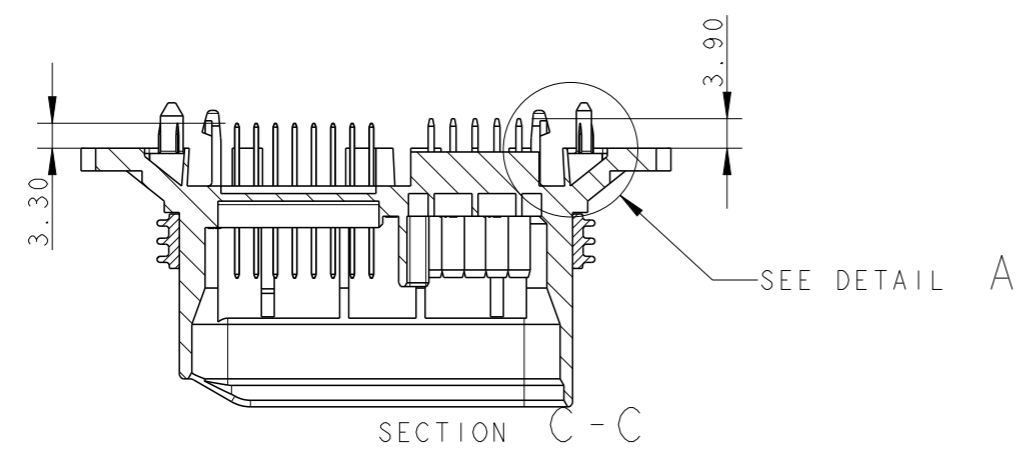


THIS DRAWING IS UNPUBLISHED. RELEASED FOR PUBLICATION 20  
 © COPYRIGHT 20 BY - ALL RIGHTS RESERVED.

LOC	DIST	REVISIONS			
P	LTR	DESCRIPTION	DATE	DWN	APVD
1	-	E	UPDATED	22JAN2013	KR JC



P/N 293266-2 AS SHOWN  
 ⚠ HOUSING: PA 66 WITH 25% GLASS FIBER  
 FLAMMABILITY ACCORDING UL 94;V0  
 CONTACTS: TIN PLATED COPPER ALLOY

- 2) PART DESIGNED TO BE MATED WITH COUNTERPART PART NUMBER X-368383-X & X-1473252-X
- 3) MATED WITH PROPERLY SEALED COUNTERPART IT'S POSSIBLE TO GUARANTEE AN IP DEGREE OF PROTECTION 4.7

THE PRESENTED PRODUCT / DESIGN WILL BE RELEASED FOR THE MANUFACTURING OF THE NECESSARY PRODUCTION TOOLS. HEREBY, FURTHER CHANGES HAS TO BE PAID BY CUSTOMER.  
 DATE, SIGN OF THE CUSTOMER

THIS DRAWING IS A CONTROLLED DOCUMENT.		DWN A. Vecchia 11JUL2006	TE Connectivity	
DIMENSIONS: mm		CHK G. Turco 11JUL2006		
TOLERANCES UNLESS OTHERWISE SPECIFIED:		APVD -	NAME 32+8 POS MQS HEADER WITH MOUNTING FLANGES	
0 PLC ±-		PRODUCT SPEC 108-20290	SIZE A300779	CAGE CODE C-293266
1 PLC ±0.2		APPLICATION SPEC -	RESTRICTED TO -	
2 PLC ±0.10		WEIGHT -	SCALE 1:1	
3 PLC ±-		Customer Drawing		
4 PLC ±-		SHEET 1 OF 2		
ANGLES ±-		REV E		
FINISH -				



单击下面可查看定价，库存，交付和生命周期等信息

[>>TE Connectivity\(泰科\)](#)