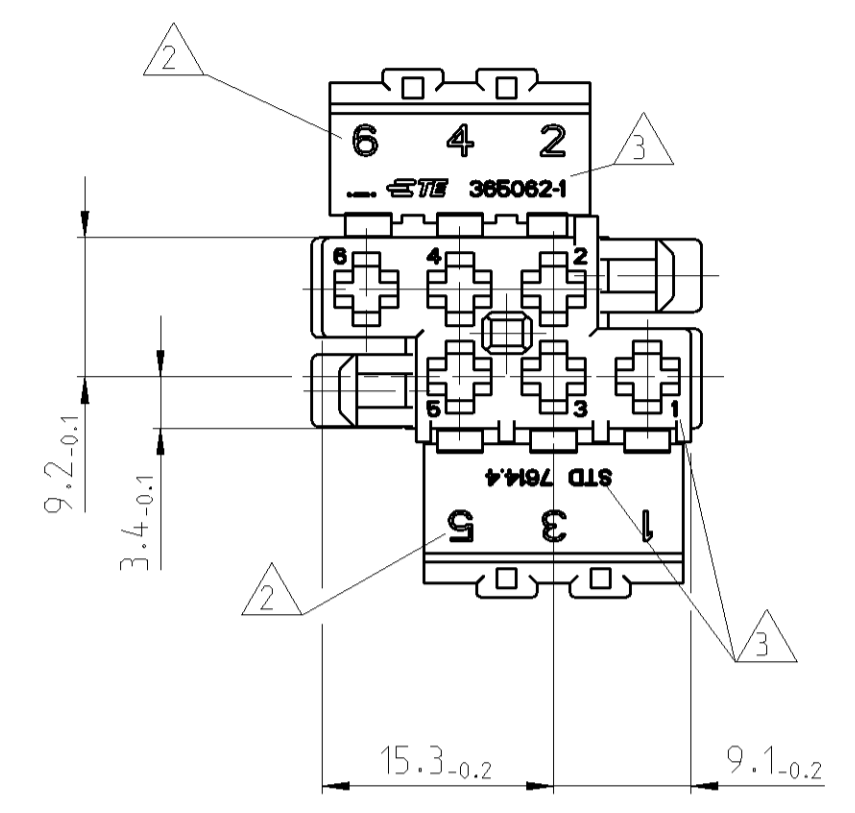
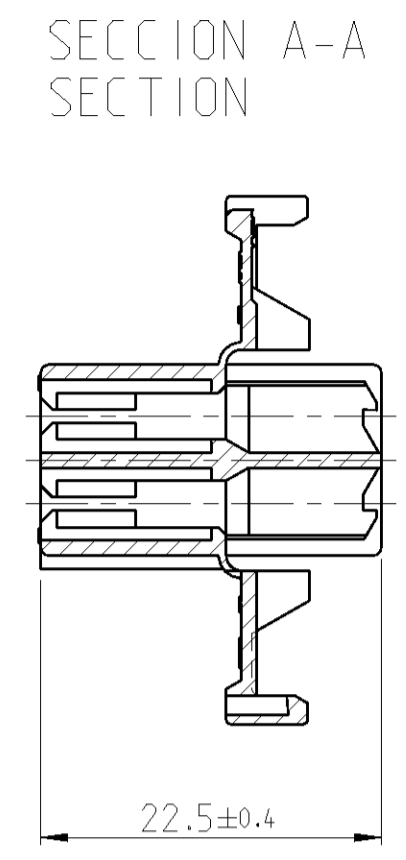
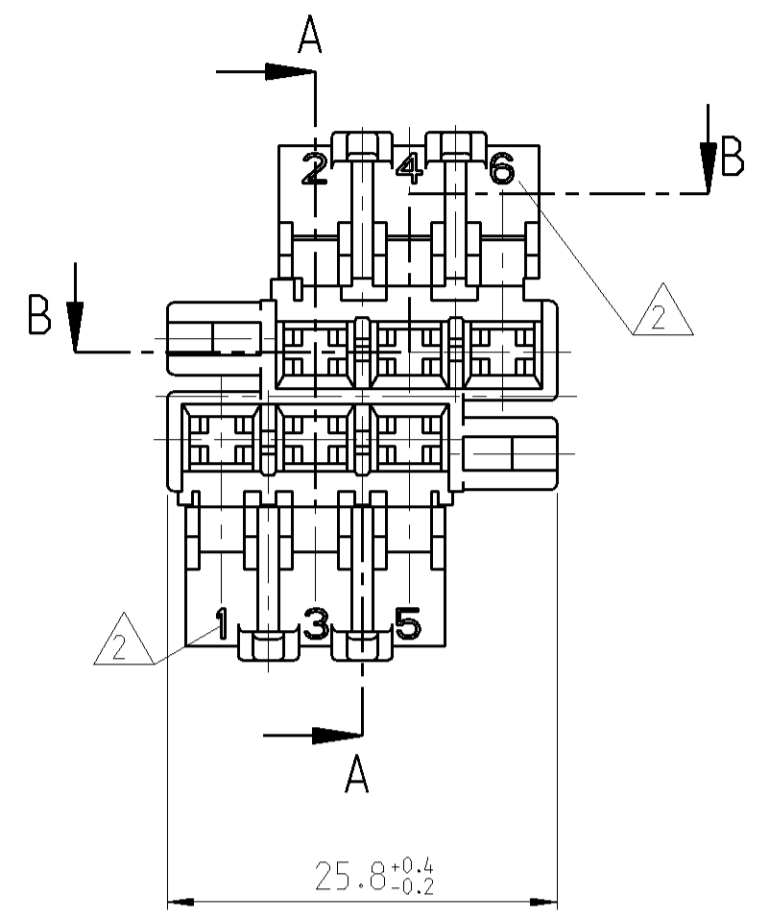
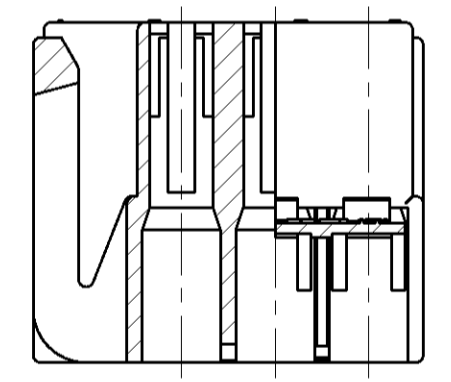


THIS DRAWING IS UNPUBLISHED. RELEASED FOR PUBLICATION 2011
 © COPYRIGHT 2011 ALL RIGHTS RESERVED.

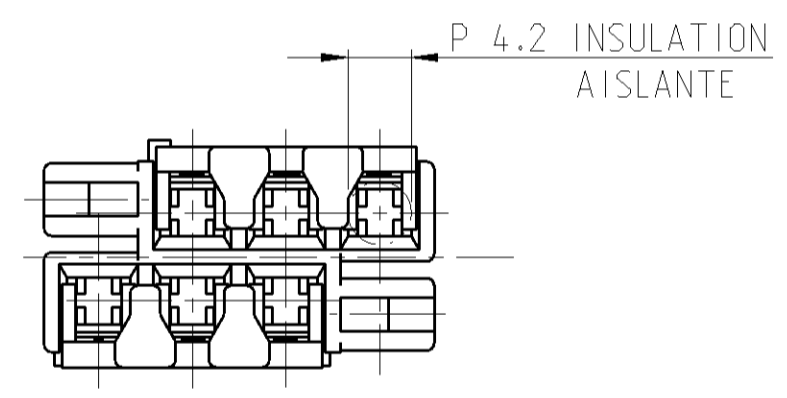
LOC	DIST	REVISIONS			
P	LTR	DESCRIPTION	DATE	DWN	APVD
AL	2	E1	ECR 12-004643	17APR2012	XP RS



SECCION B-B SECTION



DETALLE CAJA CON BISAGRA CERRADA HOUSING WITH FLAP



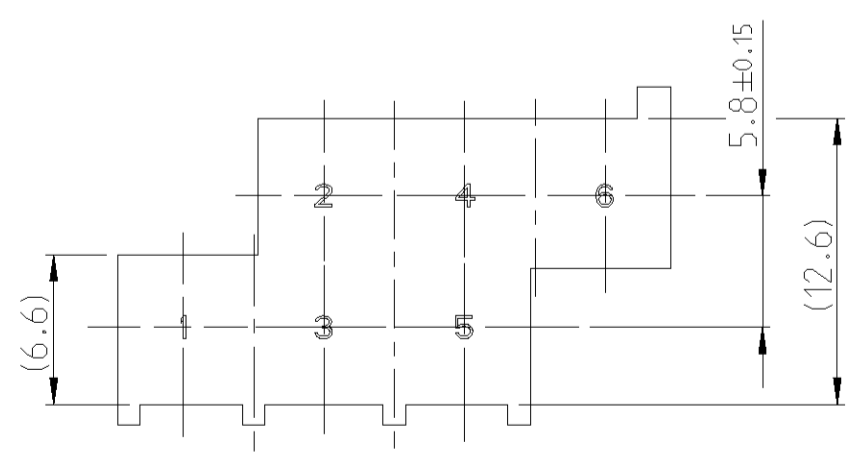
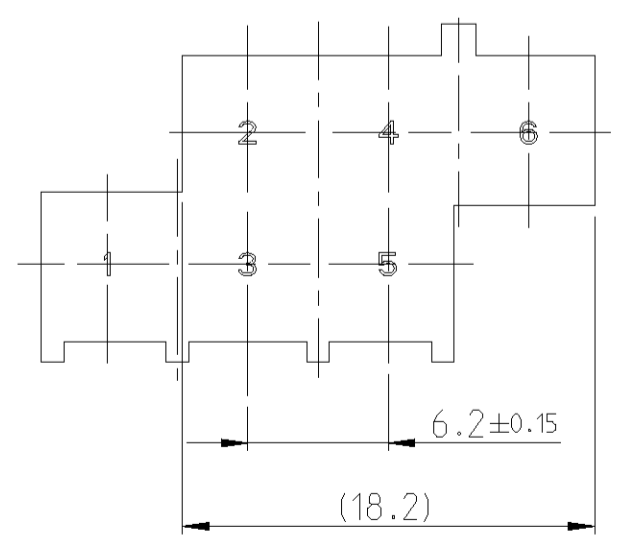
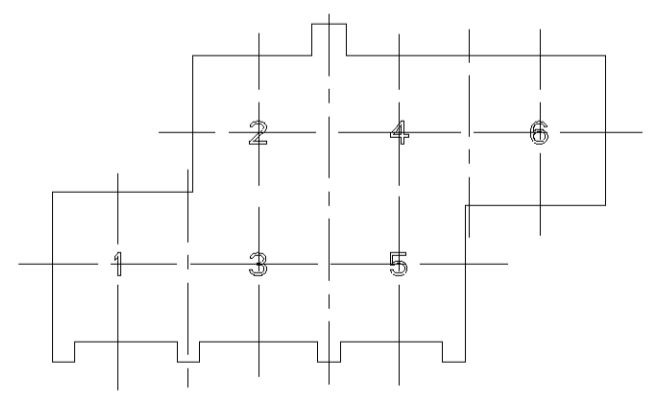
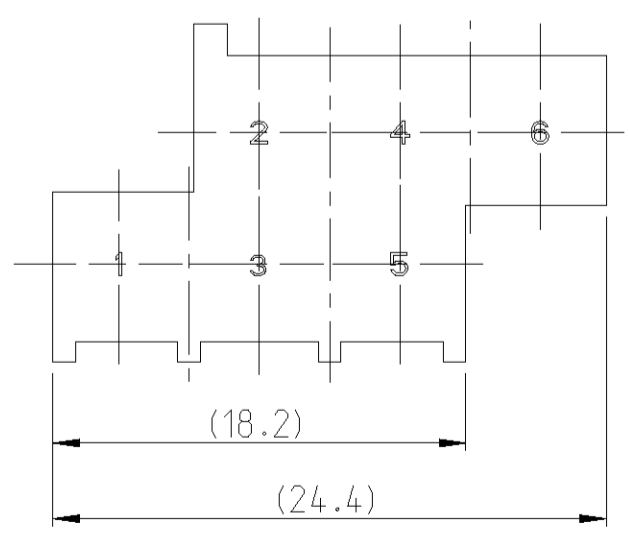
- 1 MATERIAL Y COLORES HAN DE ESTAR LIBRES DE CADMIO MATERIAL AND COLORS ARE FREE OF CADMIUM
- 2 ALTURA LETRA 2 CHARACTER HEIGHT 2
- 3 ALTURA LETRA 1 CHARACTER HEIGHT 1
- 4 USAR CON 365061 FITTING WITH 365061
- 5 LAS PIEZAS DEBEN IR EMPAQUETADAS HERMETICAMENTE Y SU CONTENIDO DE HUMEDAD DEBE SER 2.5±1% PARTS MUST BE AIR TIGHT PACKAGED, MOISTURE CONTENT MUST BE 2.5±1%

CODIGO 1 CODING

CODIGO 2 CODING

CODIGO 3 CODING

CODIGO 4 CODING



CODE NO.	PART NO.	MATERIAL	COLOUR
CODE 4	365062-4	PA 6.6	YELLOW
CODE 3	365062-3	PA 6.6	BLACK
CODE 2	365062-2	PA 6.6	GREY
CODE 1	365062-1	PA 6.6	NATUR

THIS DRAWING IS A CONTROLLED DOCUMENT.

DWN	R. ULLRICH	19OCT1984
CHK	J. PASCUAL	15JUN1993
APVD	L. RATIÑO	15JUN1993

TE Connectivity

6 POS. HOUSING FOR JUNIOR TIMER CONTACT

SIZE	A2	CAGE CODE	00779	DRAWING NO	C-365062	RESTRICTED TO	-
SCALE	2:1	SHEET	1	OF	1	REV	E1

SEE PART LIST

CUSTOMER DRAWING

单击下面可查看定价，库存，交付和生命周期等信息

[>>TE Connectivity\(泰科\)](#)