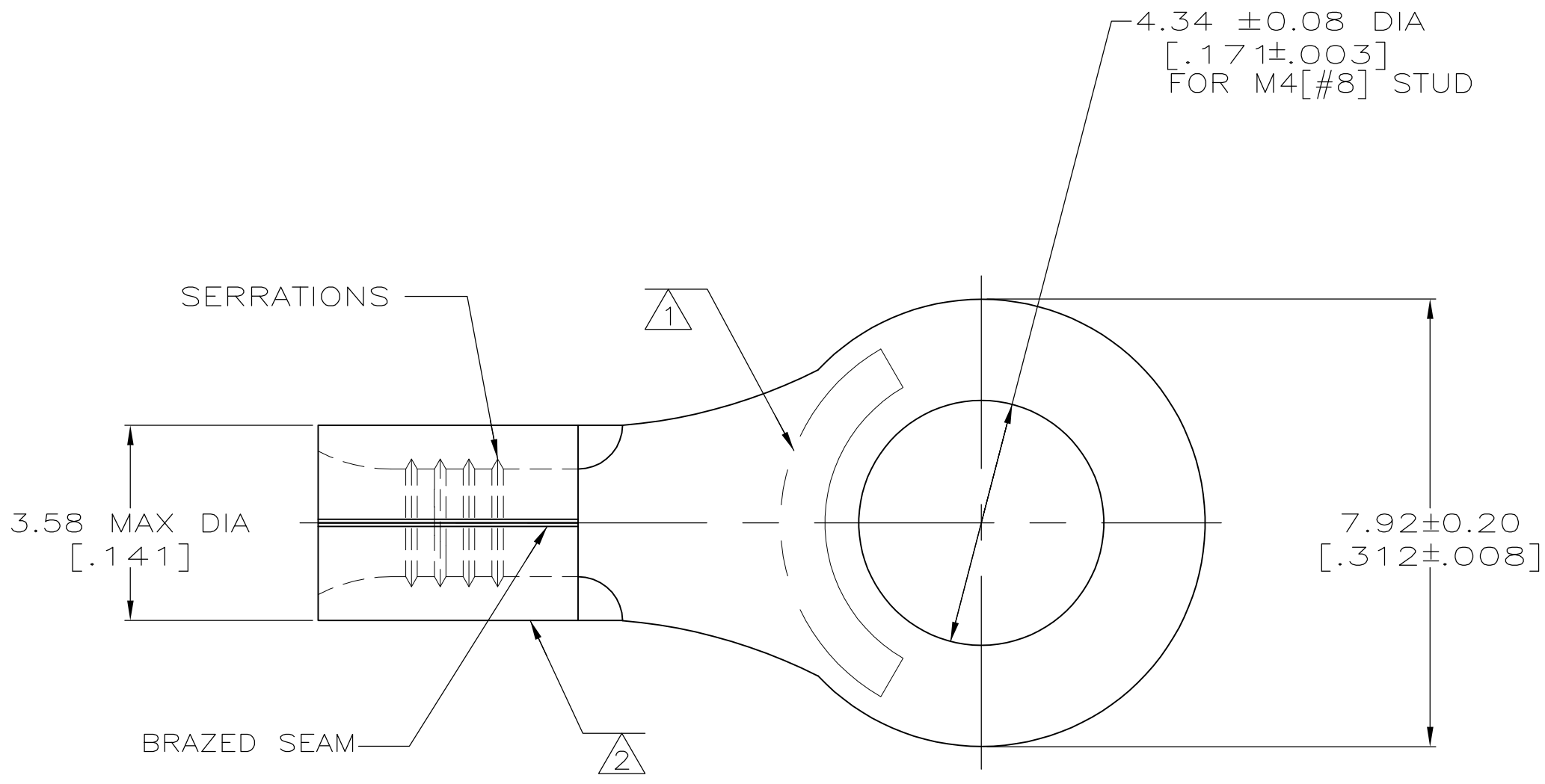


THIS DRAWING IS UNPUBLISHED. RELEASED FOR PUBLICATION
 © COPYRIGHT - By - ALL RIGHTS RESERVED.

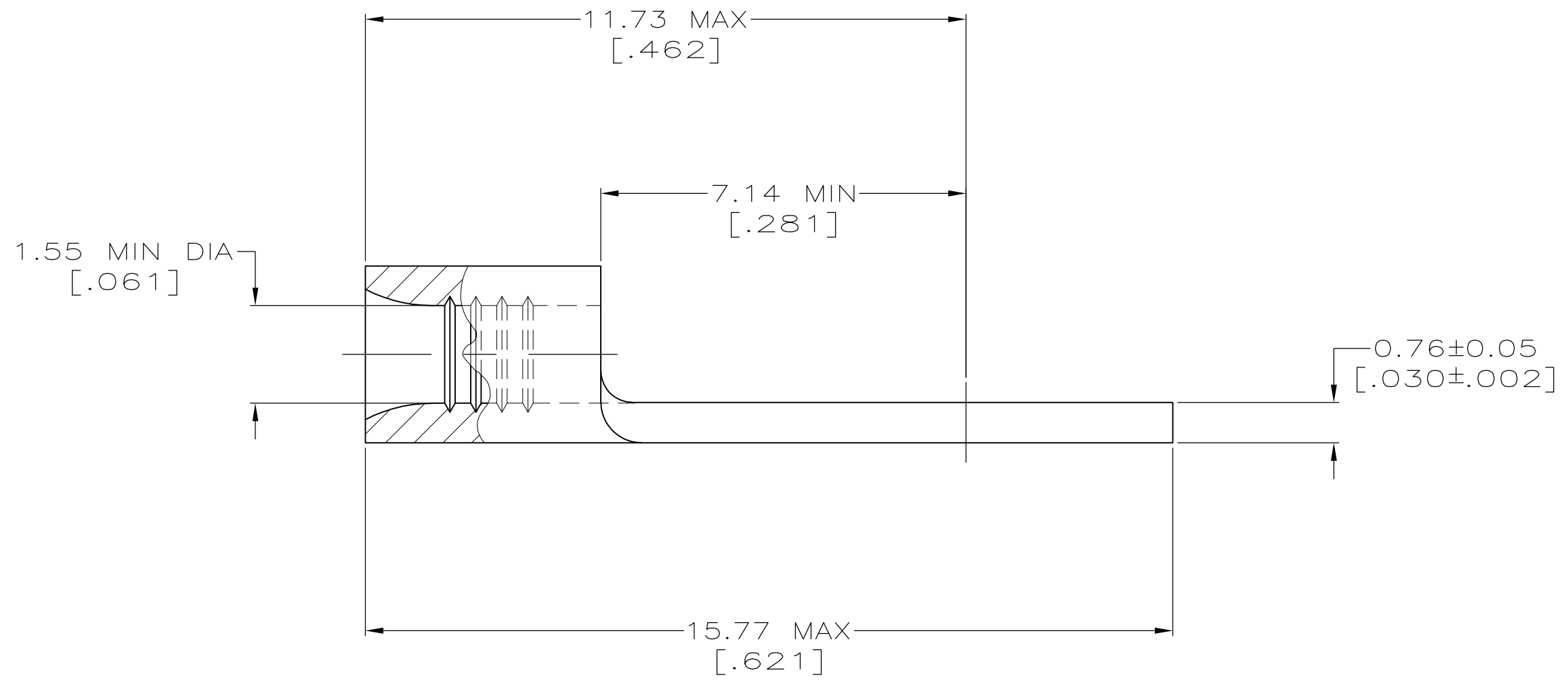
LOC		DIST		REVISIONS			
P	LTR	DESCRIPTION		DATE	DWN	APVD	
G	14	J2	REVISED PER ECO-12-003796	28FEB12	KH	DR	

AMP
WIRE RANGE

22-16 AWG
SOLID OR STRANDED



- 1 STAMP AMP 22-18 APPROX AS SHOWN
22-16 TERMINALS ARE STAMPED 22-18 IN ACCORDANCE WITH MILITARY SPECIFICATION SAE AS7928; COMMERCIAL WIRE RANGE IS 22-16
- 2 WIRE BARREL COLOR CODED ORANGE TO DENOTE NICKEL MATERIAL
- 3 NICKEL PER ASTM B-162, ANNEALED
- 4 NICKEL-CHROMIUM ALLOY THERMOCOUPLE MATERIAL "TYPE K" POSITIVE LEAD PER ASTM E230, ANNEALED.
- 5 NICKEL-MAGNANESE-ALUMINUM ALLOY THERMOCOUPLE MATERIAL "TYPE K" NEGATIVE LEAD PER ASTM E230, ANNEALED.
- 6 GOLD PLATE 0.00127[.000050] MIN EXT. THK ASTM B488, TYPE1, CODE C OVER NICKEL FLASH PER SAE AMS QQ-N-290 WOODS NICKEL FLASH PER ASTM B558.
- 7 NOTE DELETED



MAX OPERATING TEMPERATURE	QTY	PACKAGE TYPE	MATERIAL	FINISH	PART NO.
649°C [1200°F]	1000	LOOSE PIECE	5	NONE	2-321895-4
649°C [1200°F]	1000	LOOSE PIECE	4	NONE	2-321895-2
649°C [1200°F]	1000	LOOSE PIECE	3	NONE	2-321895-1
260°C [500°F]	1000	LOOSE PIECE	3	6	321895-1
649°C [1200°F]	1000	LOOSE PIECE	3	2	321895

CUSTOMER SERVICE SYSTEMS		MAX RECOMMENDED OPERATING TEMPERATURE: SEE TABLE
FOR ADDITIONAL PRODUCT INFORMATION OR COPIES OF DRAWINGS AND TECHNICAL DOCUMENTS	PRODUCT INFORMATION CENTER 1-800-522-6752	VOLTAGE RATING: NONE
FOR APPLICATION TOOLING INFORMATION	TOOLING ASSISTANCE CENTER 1-800-722-1111	CIRCULAR MIL AREA: 0.26-1.65mm² [509-3260] SOLID OR STRANDED
FOR ORDER ENTRY	1-800-526-5142	THIS DRAWING IS A CONTROLLED DOCUMENT FOR AMP INCORPORATED. IT IS SUBJECT TO CHANGE AND THE CONTROLLING ENGINEERING ORGANIZATION SHOULD BE CONTACTED FOR THE LATEST REVISION.

THIS DRAWING IS A CONTROLLED DOCUMENT.	
DIMENSIONS: MM [INCHES]	TOLERANCES UNLESS OTHERWISE SPECIFIED:
0 PLC ± -	1 PLC ± -
2 PLC ± 0.20 [.008]	3 PLC ± -
4 PLC ± -	ANGLES ± -
MATERIAL SEE TABLE	FINISH SEE TABLE

DWN TA BRINKMAN 4-15-93		NAME		
CHK DA PATTERSON 4-15-93		TERMINAL, RING TONGUE, HIGH TEMPERATURE, STRATO-THERM, SOLISTRAND		
APVD JL MECKLEY 4-15-93		SIZE	CAGE CODE	DRAWING NO
PRODUCT SPEC		A2	00779	C-321895
APPLICATION SPEC	WEIGHT	RESTRICTED TO	SCALE	
—	—	—	10:1	
CUSTOMER DRAWING	SHEET	1 OF 1	REV	
—	—	—	J2	

单击下面可查看定价，库存，交付和生命周期等信息

[>>TE Connectivity\(泰科\)](#)