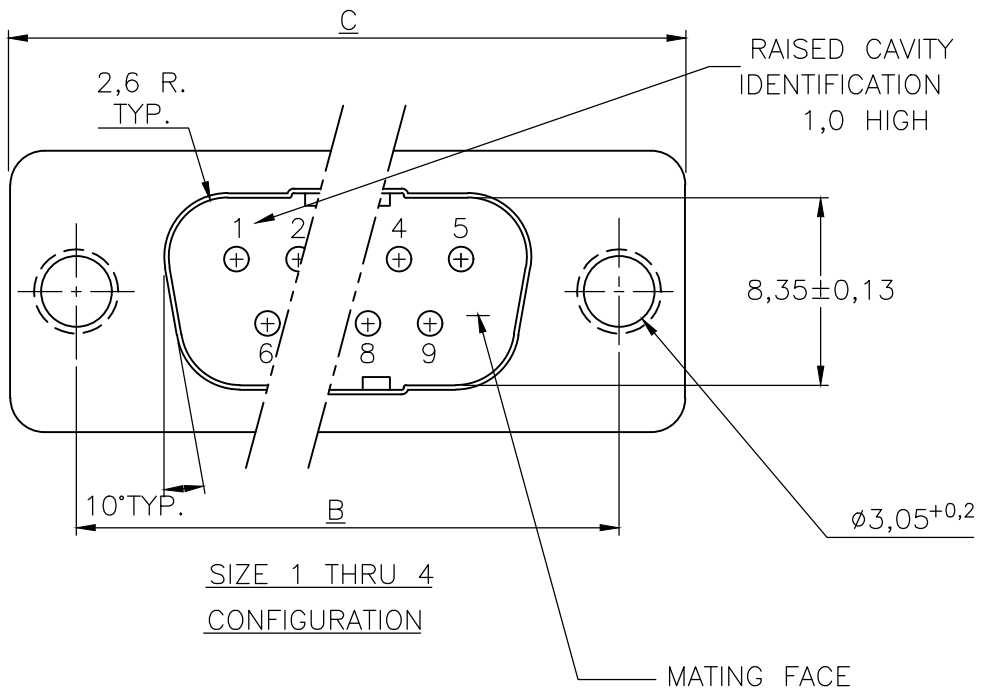


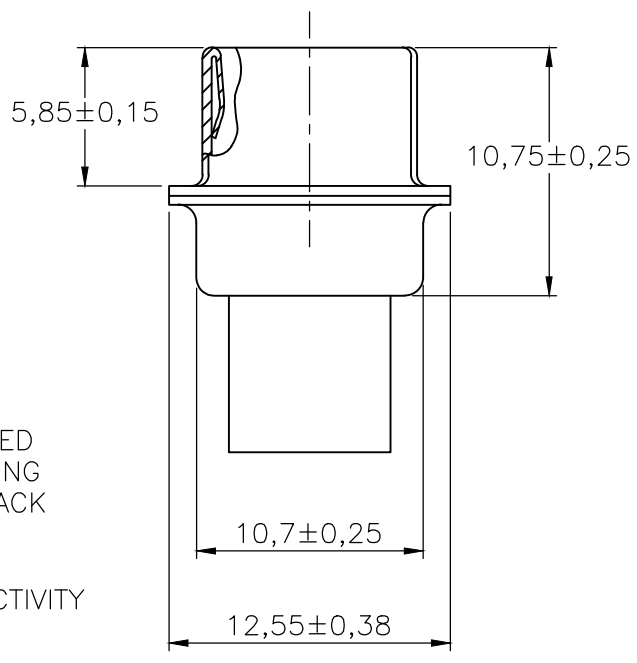
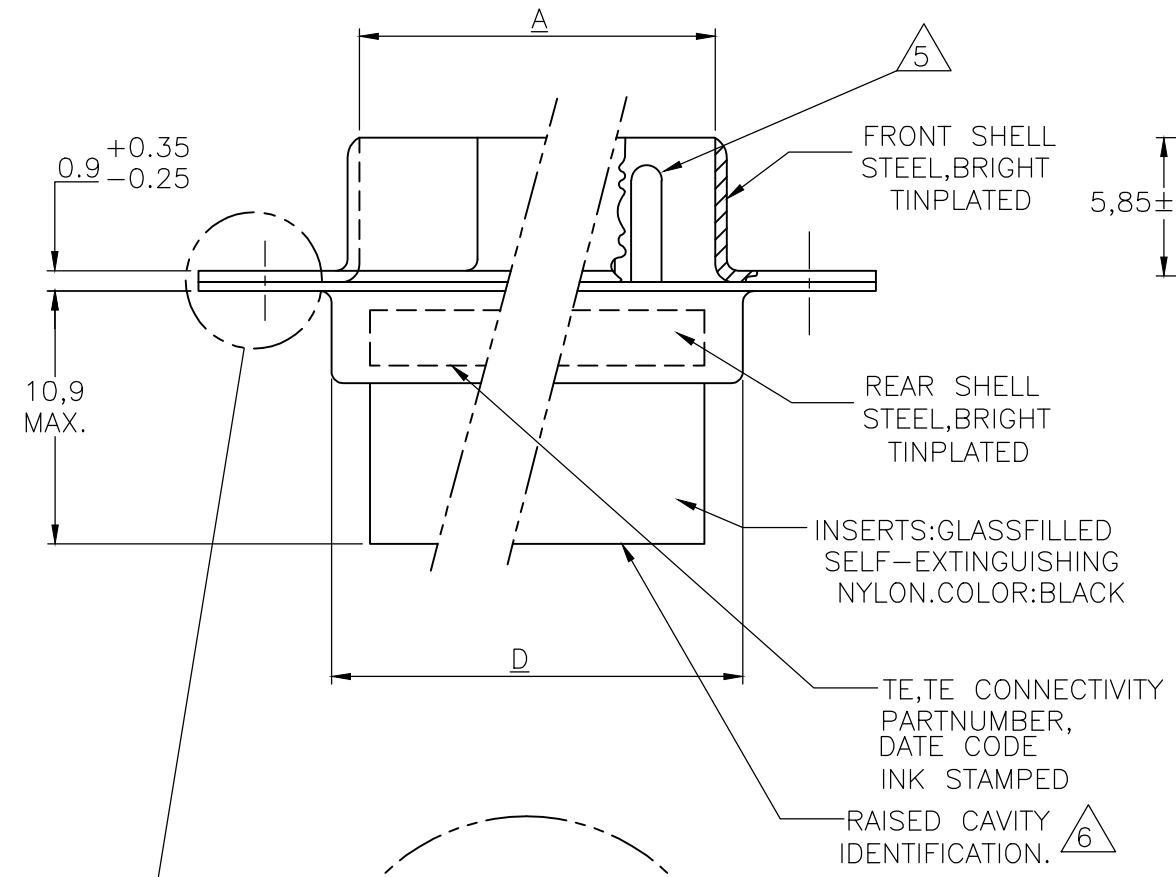
THIS DRAWING IS UNPUBLISHED. RELEASED FOR PUBLICATION  
 © COPYRIGHT - By - ALL RIGHTS RESERVED.

| LOC | DIST | REVISIONS   |                           |           |      |    |
|-----|------|-------------|---------------------------|-----------|------|----|
| P   | LTR  | DESCRIPTION | DATE                      | DWN       | APVD |    |
| H   | -    | R           | REVISED PER ECO-18-001571 | 08FEB2018 | AP   | DG |



NOTES:

- THIS PLUG ACCEPTS SIZE 20 PIN CONTACTS.
  - MAXIMUM WIRE INSULATION RECOMMENDED FOR USE WITH THIS PLUG IS 1,73 DIA. MAX..
  - RETENTION TINES ARE AN INTEGRAL PART OF INSERT.
  - FOLLOWING INSERTION/REMOVAL TOOLS ARE RECOMMENDED FOR USE WITH THESE CONNECTORS:  
 32-28AWG/28-24AWG CONT's  
 91067-3 INSERTION/REMOVAL  
 726363-1 INSERTION ONLY  
 24-20AWG CONTACTS  
 91067-2 INSERTION/REMOVAL  
 726363-1 INSERTION ONLY  
 726364-1 REMOVAL ONLY
- △5 CONTACTS SHOWN FOR ILLUSTRATION ONLY, NO PART OF CONNECTOR PACKAGE ;MUST BE ORDERED SEPARATELY.  
 △6 RAISED CAVITY IDENTIFICATION NUMBERS ON WIRE SIDE ARE WHITENED FOR -9 P/N'S.



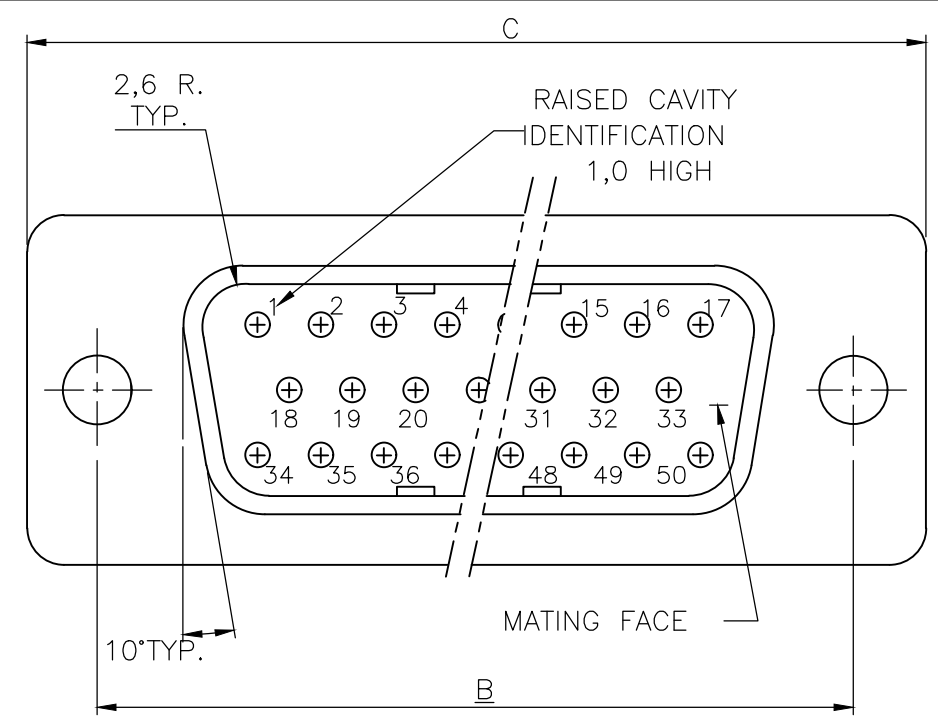
| D     | C     | B     | A     | NR.OF POS | SIZE | ORDER NUMBER                          |
|-------|-------|-------|-------|-----------|------|---------------------------------------|
| ±0,25 | ±0,38 | ±0,13 | ±0,13 |           |      |                                       |
| 55,3  | 66,9  | 61,1  | 52,9  | 50        | 5    | <del>167296-9</del> 167296-1          |
| 57,7  | 69,3  | 63,5  | 55,4  | 37        | 4    | <del>167295-9</del> 167295-1 OBSOLETE |
| 41,3  | 53,0  | 47,0  | 39,0  | 25        | 3    | <del>167294-9</del> 167294-1          |
| 27,5  | 39,1  | 33,3  | 25,3  | 15        | 2    | <del>167293-9</del> 167293-1          |
| 19,3  | 30,8  | 25,0  | 16,9  | 9         | 1    | <del>167292-9</del> 167292-1          |

FOR DETAILS SIZE 5, SEE SHEET 2.

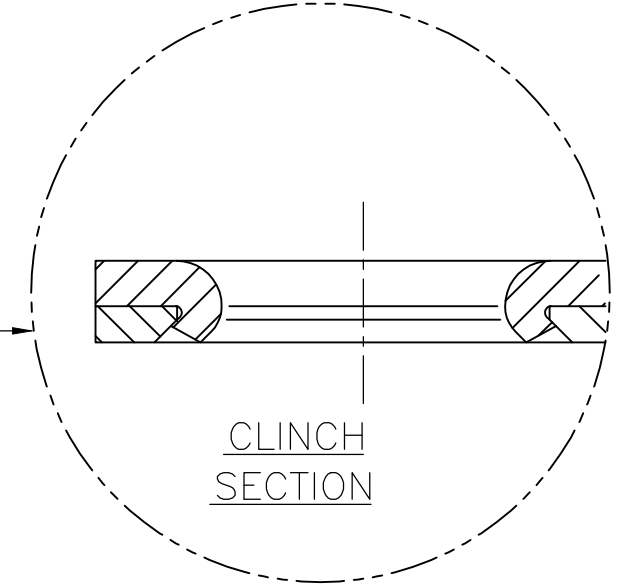
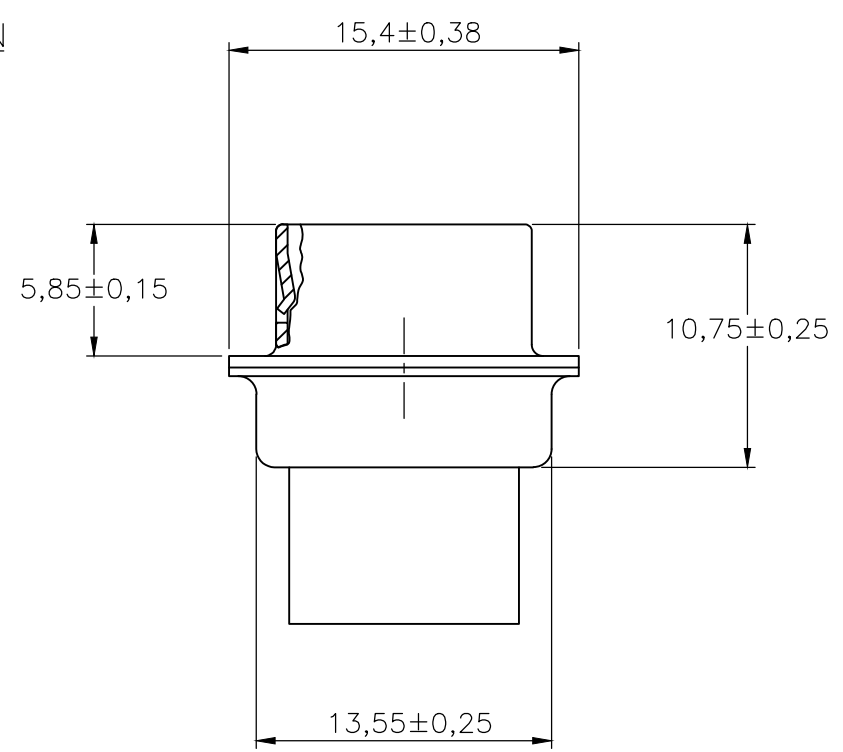
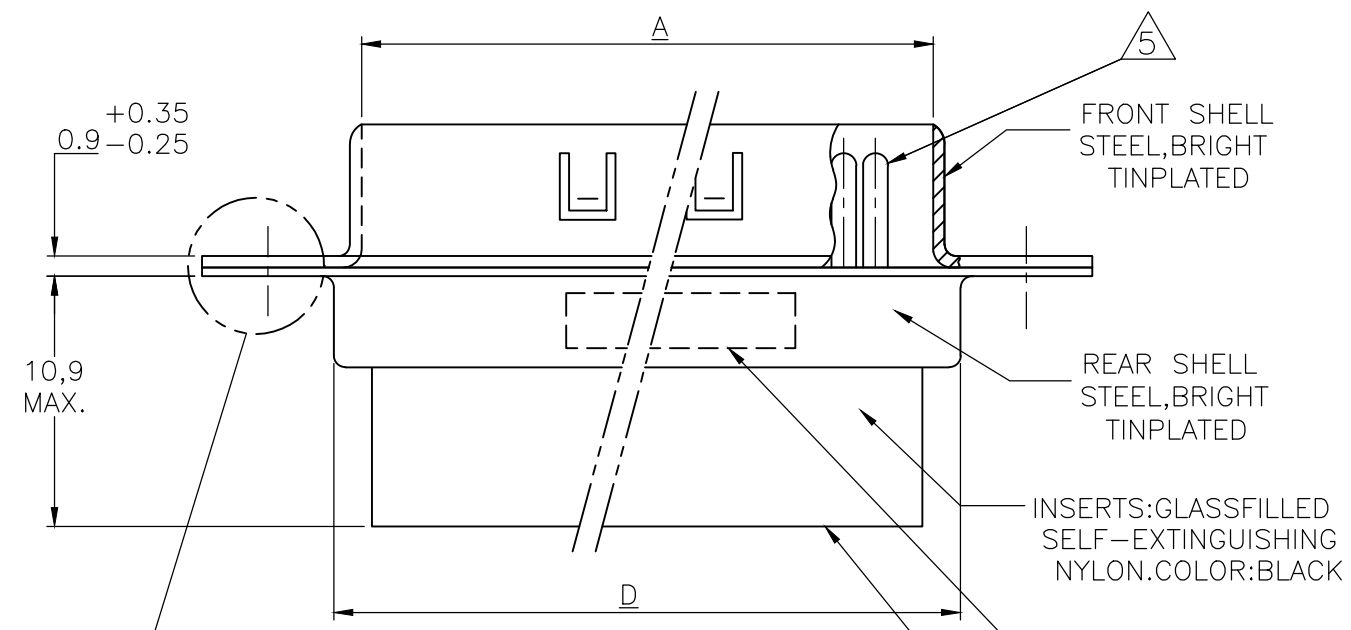
|  |  |                     |  |           |            |               |
|--|--|---------------------|--|-----------|------------|---------------|
| THIS DRAWING IS A CONTROLLED DOCUMENT. |  | DWN B.MOOIJ 20NOV87 | TE Connectivity<br>HDP-20 PLUG CONNECTOR, SIZE 1-4 |           |            |               |
| DIMENSIONS: mm                         |  | CHK -               |  |           |            | NAME          |
| TOLERANCES UNLESS OTHERWISE SPECIFIED: |  | APVD -              | PRODUCT SPEC                                       |           |            |               |
| 0 PLC ± -                              |  | -                   | APPLICATION SPEC                                   |           |            |               |
| 1 PLC ± 0,2                            |  | -                   | SIZE   | CAGE CODE | DRAWING NO | RESTRICTED TO |
| 2 PLC ± -                              |  | -                   | A3   | 00779     | C-167292   | -             |
| 3 PLC ± -                              |  | -                   | WEIGHT   |           | SCALE      | SHEET         |
| 4 PLC ± -                              |  | -                   | CUSTOMER DRAWING                                   |           | NTS        | 1 OF 2        |
| ANGLES ± 2°                            |  | -                   | REV  |           | R          |               |
| MATERIAL -                             |  | -                   |  |           |            |               |

THIS DRAWING IS UNPUBLISHED. RELEASED FOR PUBLICATION  
 © COPYRIGHT - By - ALL RIGHTS RESERVED.

| LOC | DIST | REVISIONS   |      |     |      |
|-----|------|-------------|------|-----|------|
| P   | LTR  | DESCRIPTION | DATE | DWN | APVD |
| H   | -    | SEE SHEET 1 | -    | -   | -    |



SIZE 5  
CONFIGURATION



|  |          |                     |   |        |          |   |
|--|----------|---------------------|---|--------|----------|---|
| THIS DRAWING IS A CONTROLLED DOCUMENT. |          | DWN B.MOOIJ 20NOV87 | <b>STE</b> TE Connectivity              |        |          |   |
| DIMENSIONS: mm                         |          | CHK -               |   |        |          |   |
| TOLERANCES UNLESS OTHERWISE SPECIFIED: |          | APVD -              | NAME                                    |        |          |   |
| 0 PLC                                  | ± -      | PRODUCT SPEC -      | HDP-20 PLUG CONNECTOR, SIZE 5           |        |          |   |
| 1 PLC                                  | ± 0,2    | APPLICATION SPEC -  | SIZE CAGE CODE DRAWING NO RESTRICTED TO |        |          |   |
| 2 PLC                                  | ± -      | WEIGHT -            | A3                                      | 00779  | C-167292 | - |
| 3 PLC                                  | ± -      | CUSTOMER DRAWING    | SCALE                                   | SHEET  | REV      |   |
| 4 PLC                                  | ± -      |                     | NTS                                     | 2 OF 2 | R        |   |
| ANGLES                                 | ± 2°     |                     |   |        |          |   |
| MATERIAL -                             | FINISH - |                     |   |        |          |   |

单击下面可查看定价，库存，交付和生命周期等信息

[>>TE Connectivity\(泰科\)](#)

[>>点击查看相关商品](#)