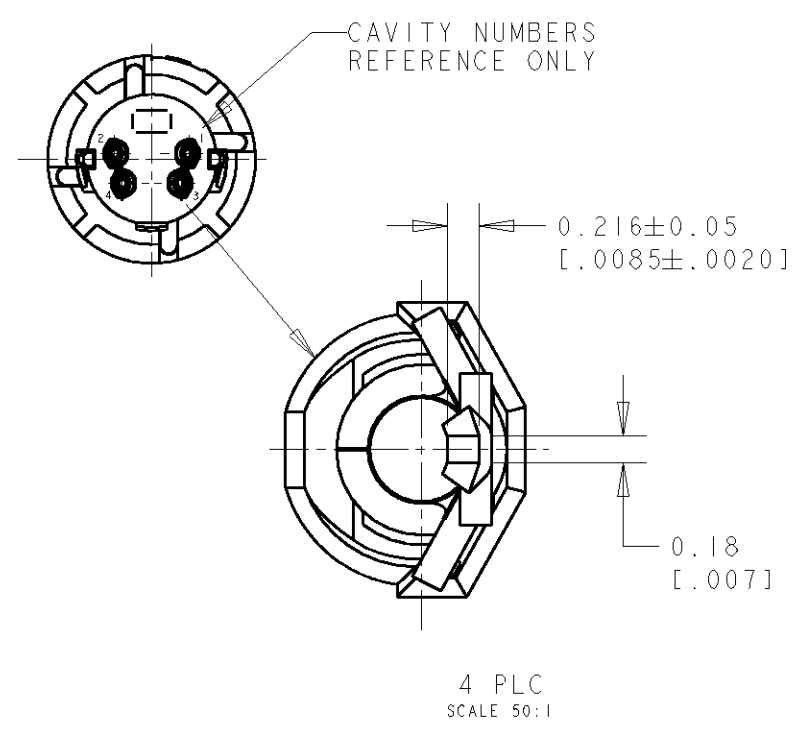
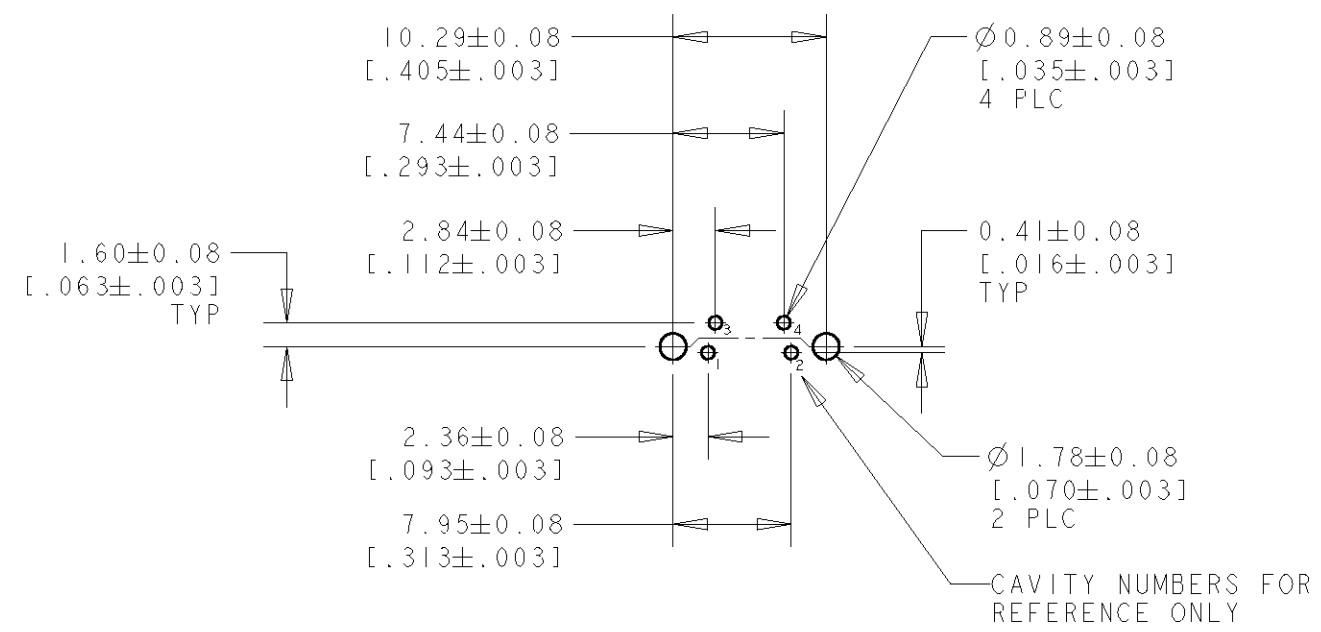
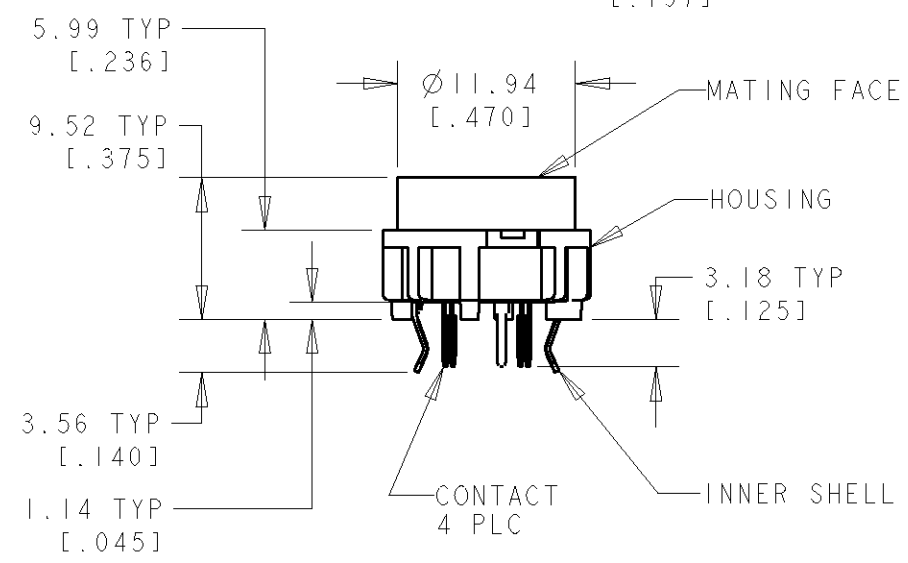
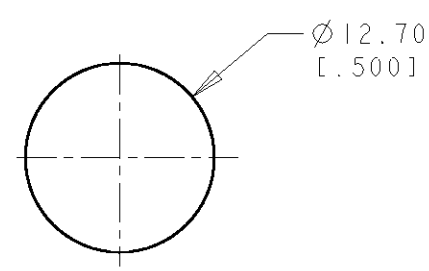
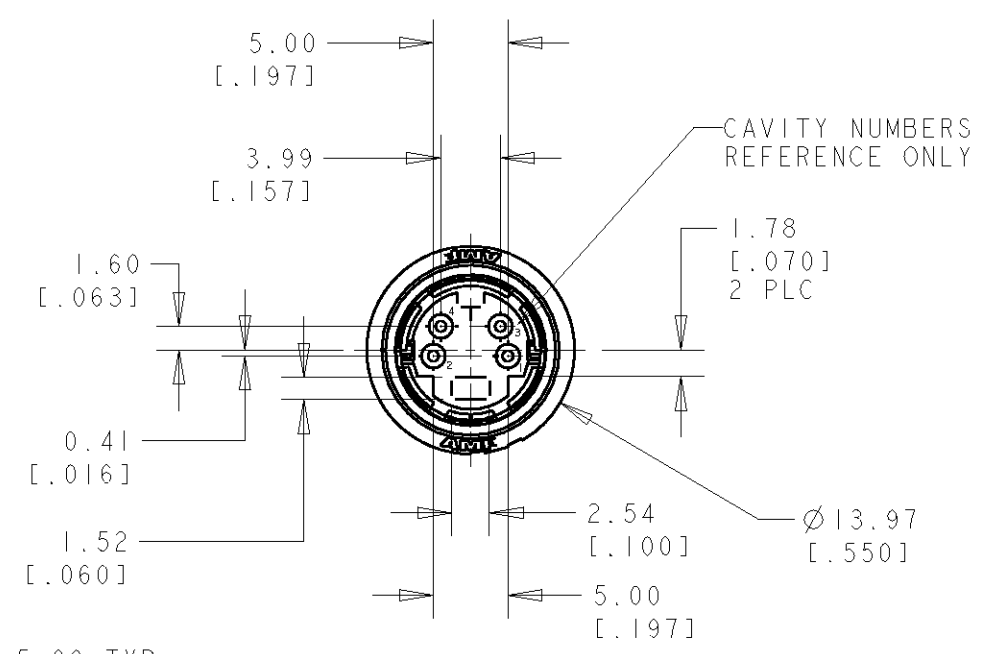


THIS DRAWING IS UNPUBLISHED. RELEASED FOR PUBLICATION .19  
 © COPYRIGHT 19 BY AMP INCORPORATED. ALL RIGHTS RESERVED.

LOC	DIST	REVISIONS			
P	LTR	DESCRIPTION	DATE	DWN	APVD
		0 NPR ECR-05-008264	21JUN05	LWY	SYJ

- NOTES:
- 1 SHELLS: BRASS  
CONTACTS: PHOSPHOR BRONZE  
HOUSING: POLYESTER, UL 94V-0 RATED, BLACK
  - 2 0.38um [.000015] MIN GOLD ON MATING END FOR A LENGTH OF 1.37[.054] MIN ON INSIDE, 2.54um [.000100] MIN TIN FOR A LENGTH OF 3.30um [.130] MIN FROM OPPOSITE END, ALL OVER 1.27um [.000050] MIN NICKEL.
  - 3 0.76um [.000030] MIN GOLD ON MATING END FOR A LENGTH OF 1.37[.054] MIN ON INSIDE, 2.54um [.000100] MIN TIN FOR A LENGTH OF 3.30um [.130] MIN FROM OPPOSITE END, ALL OVER 1.27um [.000050] MIN NICKEL.
  - 4 2.54um [.000100] MIN TIN OVER 1.27um [.000050] MIN COPPER.
  - 5. RECEPTACLE ASSEMBLY MATES WITH 4 PIN, Ø8.99±0.10 [.354±.004] PLUG.



RECOMMENDED PC BOARD LAYOUT  
BOTTOM VIEW

4	3	5750315-2
4	2	5750315-1
INNER SHELL FINISH	CONTACT FINISH	PART NO.

DIMENSIONS: mm [INCHES]		TOLERANCES UNLESS OTHERWISE SPECIFIED:		DWN WY LEE 21JUN2005		Tyco Electronics Singapore Pte. Ltd.	
0 PLC	± -	1 PLC	± -	CHK YJ SEE	NAME RECEPTACLE ASSEMBLY, 4 POSN, LOW FLANGE, UNSHIELDED, VERTICAL, MINIATURE CIRCULAR DIN, LF		
2 PLC	± 0.13 [.005]	3 PLC	± -	APVD SF LEONG	SIZE A3	CAGE CODE 00779	DRAWING NO 5750315
4 PLC	± -	ANGLES	± -	PRODUCT SPEC -	SCALE 10:1 SHEET 1 OF 1 REV 0		
MATERIAL	SEE TABLE	FINISH	SEE TABLE	APPLICATION SPEC -	CUSTOMER DRAWING		
THIS DRAWING IS A CONTROLLED DOCUMENT FOR AMP INCORPORATED. IT IS SUBJECT TO CHANGE AND THE CONTROLLING ENGINEERING ORGANIZATION SHOULD BE CONTACTED FOR THE LATEST REVISION.				WEIGHT -	REVISIONS		

单击下面可查看定价，库存，交付和生命周期等信息

[>>TE Connectivity\(泰科\)](#)