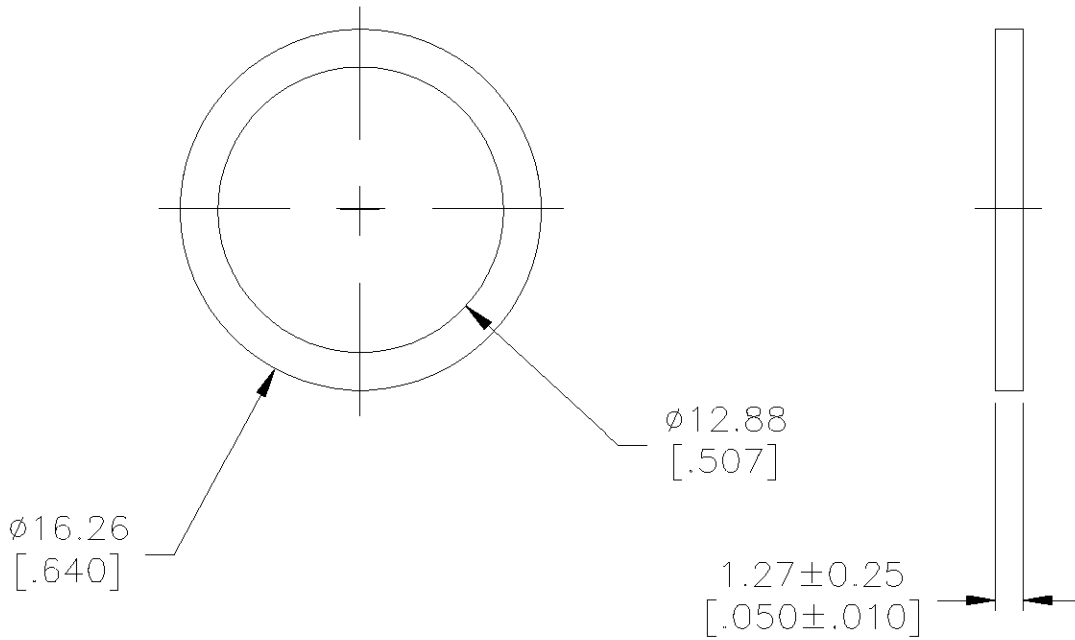


LOC	DIST	REVISIONS					
AJ	16	P	LTR	DESCRIPTION	DATE	DWN	APVD
			C	REV PER 0U20-0164-01	29MAR01	MO	BM

△ SILICONE RUBBER PER ZZ-R-765.



RELEASED FOR PUBLICATION

ALL RIGHTS RESERVED.

BY TYCO ELECTRONICS CORPORATION.

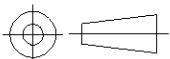
THIS DRAWING IS UNPUBLISHED.

© COPYRIGHT

329633

PART NUMBER

DIMENSIONS: MM [INCHES]	DWN	M. O'BRINE	30MAR01	MATERIAL	△	FINISH	-
	CHK	B. MOYER	29MAR01	Tyco Electronics Corporation Harrisburg, Pa			
TOLERANCES UNLESS OTHERWISE SPECIFIED:	APVD	B. MOYER	29MAR01				
0 PLC ± -	PRODUCT SPEC	-		NAME	GASKET		
1 PLC ± -	APPLICATION SPEC	-		SIZE	CAGE CODE	DRAWING NO	RESTRICTED TO
2 PLC ± -	WEIGHT	-		A4	00779	©- 329633	-
3 PLC ± 0.38 [.015]	CUSTOMER DRAWING						
4 PLC ± -	SCALE			4:1	SHEET 1 OF 1		REV C
ANGLES ± -							



单击下面可查看定价，库存，交付和生命周期等信息

[>>TE Connectivity\(泰科\)](#)