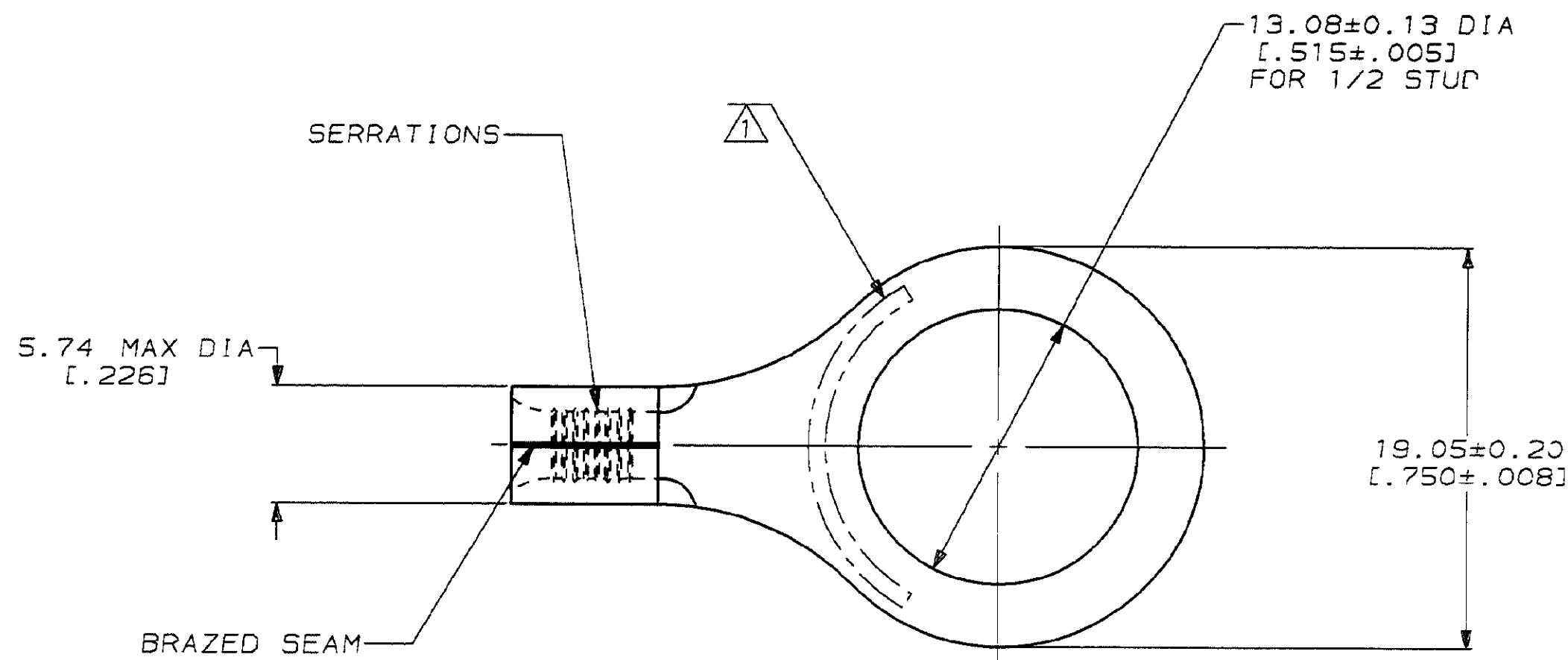


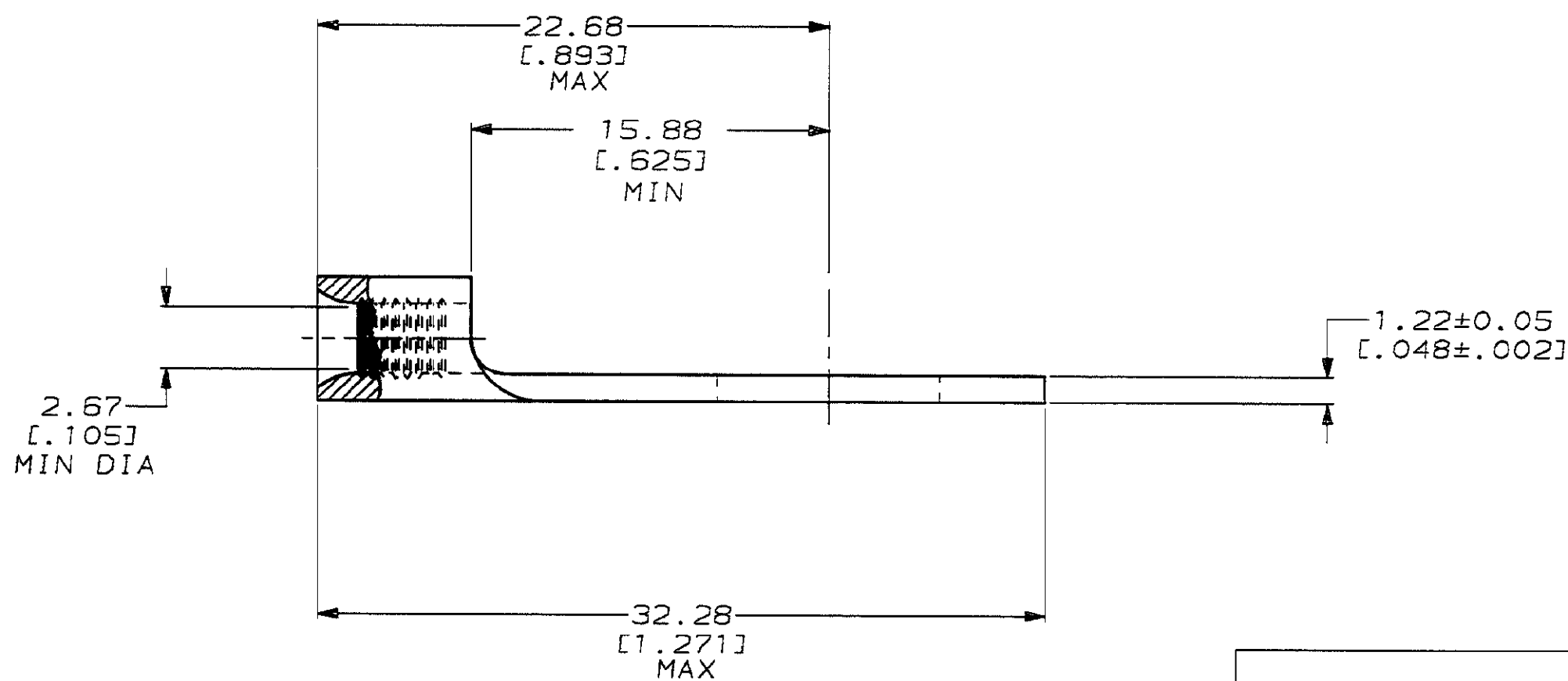
DRAWING MADE IN THIRD ANGLE PROJECTION
 THIS DRAWING IS UNPUBLISHED. RELEASED FOR PUBLICATION .19
 © COPYRIGHT 19 BY AMP INCORPORATED. ALL INTERNATIONAL RIGHTS RESERVED.

LOC	DIST	P	F	ZONE	LTR	DESCRIPTION	DATE	APPD
G	14					C REV,RDRW, & SM PKG PER 0720-0040-93	3-17-93	1 st DAP



AMP WIRE RANGE	UL E13288 Listed
16-14HD AWG SOLID OR STRANDED	16-14HD AWG STRANDED
LR7189 Certified	MILITARY P/N AND CLASS
16-14HD AWG SOLID OR STRANDED	NOT APPLICABLE

1 STAMP AMP 16-14HD* APPROX AS SHOWN



100	LOOSE PIECE, BOX	8-321165-1
---	LOOSE PIECE	321165
QUANTITY	PACKAGE TYPE	PART NO

AMP INCORPORATED
CUSTOMER SERVICE SYSTEMS

MAX RECOMMENDED OPERATING TEMPERATURE:
 170°C MAX

DO NOT SCALE PRINT.
 UNLESS SPECIFIED
 DIMENSIONS IN mm [INCHES]
 TOLERANCES ON:
 2 PLC DEC ± -
 3 PLC DEC ± -
 ANGLES ± -

DR 3-17-93
 TA BRINKMAN
 CHK 3-17-93
 DA PATTERSON

AMP AMP Incorporated
 Harrisburg, PA 17105-3608

FOR ADDITIONAL
 PRODUCT INFORMATION OR
 COPIES OF DRAWINGS
 AND TECHNICAL DOCUMENTS

PRODUCT INFORMATION CENTER
 1-800-522-6752

VOLTAGE RATING:
 NOT APPLICABLE

MATERIAL
 COPPER PER
 ASTM B-152
 ANNEALED

APPD 3-17-93
 DE MILLER
 APPD 3-17-93
 JL HECKLEY

NAME
**TERMINAL, RING TONGUE,
 HEAVY DUTY, SOLISTRAND™**

FOR APPLICATION
 TOOLING INFORMATION

TOOLING ASSISTANCE CENTER
 1-800-722-1111

WIRE CROSS SECTIONAL AREA RANGE:
 1.04-2.62mm² [2,050-5,180] CIR MILS
 SOLID OR STRANDED

FINISH
 TIN PLATE
 0.00254[.000100] MIN
 THK PER MIL-T-10727

APPLICATION SPEC
 -
 WEIGHT -

SIZE
 C 00779 C=321165
 SCALE 4:1
 SHEET 1 OF 1

FOR ORDER ENTRY
 1-800-526-5142

THIS DRAWING IS A CONTROLLED DOCUMENT FOR
 AMP INCORPORATED. IT IS SUBJECT TO CHANGE
 AND THE CONTROLLING ENGINEERING ORGANIZATION
 SHOULD BE CONTACTED FOR THE LATEST REVISION.

AMP 1471-5 REV 3-92

10 SEP 1993 09:40:06 AMP26463 <U5128A>DEPT1123>DWG1123>U_SOLISTRAND>U_INLINE

CUSTOMER DRAWING

单击下面可查看定价，库存，交付和生命周期等信息

[>>TE Connectivity\(泰科\)](#)