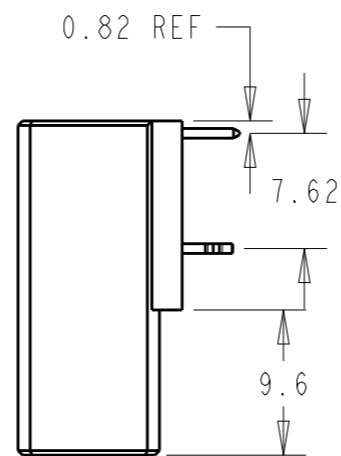
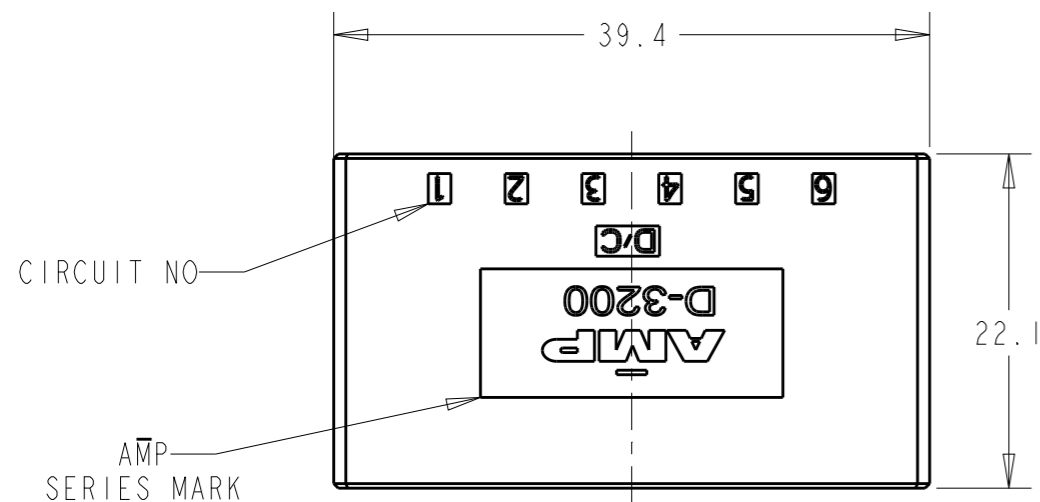


P	LTR	DESCRIPTION	DATE	DWN	APVD
O		REVISED (FJ00-2557-95)	31JUL1995	KI	YI
A		REVISED (FLD0-0114-03)	25APR2003	TS	SM
B		REVISED (FLD0-0039-03)	02JUN2003	TS	SM
BI		REVISED PER ECR-20-011916	24AUG2020	A.W	R.B

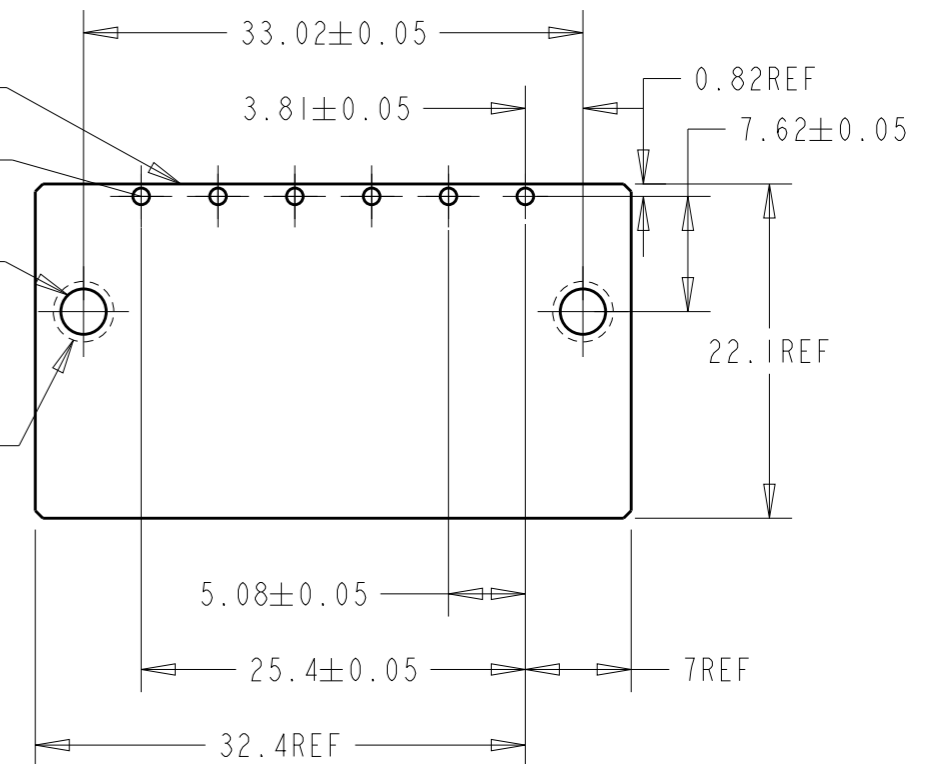


OUTLINE OF HEADER HOUSING

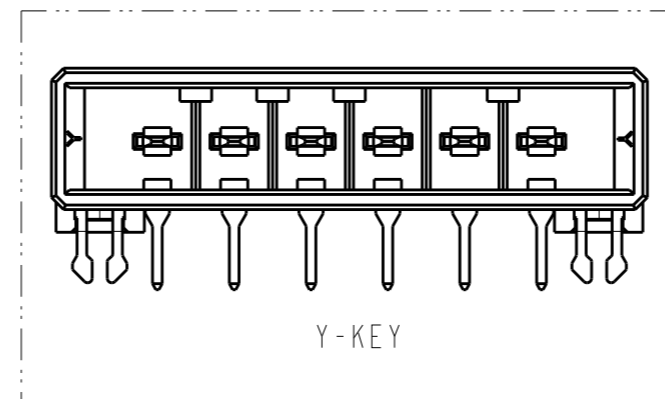
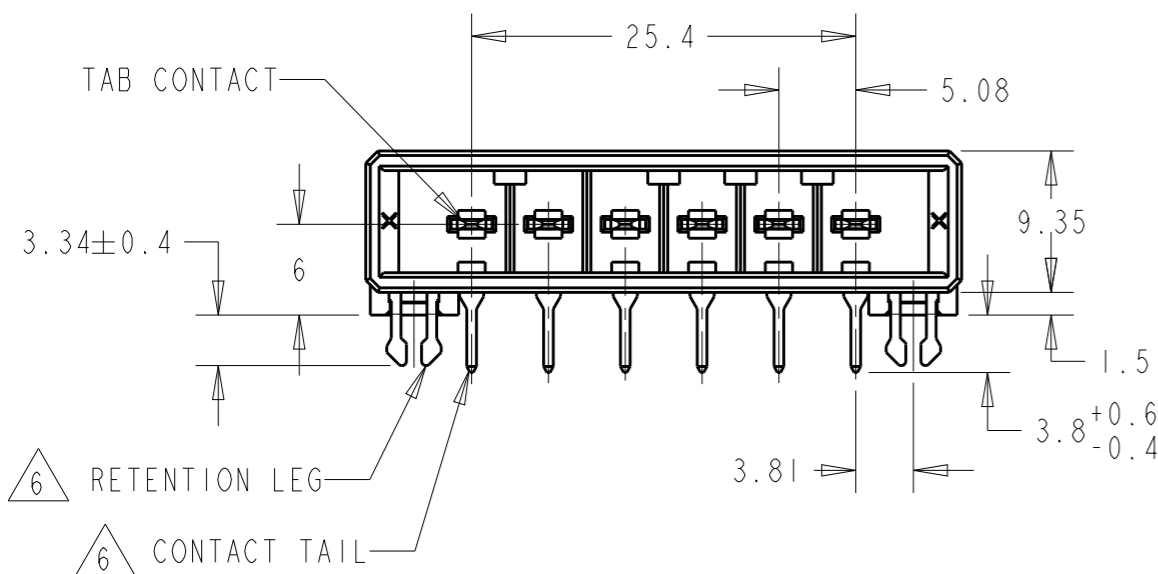
DIA 1.1±0.1 6PLACES

DIA 3±0.1 2PLACES

ROUND DIA 4MIN 2PLACES



RECOMEND PC BOARD HOLE PATTERN
PC BOARD THICKNESS: 1.6±0.1
(NOT ACCUMULATE TOLERANCE)
(CONNECTOR MOUNT SIDE)



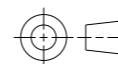
△6	△4	2-316131-5	Y
△6	△3	2-316131-3	Y
△6	△2	2-316131-2	Y
△6	△4	1-316131-5	X
△6	△3	1-316131-3	X
△6	△2	1-316131-2	X
(FINISH)	(PART NO)	KEY	

NOTE

1. MATERIAL: HOUSING: GLASS FILLED THERMO PLATIC, POLYESTER
CONTACT: COPPER ALLOY
RETENTION LEG: COPPER ALLOY
2. FINISH (CONTACT AREA); 0.38µm MIN GOLD PLATING OVER Ni PLATING
3. FINISH (CONTACT AREA); 0.76µm MIN GOLD PLATING OVER Ni PLATING
4. FINISH (CONTACT AREA); 2.0µm MIN TIN PLATED OVER NICKEL
5. ~~FINISH (RETENTION LEG): TIN LEAD PLATED (CONTACT TAIL) OVER NICKEL~~
6. FINISH (RETENTION LEG): TIN-PLATED (CONTACT TAIL) OVER NICKEL

THIS DRAWING IS A CONTROLLED DOCUMENT.

DIMENSIONS:
mm



MATERIAL
SEE NOTE

TOLERANCES UNLESS OTHERWISE SPECIFIED:
0 PLC ±0.2
1 PLC ±0.3
2 PLC ±0.4
3 PLC ±
4 PLC ±
ANGLES ±3°

FINISH
SEE TABLE

DWN K. IKEDA 26JUL1995

CHK Y. ISHIKAWA 31JUL1995

APVD S. MANABE 31JUL1995

PRODUCT SPEC

APPLICATION SPEC

WEIGHT

CUSTOMER DRAWING



TE Connectivity

NAME
DYNAMIC CONN. 6POS.
HORIZONTAL HDR. ASS'Y (D-3200)

SIZE CAGE CODE DRAWING NO

A3 00779 C-316131

RESTRICTED TO

SCALE 2:1 SHEET 1 OF 1 REV BI

单击下面可查看定价，库存，交付和生命周期等信息

[>>TE Connectivity\(泰科\)](#)