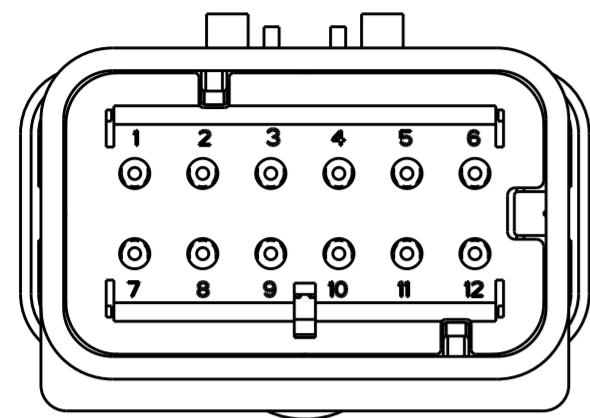
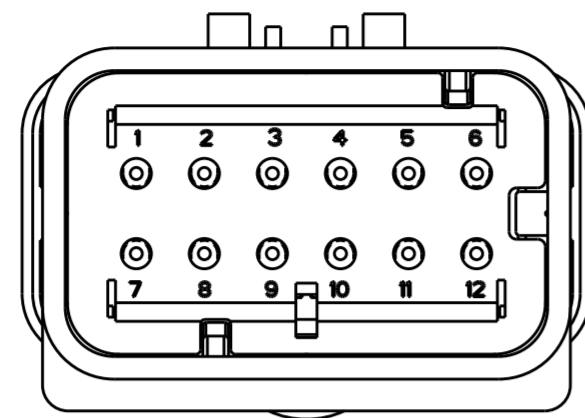


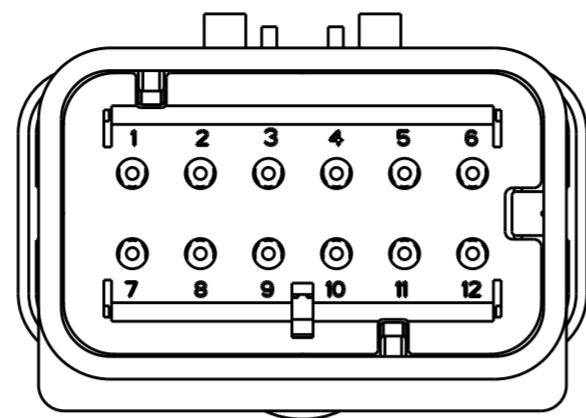
| REVISIONS | | | | | |
|-----------|-----|---------------------------|-----------|-----|------|
| P | LTR | DESCRIPTION | DATE | DWN | APVD |
| | D1 | REVISED PER ECR-10-019377 | 30SEP2010 | HMR | T.M |
| | E | REVISED PER ECR-14-000206 | 26DEC2013 | DR | RB |



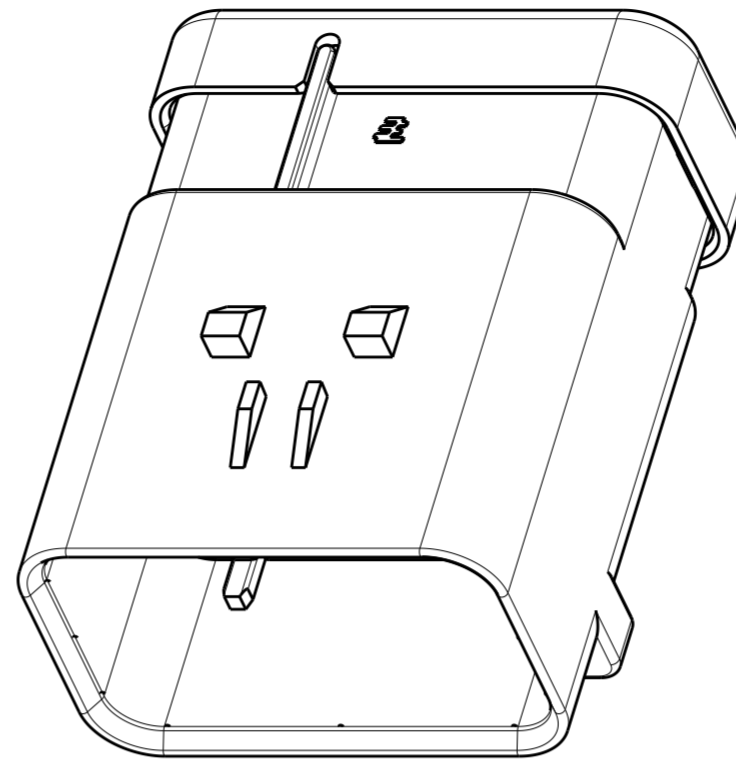
1717934-2
SCALE 2:1



1717934-3
SCALE 2:1

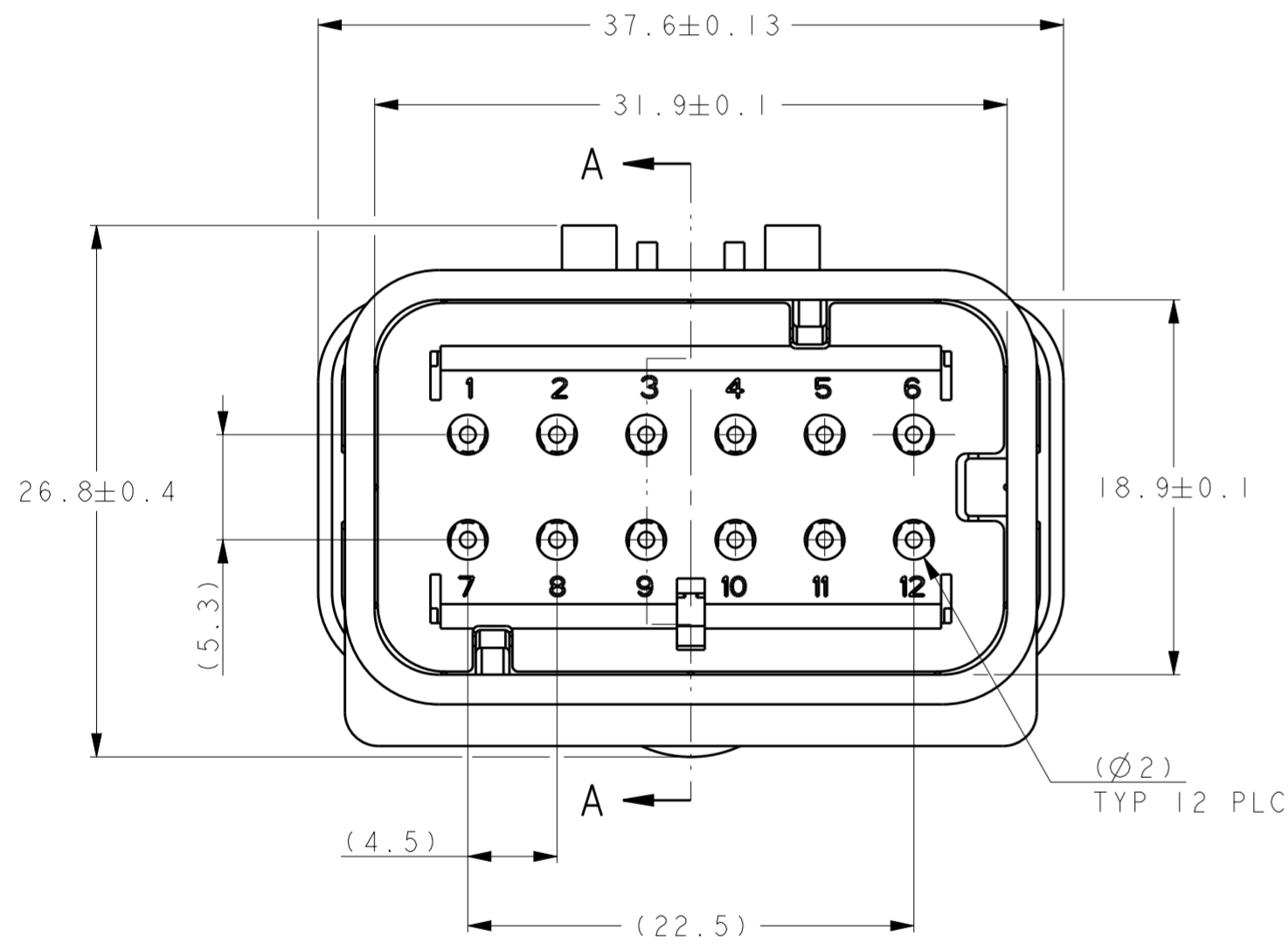


1717934-4
SCALE 2:1

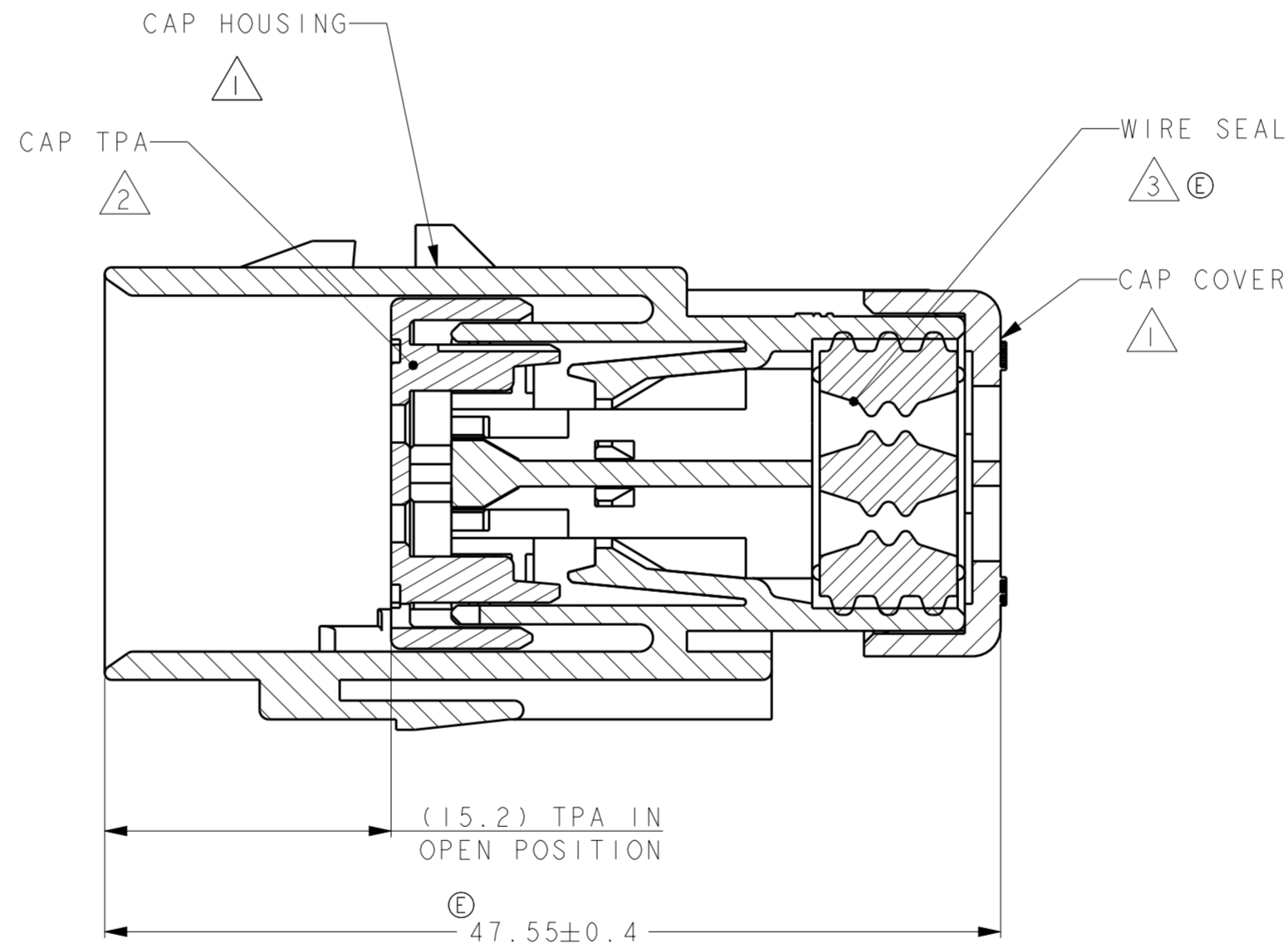


SCALE 2:1

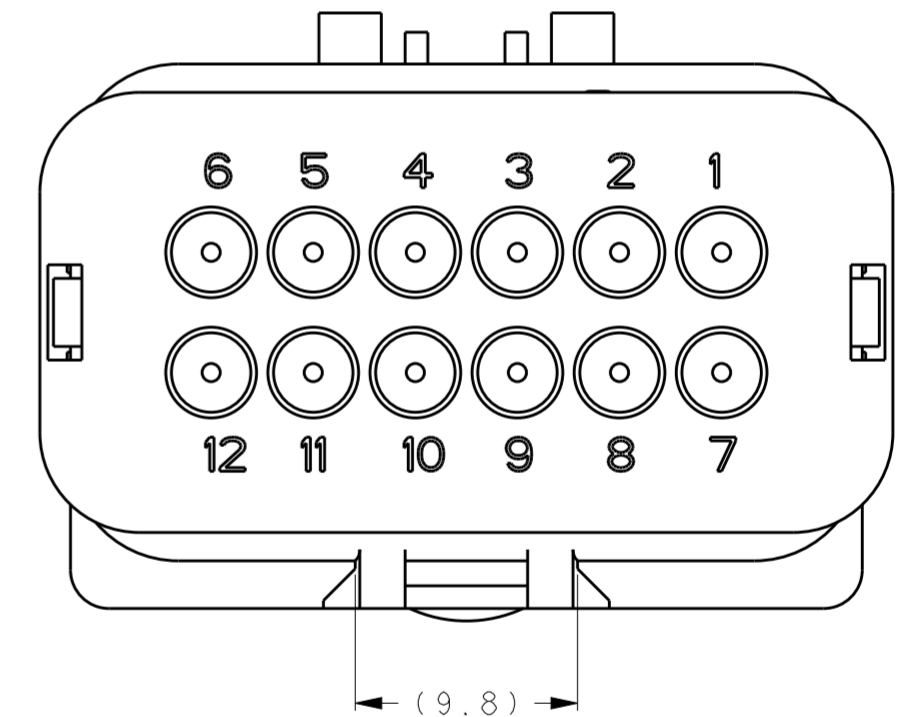
- ① MATERIAL: 15% GLASS FILLED THERMOPLASTIC
COLOR: BLACK
- ② MATERIAL: 15% GLASS FILLED THERMOPLASTIC
COLOR: (SEE TABLE)
- ③ MATERIAL: SILICONE
COLOR: RUST
- ④ WIRE INSULATION RANGE; Ø1.3-Ø2.3



1717934-1 SHOWN



A - A



| | |
|-----------|-------------|
| GREEN | 1717934-4 |
| YELLOW | 1717934-3 |
| GRAY | 1717934-2 |
| RED | 1717934-1 |
| TPA COLOR | PART NUMBER |

| | | | | |
|---|--|-------------------------------|--|--|
| THIS DRAWING IS A CONTROLLED DOCUMENT. | | DWN Y. KATO 15JAN2004 | TE Connectivity | |
| DIMENSIONS: mm | | CHK S. MANABE 15JAN2004 | | |
| TOLERANCES UNLESS OTHERWISE SPECIFIED: | | APVD S. MANABE 15JAN2004 | NAME CAP ASSY, 12 POS. BRACKET REVERSE TYPE, SMALL WIRE SIZE AMPSEAL 16 | |
| 0 PLC ± 1 PLC ± 2 PLC ± 3 PLC ± 4 PLC ± ANGLES ± FINISH - | | PRODUCT SPEC 108-2184 | SIZE CAGE CODE DRAWING NO RESTRICTED TO | |
| MATERIAL | | APPLICATION SPEC 114-13065 | A20779 C-1717934 | |
| | | WEIGHT | Customer Drawing SCALE 3:1 SHEET 1 OF 1 REV E | |

单击下面可查看定价，库存，交付和生命周期等信息

[>>TE Connectivity\(泰科\)](#)