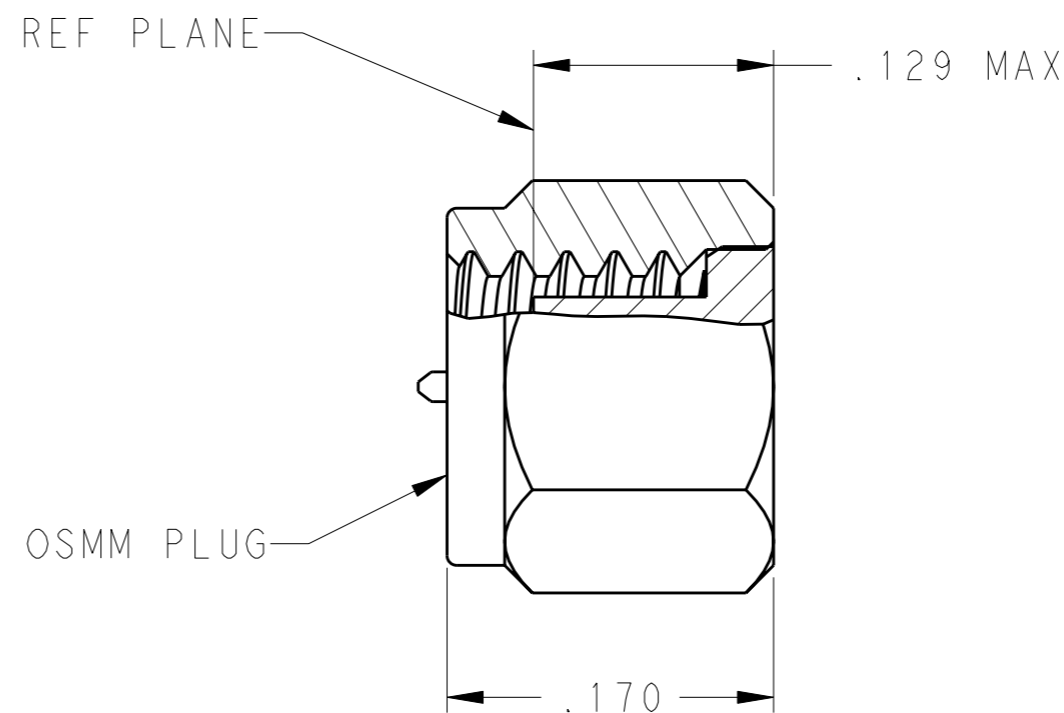
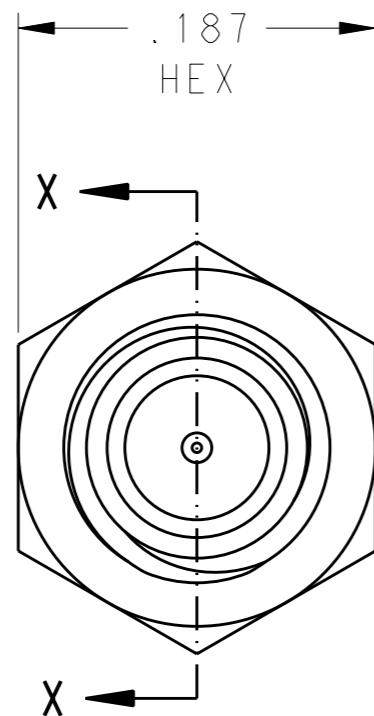


THIS DRAWING IS UNPUBLISHED.

RELEASED FOR PUBLICATION

© COPYRIGHT - BY TYCO ELECTRONICS CORPORATION. ALL INTERNATIONAL RIGHTS RESERVED.

| LOC | DIST | REVISIONS | | | | | |
|-----|------|-----------|-----|----------------------------|-----------|-----|------|
| | | P | LTR | DESCRIPTION | DATE | DWN | APVD |
| - | - | | A | RELEASED PER ECO 10-013224 | 28JUN2010 | CT | DW |
| | | | | | | | |
| | | | | | | | |



SECTION X - X

1. MAT'L: HOUSING & COUPLING NUT
 STAINLESS STEEL PER ASTM-A-582
 FINISH: GOLD PLATED .000050 MIN THK PER ASTM-B-488
 OVER .000120 MIN THK NICKEL PLATE PER AMS-QQ-N-290

2101881-1
 PART NO.

| | | | | |
|---|--|--|---|-----------------------|
| <small>THIS DRAWING IS A CONTROLLED DOCUMENT FOR TYCO ELECTRONICS CORPORATION IT IS SUBJECT TO CHANGE AND THE CONTROLLING ENGINEERING ORGANIZATION SHOULD BE CONTACTED FOR THE LATEST REVISION.</small> | | DWN C.C. THOMAS 28JUN2010 CHK D.WILSON 28JUN2010 APVD D.WILSON 28JUN2010 | Tyco Electronics Corporation Harrisburg, PA 17105-3608 | |
| DIMENSIONS: INCHES | TOLERANCES UNLESS OTHERWISE SPECIFIED: | PRODUCT SPEC - | NAME OSMM TERMINATION | |
| | 0 PLC ±- 1 PLC ±- 2 PLC ±- 3 PLC ±.005 4 PLC ±- ANGLES ±- | APPLICATION SPEC - | SIZE A3 | CAGE CODE 00779 |
| MATERIAL - | FINISH - | WEIGHT - | DRAWING NO C-2101881 | RESTRICTED TO - |
| CUSTOMER DRAWING | | | SCALE 10:1 | SHEET 1 OF 1 REV A |

单击下面可查看定价，库存，交付和生命周期等信息

[>>TE Connectivity\(泰科\)](#)