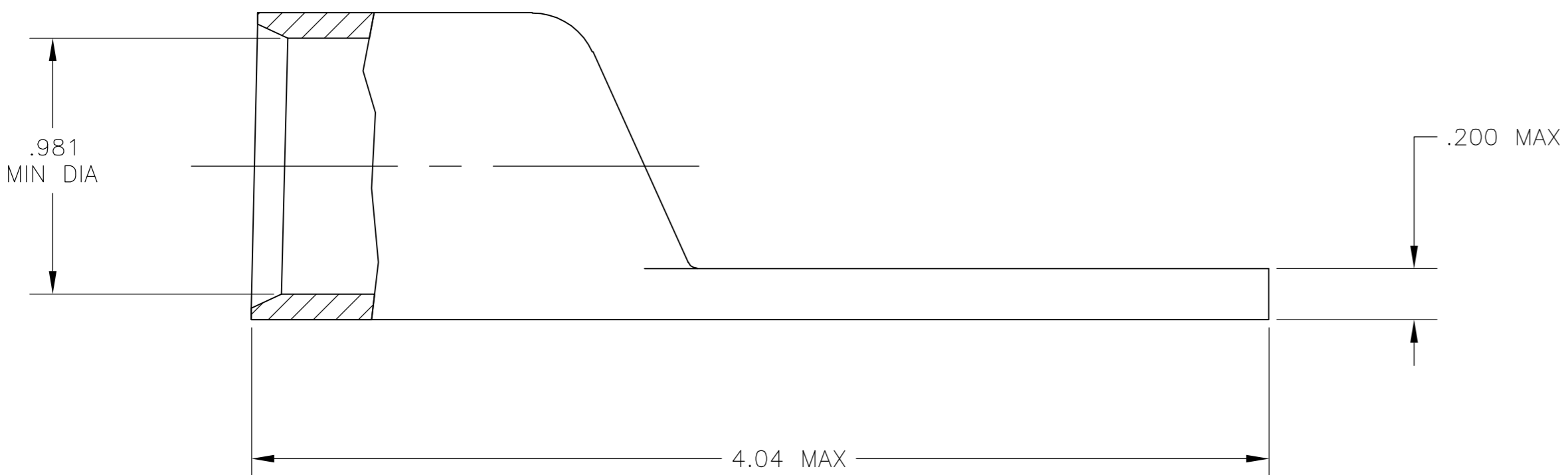
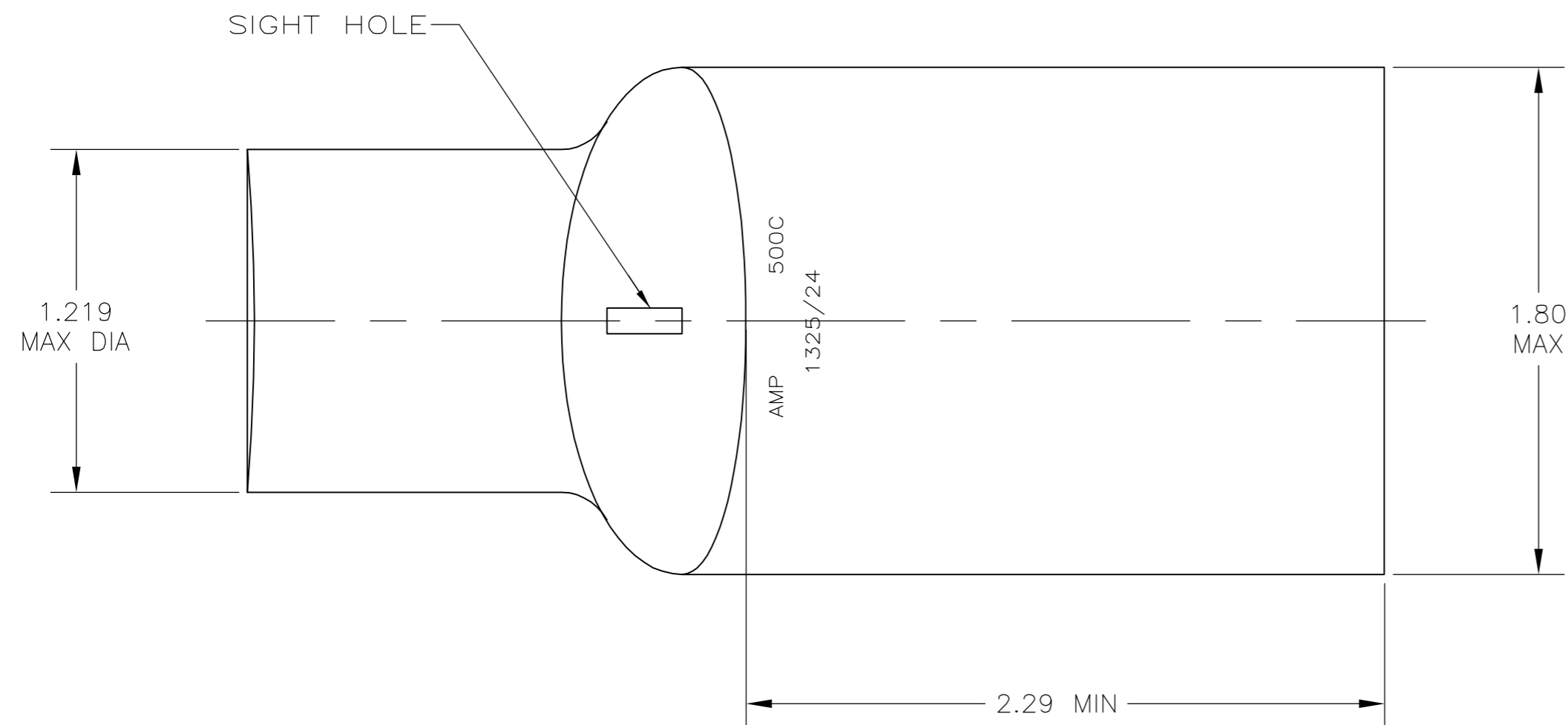


THIS DRAWING IS UNPUBLISHED. RELEASED FOR PUBLICATION  
 © COPYRIGHT BY TYCO ELECTRONICS CORPORATION. ALL RIGHTS RESERVED.

LOC	DIST	REVISIONS					
G	86	P	LTR	DESCRIPTION	DATE	DWN	APVD
		S		REACTIVATED PER ECR 07-009084	23APR07	JR	MS



- 1 CIRCULAR MIL AREA RANGE: 450-550 MCM
- 2 COPPER PER ASTM B-152, ANNEALED
- 3 .000150 MIN TIN PLATE PER ASTM B-545

326113  
 PART NO.

THIS DRAWING IS A CONTROLLED DOCUMENT.		DWN	DK SCHRUM	03/16/90	Tyco Electronics Corporation Harrisburg, PA 17105-3608		
DIMENSIONS: INCHES		CHK	MS FEHER	24JAN95	NAME		
TOLERANCES UNLESS OTHERWISE SPECIFIED:		APVD	TL SHUTTER	24JAN95	PRODUCT SPEC		
0 PLC ± -		APPLICATION SPEC		108-30200		TERMINAL, AMPOWER	
1 PLC ± -		WEIGHT		.412 LB		WIRE SIZE; 500 MCM	
2 PLC ± .020		SIZE		A2		CAGE CODE	
3 PLC ± -		DRAWING NO		00779		DRAWING NO	
4 PLC ± -		SCALE		2:1		SHEET	
ANGLES ± -		RESTRICTED TO		-		REV	
FINISH		CUSTOMER DRAWING		S		1 of 1	

单击下面可查看定价，库存，交付和生命周期等信息

[>>TE Connectivity\(泰科\)](#)