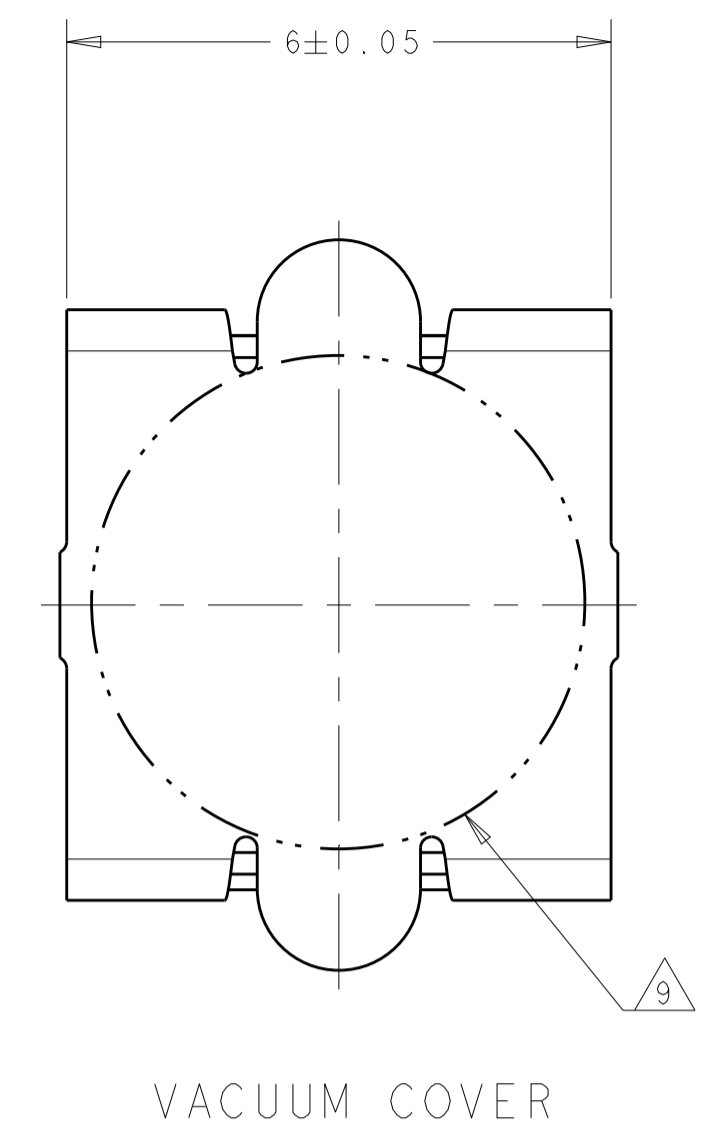
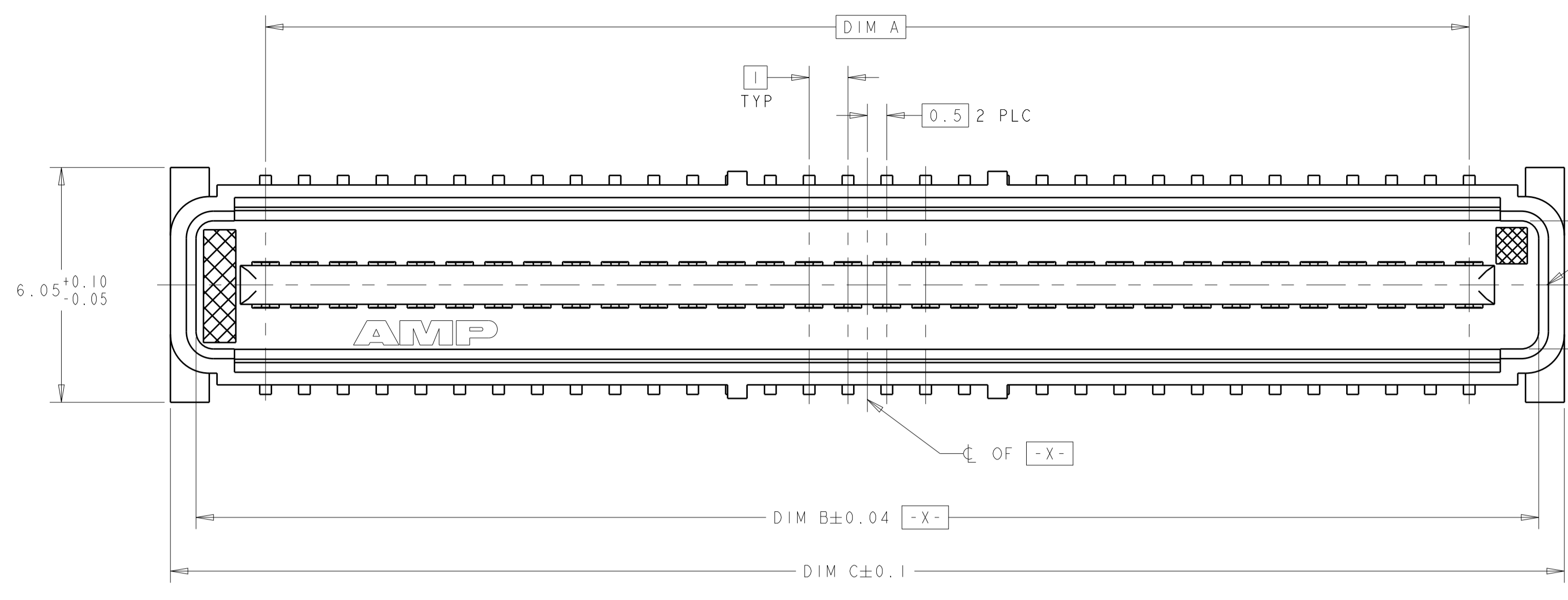
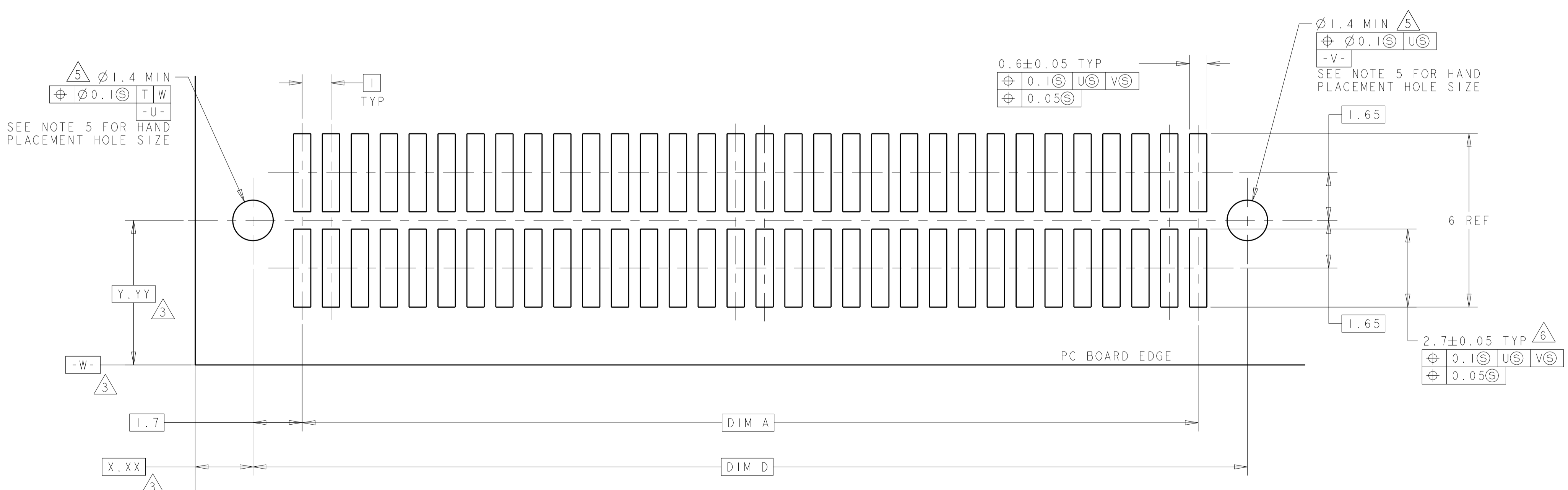
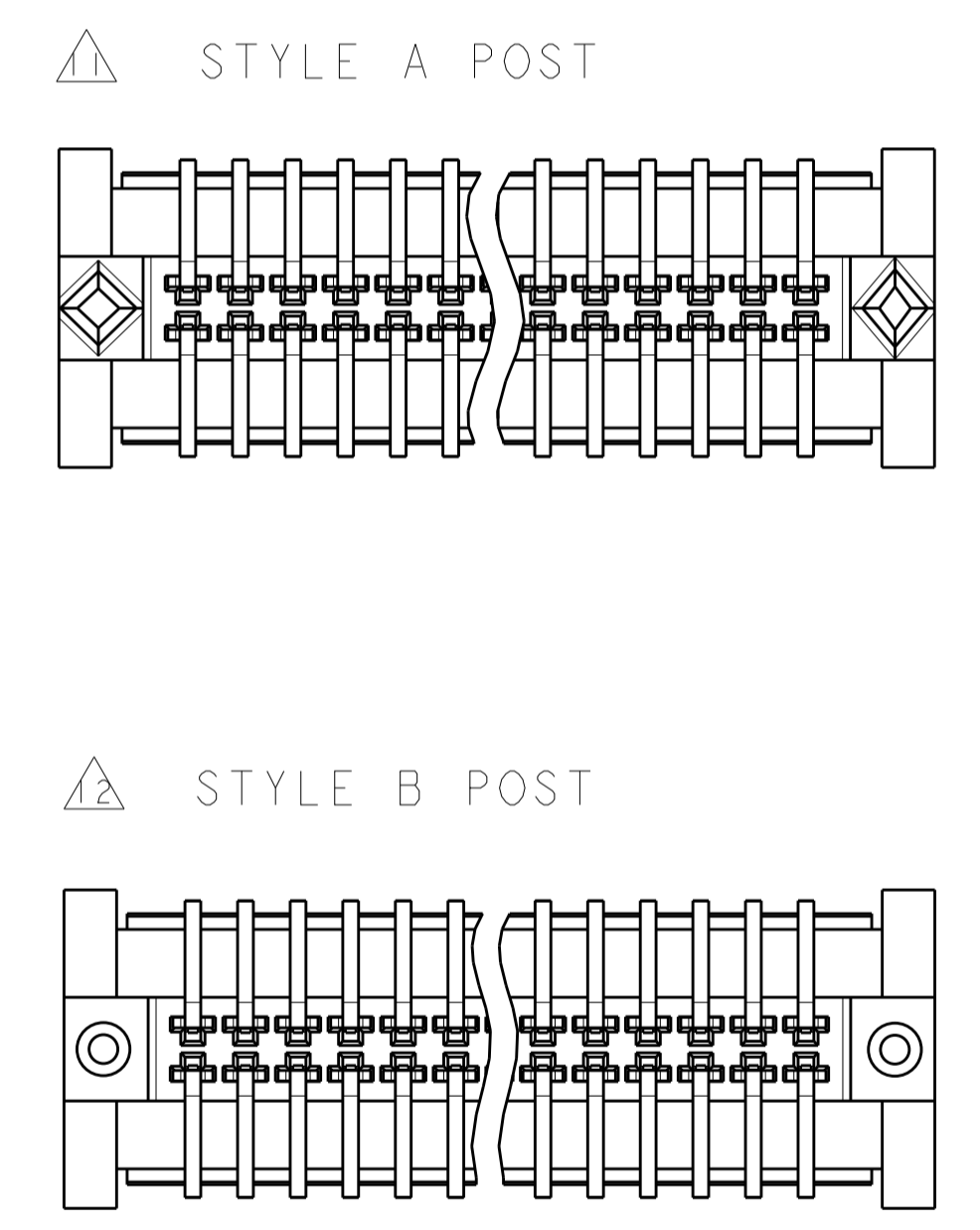
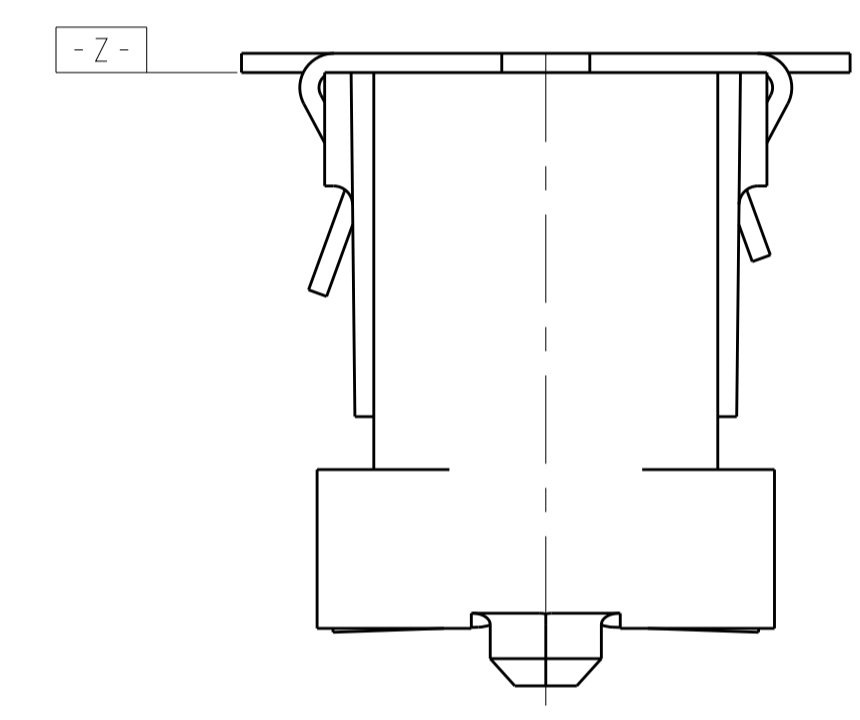
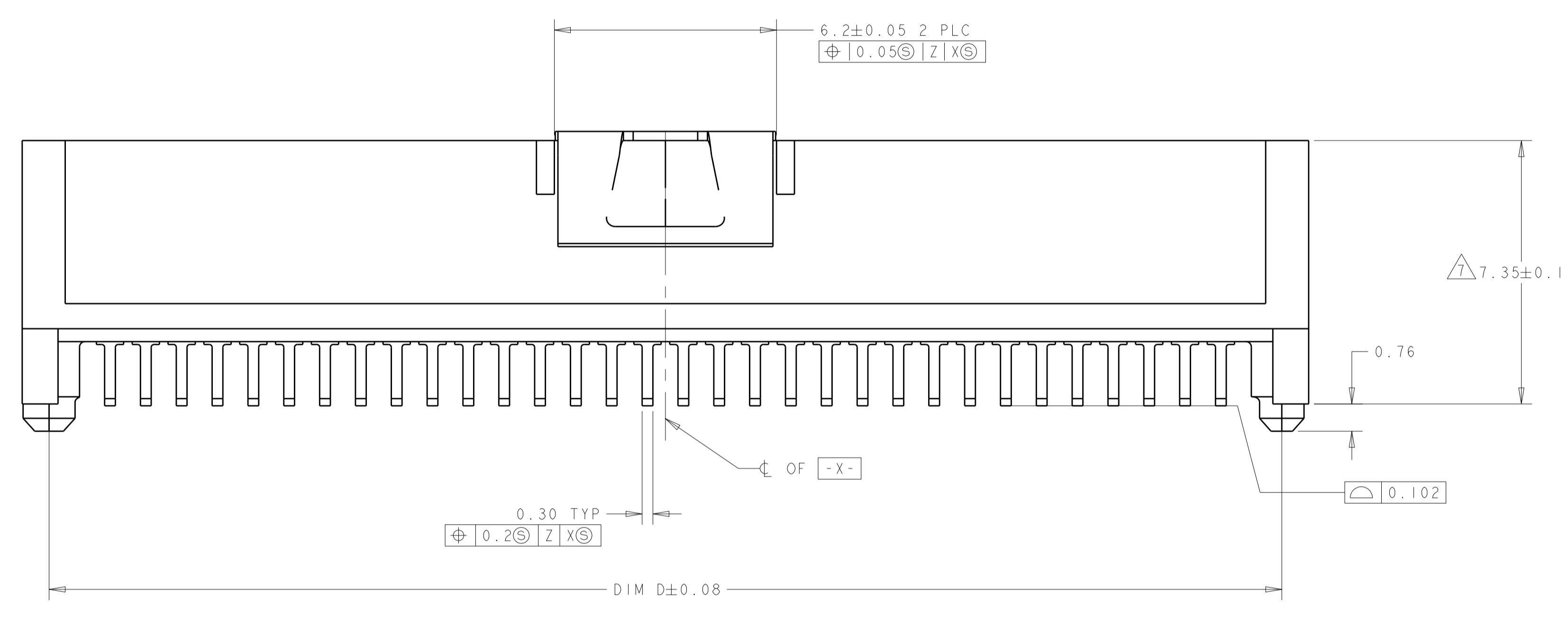


LOC	DIST	REV	DATE	BY	CHK	APVD
AD	00					

REVISIONS						
REV	DATE	DESCRIPTION	BY	CHK	APVD	
D	06FEB2007	REVISED PER ECO-06-026075	BC			DB
E	10JUL2008	REVISED PER ECO-08-008615	DH			DB
E1	26AUG2009	REVISED PER ECO-09-018464	AEG			DD
F	19FEB2016	REVISED PER ECO-16-000422	BJ			SY



- 1 HOUSING MATERIAL: LIQUID CRYSTAL POLYMER COLOR: BLACK. CONTACT MATERIAL: PHOSPHOR BRONZE.
- 2 CONTACT FINISH: NICKEL UNDERPLATE ALL OVER, MATING SURFACES PLATED TO MEET PLI PERFORMANCE REQUIREMENTS OF INDUSTRY SPECIFICATION EIA-700AAAB, SOLDER TAILS PLATED TIN-LEAD.
- 3 DATUM LOCATIONS AND BASIC DIMENSIONS TO BE ESTABLISHED BY THE CUSTOMER. CONSULT AMP ENGINEERING WHEN PLACING MULTIPLE CONNECTORS ON A PC BOARD.
- 4 PACKAGED IN TAPE ON REEL PER EIA-481.
- 5 1.4±0.05 DIAMETER HOLE WHEN PLACING BY HAND.
- 6 SHORTER SOLDER LANDS MAY BE USED PER EIA 700AAAB, HOWEVER 2.7 LENGTH ASSURES OPTIMUM SOLDER FILLET REGARDLESS OF MANUFACTURER OF CONNECTOR.
- 7 REFERRED TO AS DIM N IN EIA 700AAAB SPECIFICATION.
- 8 VACUUM COVER NOT SHOWN IN SOME VIEWS FOR CLARITY.
- 9 5.5 MIN DIAMETER TARGET AREA FOR VACUUM PICK-UP.
- 10 CONTACT FINISH: 0.002 MINIMUM BRIGHT TIN-LEAD (93-7) ON SOLDER AREA, 0.00127 MINIMUM GOLD ON MATING AREA, BOTH OVER 0.00127 MINIMUM NICKEL ON ENTIRE CONTACT.
- 11 SQUARE AND DIAMOND SHAPED POSTS.
- 12 ROUND SHAPED POSTS.



POST STYLE	FINISH	DIM D	DIM C	DIM B	DIM A	STACK HEIGHTS	POS	AMP PART NUMBER
12	10	44.4	45.9	44.58	41	9, 11, 14	84	3-146898-2
12	2	34.4	35.9	34.58	31	9, 11, 14	64	3-146898-1
12	2	44.4	45.9	44.58	41	9, 11, 14	84	2-146898-2
12	2	34.4	35.9	34.58	31	9, 11, 14	64	2-146898-1
11	10	44.4	45.9	44.58	41	9, 11, 14	84	1-146898-2
11	2	34.4	35.9	34.58	31	9, 11, 14	64	1-146898-1
11	2	44.4	45.9	44.58	41	9, 11, 14	84	146898-2
11	2	34.4	35.9	34.58	31	9, 11, 14	64	146898-1

Tyco Electronics Tyco Electronics Corporation
 Harrisburg, PA 17105-3608

28SEP98
 DSK SCHRUM
 CHAD BAKER

PRODUCT SPEC
 502-1079
 APPLICATION SPEC

PLUG ASSY, W/VACUUM COVER,
 1.0mm FH(IEEE 1386) CONNECTOR

114-25045
 00779
 C=146898

SCALE 10:1 SHEET 1 OF 1 REV F

单击下面可查看定价，库存，交付和生命周期等信息

[>>TE Connectivity\(泰科\)](#)