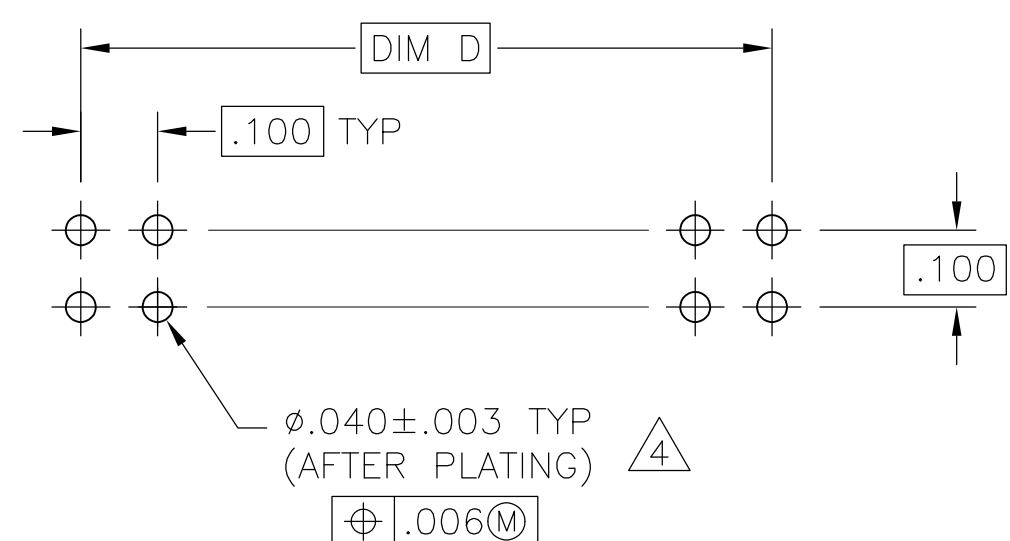
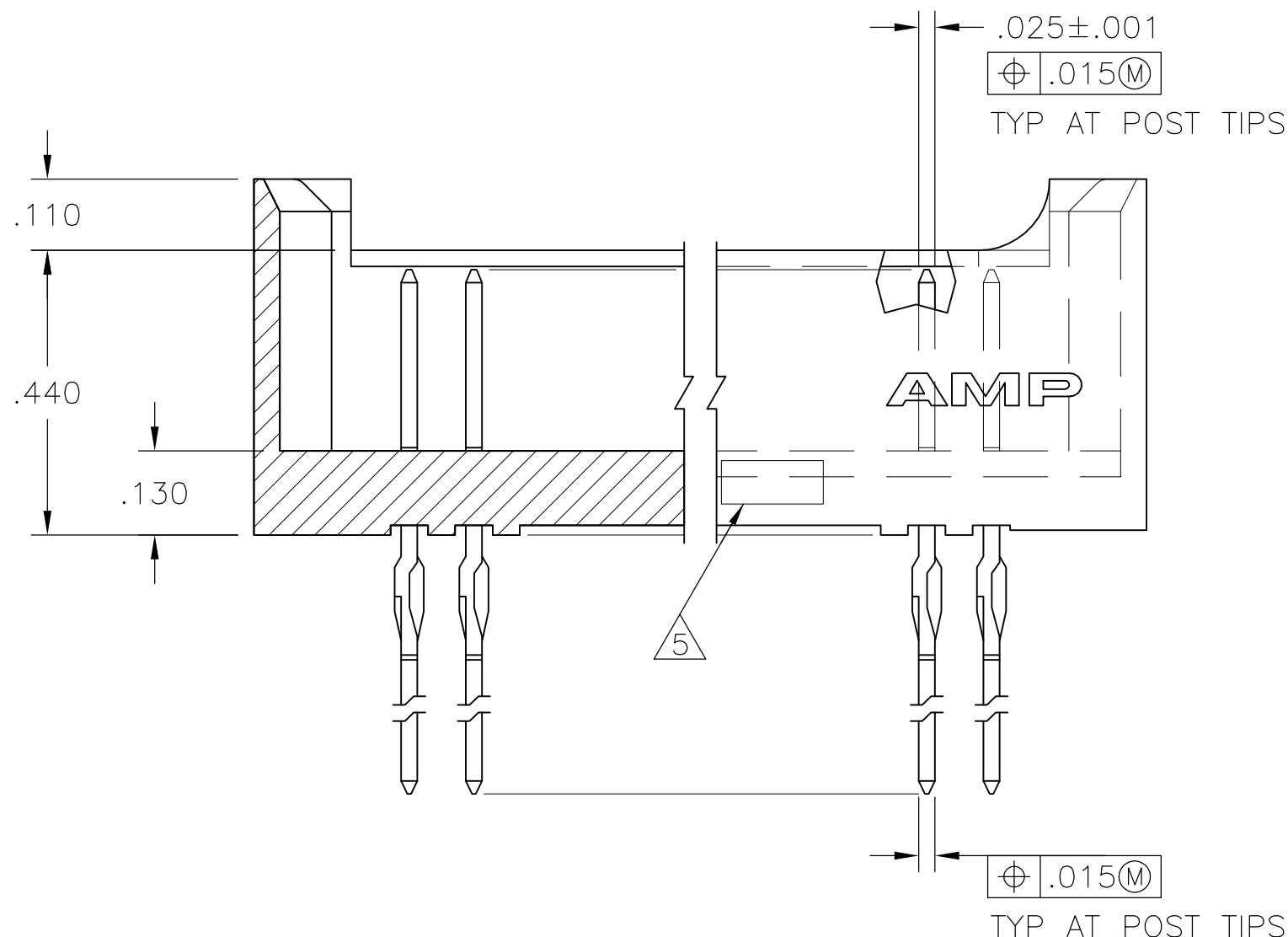
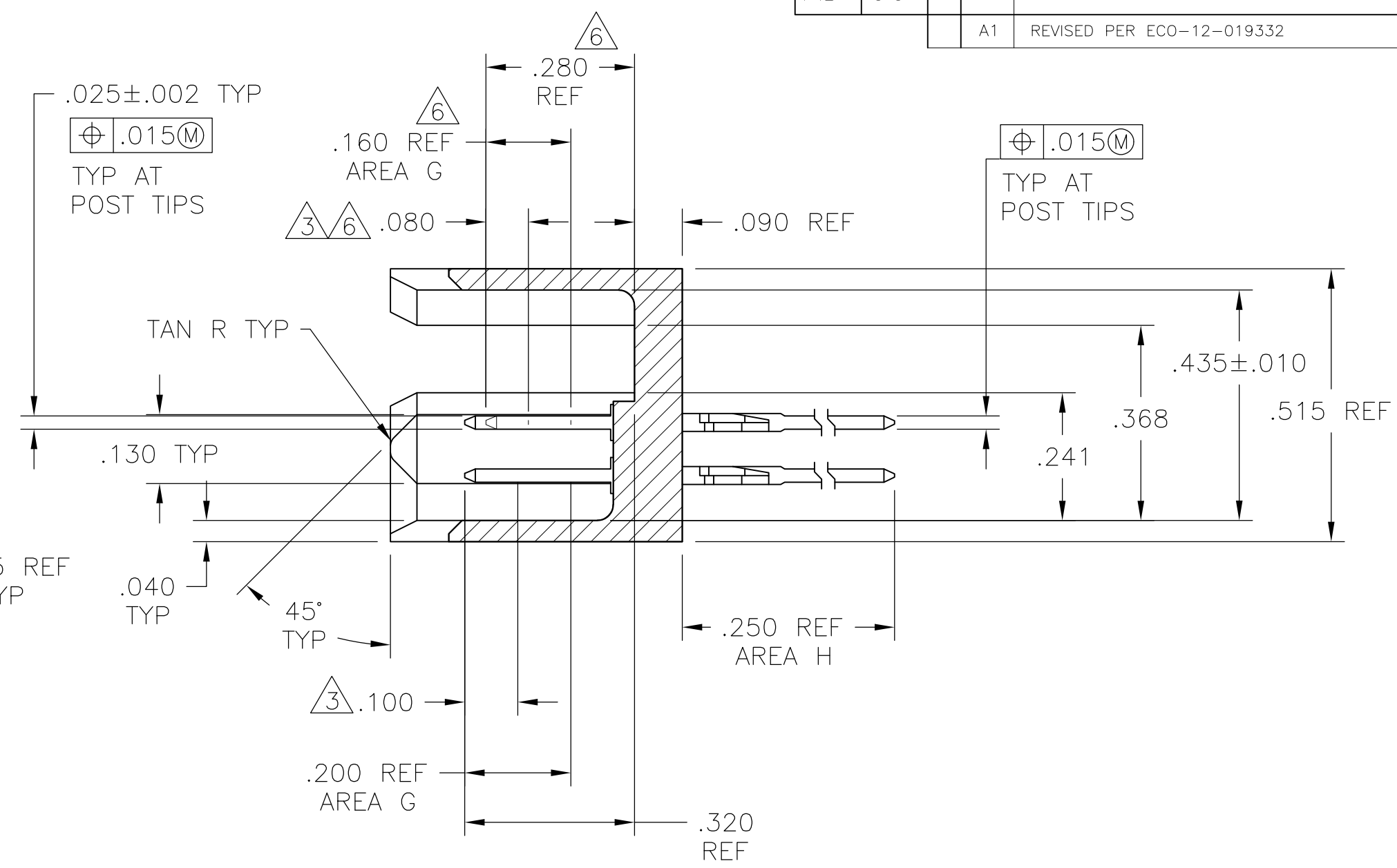
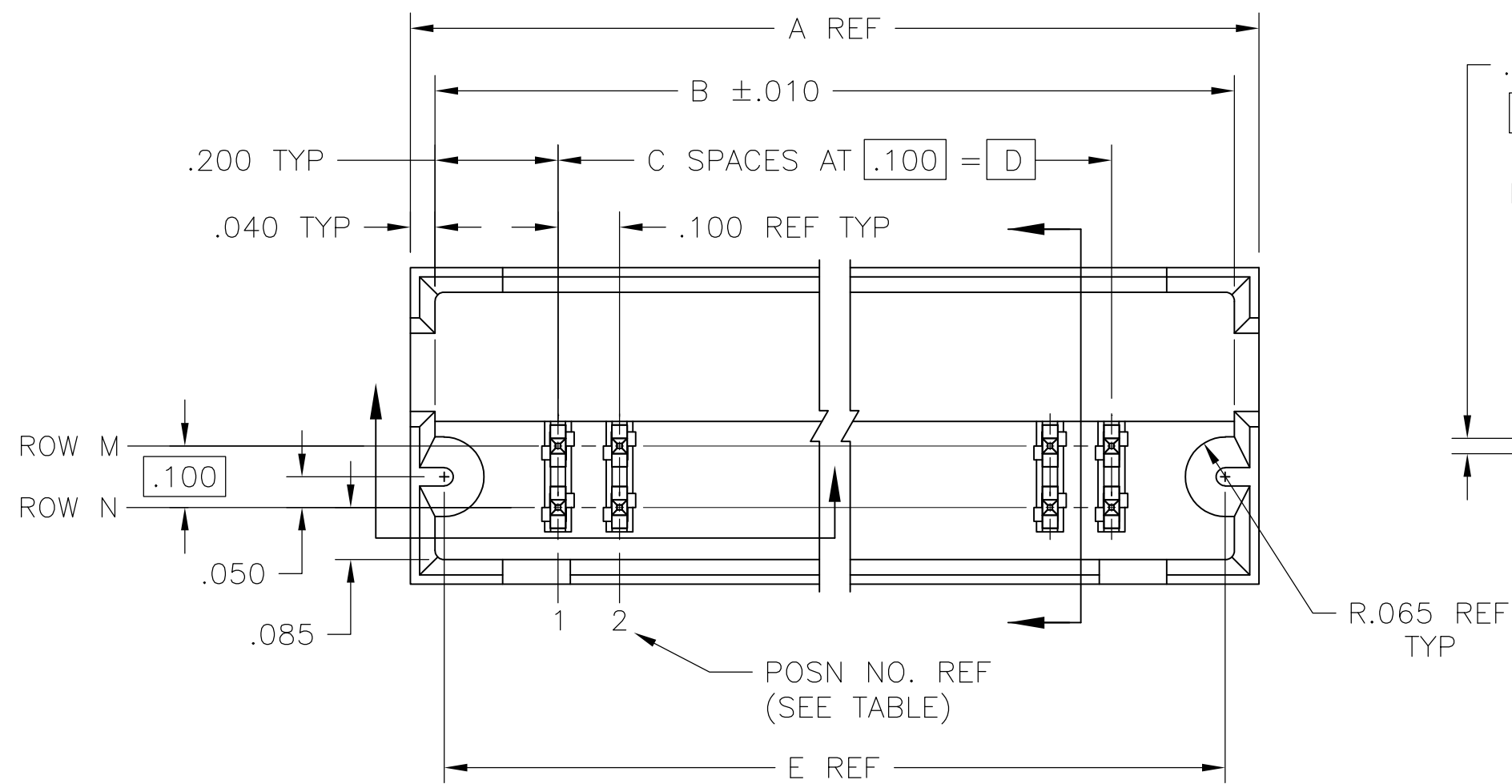


THIS DRAWING IS UNPUBLISHED. RELEASED FOR PUBLICATION
 © COPYRIGHT - By - ALL RIGHTS RESERVED.

LOC		DIST		REVISIONS			
P	LTR	DESCRIPTION	DATE	DWN	APVD		
	A1	REVISED PER ECO-12-019332	07NOV12	KH	JO		



RECOMMENDED PC BOARD LAYOUT

- 1 MATERIAL: HOUSING- FLAME RETARDANT THERMOPLASTIC, COLOR- BLACK. POST- COPPER ALLOY.
- 2 DUPLEX PLATING: .000030 GOLD IN AREA G, .000100-.000200 BRIGHT TIN-LEAD IN AREA H, ALL OVER .000050 NICKEL.
- 3 POINT OF MEASUREMENT FOR PLATING THICKNESS.
- 4 RECOMMENDED DRILL SIZE: .0452±.0010
- 5 RECESSED DATE CODE AND CSA LOGO.
- 6 NOTED DIMENSIONS FOR SELECT LOADED (.280 HIGH) POSTS.
- 7 DUPLEX PLATING: .000030 GOLD IN AREA 'G', .000100-.000200 MATTE TIN IN AREA H, ALL OVER .000050 NICKEL
- 8 ROHS 2002/95/EC COMPLIANT

FINISH	3, 4	-	1.270	.900	9	1.300	1.380	20	5-1571422-1
	3, 4	-	1.270	.900	9	1.300	1.380	20	1571422-1
	ROW M	ROW N	E	D	C	B	A	NO. OF POSN	PART NO.
	SELECT LOADING .280 HIGH POST								

THIS DRAWING IS A CONTROLLED DOCUMENT.

DIMENSIONS: INCHES	TOLERANCES UNLESS OTHERWISE SPECIFIED:	DWN R BROWN 13DEC02				
	0 PLC ± -	CHK J GESFORD 13DEC02				
	1 PLC ± -	APVD J GESFORD 13DEC02				
	2 PLC ± -	PRODUCT SPEC				
	3 PLC ± .005	APPLICATION SPEC				
MATERIAL	FINISH	WEIGHT	SIZE	CAGE CODE	DRAWING NO	RESTRICTED TO
1	SEE TABLE	-	A2	00779	C=1571422	-
CUSTOMER DRAWING			SCALE	SHEET	REV	
			4:1	1 of 1	A1	

1571422

单击下面可查看定价，库存，交付和生命周期等信息

[>>TE Connectivity\(泰科\)](#)