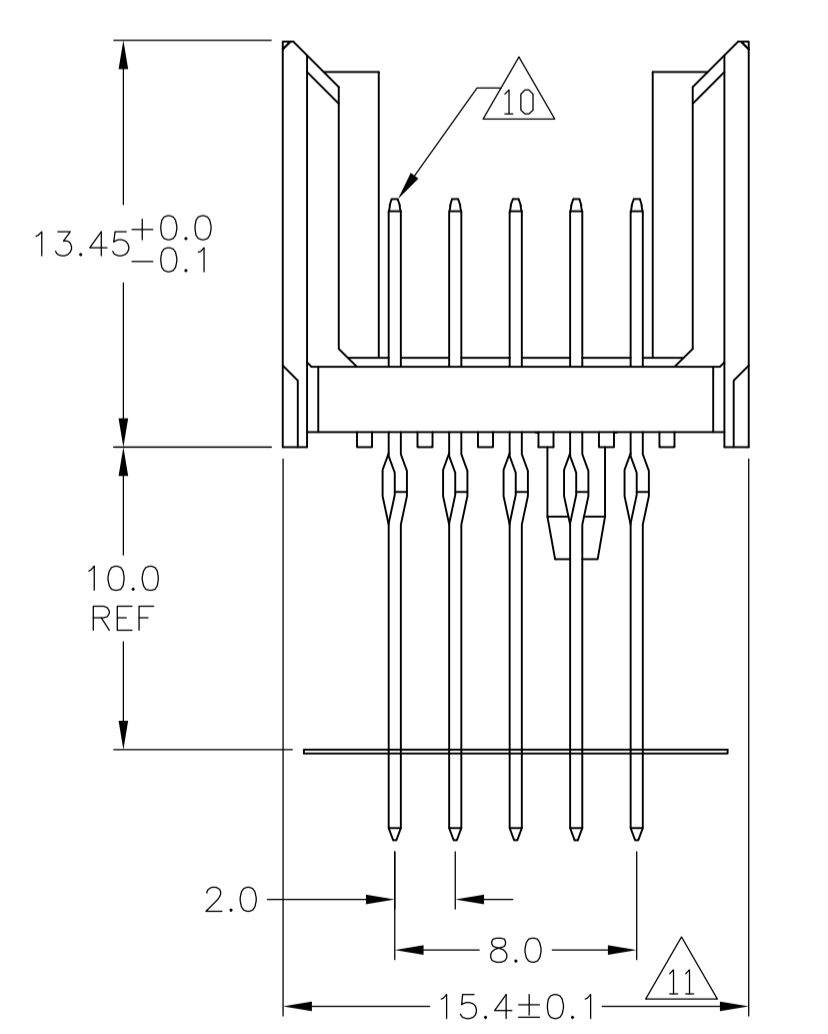
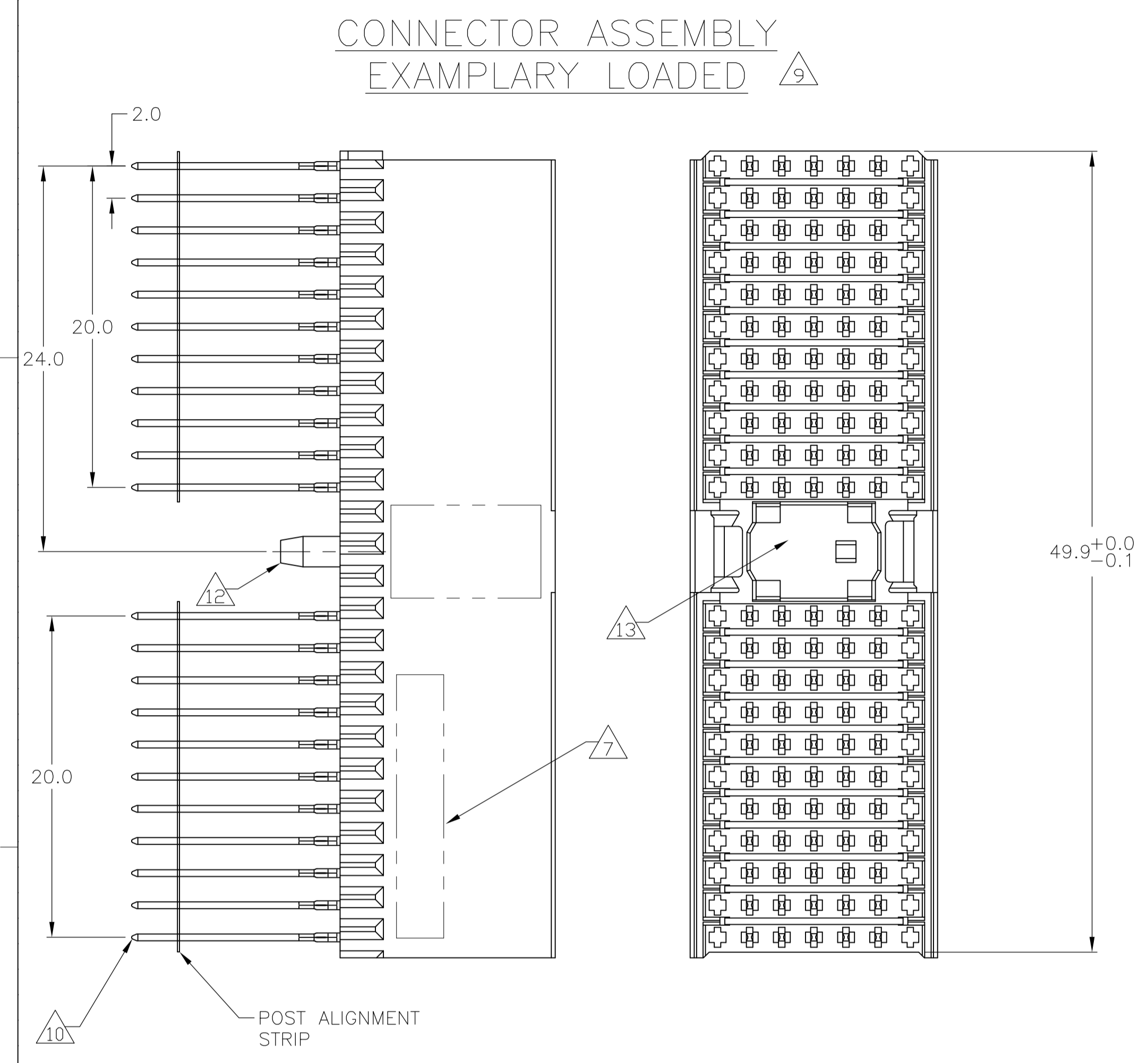
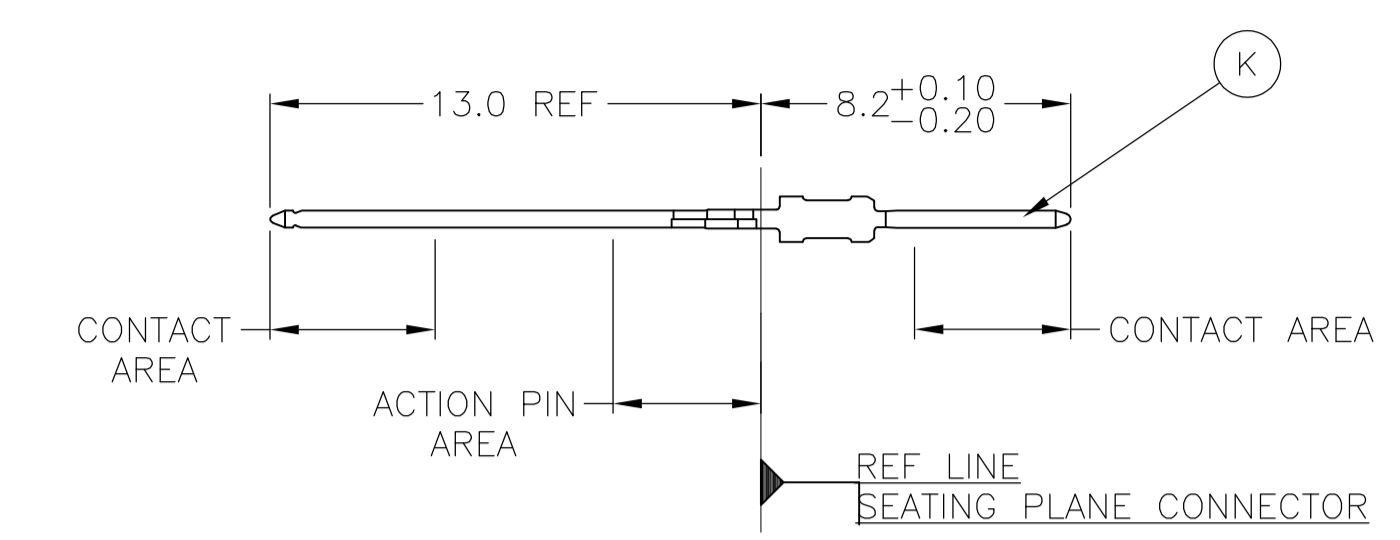


LOC		DIST		REVISIONS			
AD	00	REV	DATE	BY	CHKD	APVD	
A		REVISED PER EC OS12-0306-05	01FEB06	BC	GS		
B		ECR-10-019054	15SEP10	DP	MQW		



CONTACT DIMENSIONS

SCALE 5:1

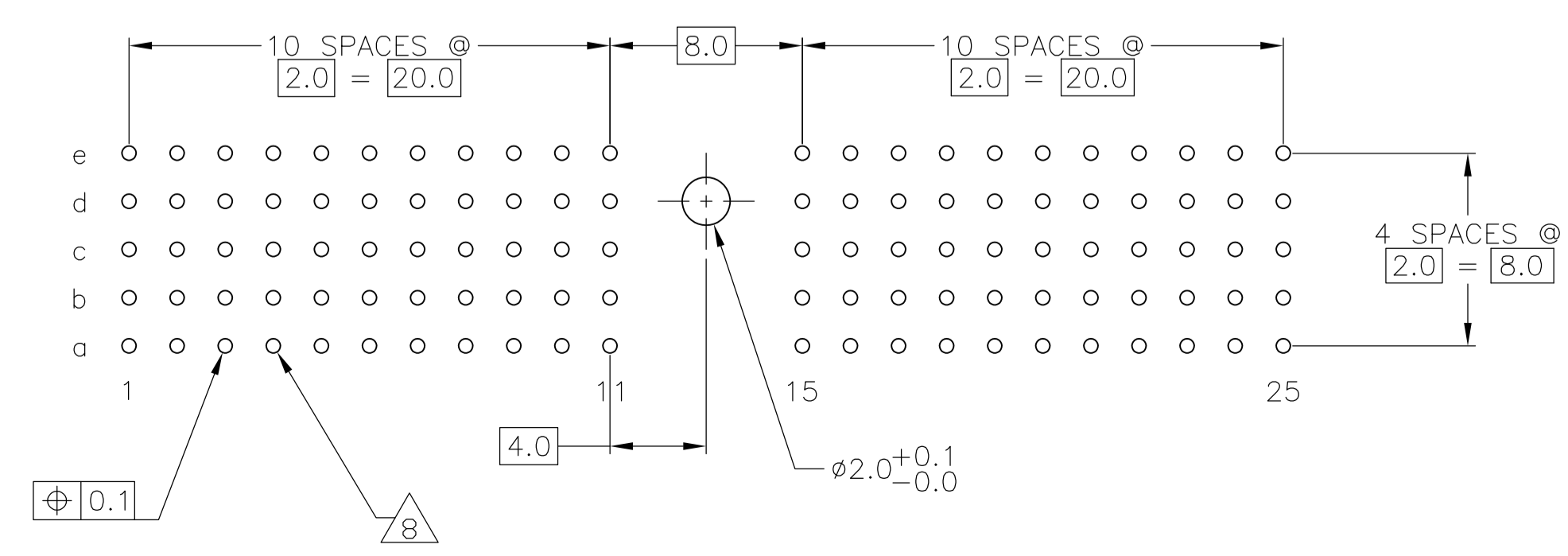


CONTACT LAYOUT

	z	a	b	c	d	e	f
1		K	K	K	K	K	
2		K	K	K	K	K	
3		K	K	K	K	K	
4		K	K	K	K	K	
5		K	K	K	K	K	
6		K	K	K	K	K	
7		K	K	K	K	K	
8		K	K	K	K	K	
9		K	K	K	K	K	
10		K	K	K	K	K	
11		K	K	K	K	K	
MULTI PURPOSE CENTER							
15		K	K	K	K	K	
16		K	K	K	K	K	
17		K	K	K	K	K	
18		K	K	K	K	K	
19		K	K	K	K	K	
20		K	K	K	K	K	
21		K	K	K	K	K	
22		K	K	K	K	K	
23		K	K	K	K	K	
24		K	K	K	K	K	
25		K	K	K	K	K	

RECOMMENDED PCB-HOLE LAYOUT COMPONENT SIDE SHOWN

PLATED THRU HOLES PARAMETERS
 REFERENCE APPLICATION SPECIFICATION



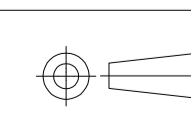
2 6 14	1-5106164-9
2 5 14	5106164-9
2 4	5106164-4
2 3	5106164-1
FINISH	PART NUMBER

THIS DRAWING IS A CONTROLLED DOCUMENT.

DIMENSIONS: mm	TOLERANCES UNLESS OTHERWISE SPECIFIED: ±0.2	DIN B CARBO 24JAN05	Tyco Electronics Corporation Harrisburg, Pa 17105-3608
0-PLG ±	1-PLG ±0.1	CHK G SKIPPER 24JAN05	APVD G SKIPPER 24JAN05
2-PLG ±	3-PLG ±	NAME MALE ASSEMBLY, Z-PACK 2mm HM, TYPE A	
4-PLG ±	ANGLES ±	PRODUCT SPEC 108-19082	
MATERIAL 1	FINISH SEE TABLE	APPLICATION SPEC 114-19029	RESTRICTED TO
		WEIGHT	SIZE CAGE CODE DRAWING NO
			A1 00779 C=5106164
		CUSTOMER DRAWING	SCALE 4:1 SHEET 1 OF 2 REV B

LOC		DIST		REVISIONS			
P	LTR	DESCRIPTION	DATE	DN	APVO		
AD	00	SEE SHEET 1	-	-	-		

- 1 MATERIAL:
CONTACT: PHOSPHOR BRONZE.
HOUSING: GLASS-FILLED POLYESTER.
- 2 GENERAL PLATING SPECIFICATION: UNDERPLATING
(ENTIRE CONTACT): 1.27µm MIN NICKEL AND ACTION
PIN: 0.5µm MIN TIN.
FOR PLATING OF MATING SURFACES SEE APPLICABLE
SPECIFICATION REFERENCE FOR EACH DASH NUMBER.
- 3 CONFORMS TO ALL TESTING ACCORDING TO IEC 61076-4-101
PERFORMANCE LEVEL 2.
- 4 CONFORMS TO ALL TESTING ACCORDING TO IEC 61076-4-101
PERFORMANCE LEVEL 1.
- 5 CONNECTOR TESTED AND QUALIFIED AGAINST TELCORDIA GR-1217-CORE QUALITY LEVEL 3,
CENTRAL OFFICE APPLICATIONS.
- 6 CONNECTOR TESTED AND QUALIFIED AGAINST TELCORDIA GR-1217-CORE QUALITY LEVEL 3,
UNCONTROLLED ENVIROMENT APPLICATIONS.
- 7 CONNECTOR MARKED WITH PART NUMBER AND DATE CODE.
ADDITIONAL CHARACTERS OR MARKINGS, AS WELL AS THE LOCATION OF THE MARKINGS,
MAY BE ADDED FOR TRACEABILITY BASED UPON MANUFACTURERS DISCRETION.
- 8 PLATED-THROUGH HOLES AT 2x2mm SQUARE GRID
PATTERN DEFINED BY CONTACT LAYOUT.
- 9 FOR ACTUAL PIN LOADING SEE "CONTACT LAYOUT".
- 10 FOR ACTUAL PIN DIMENSIONS SEE "CONTACT DIMENSIONS".
- 11 TO BE MEASURED AT BOTTOM OF SHROUD.
- 12 POLARIZATION FEATURE.
- 13 AREA RESERVED FOR KEYING PART (BASIC P/N 100525)
- 14 CONNECTOR LUBRICATED WITH BELCORE APPROVED LUBRICANT,
TECHNICAL REFERENCE: TR-NWT-001217 ISSUE 1, SEP 1992.

THIS DRAWING IS A CONTROLLED DOCUMENT.		DIN B CARBO 24JAN05		Tyco Electronics Corporation Harrisburg, Pa 17105-3608	
DIMENSIONS: mm		TOLERANCES UNLESS OTHERWISE SPECIFIED: ±0.2		G.SKIPPER 24JAN05	
		0-PLC ± 1-PLC ±0.1 2-PLC ± 3-PLC ± 4-PLC ± ANGLES ±		APVO G.SKIPPER 24JAN05 PRODUCT SPEC 108-19082 APPLICATION SPEC 114-19029	
MATERIAL SEE SHEET 1		FINISH SEE SHEET 1		WEIGHT CUSTOMER DRAWING	
		SIZE A1		CAGE CODE 00779	
		DRAWING NO 5106164		RESTRICTED TO -	
		SCALE 4:1		SHEET 2 OF 2	
				REV B	

单击下面可查看定价，库存，交付和生命周期等信息

[>>TE Connectivity\(泰科\)](#)