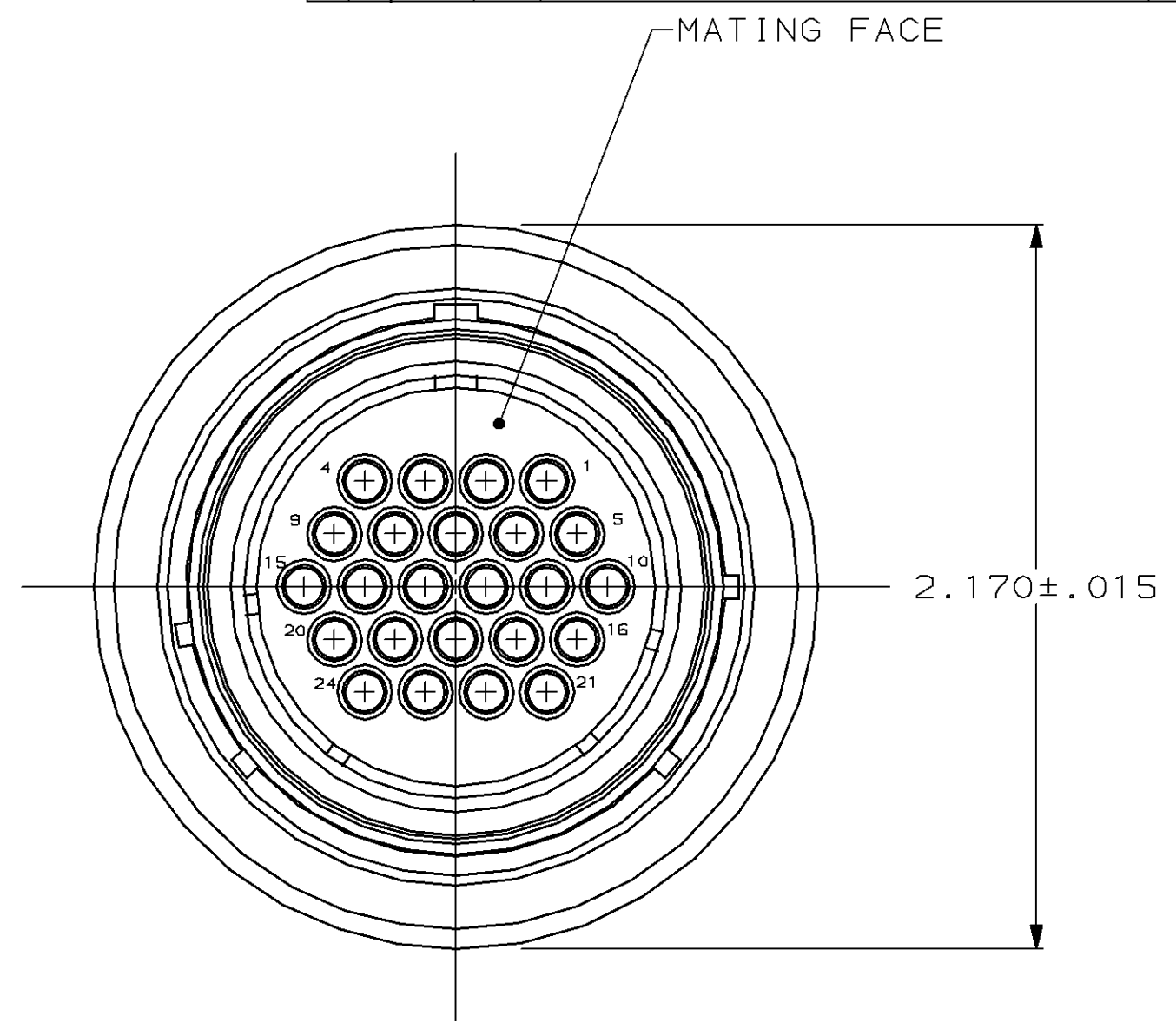
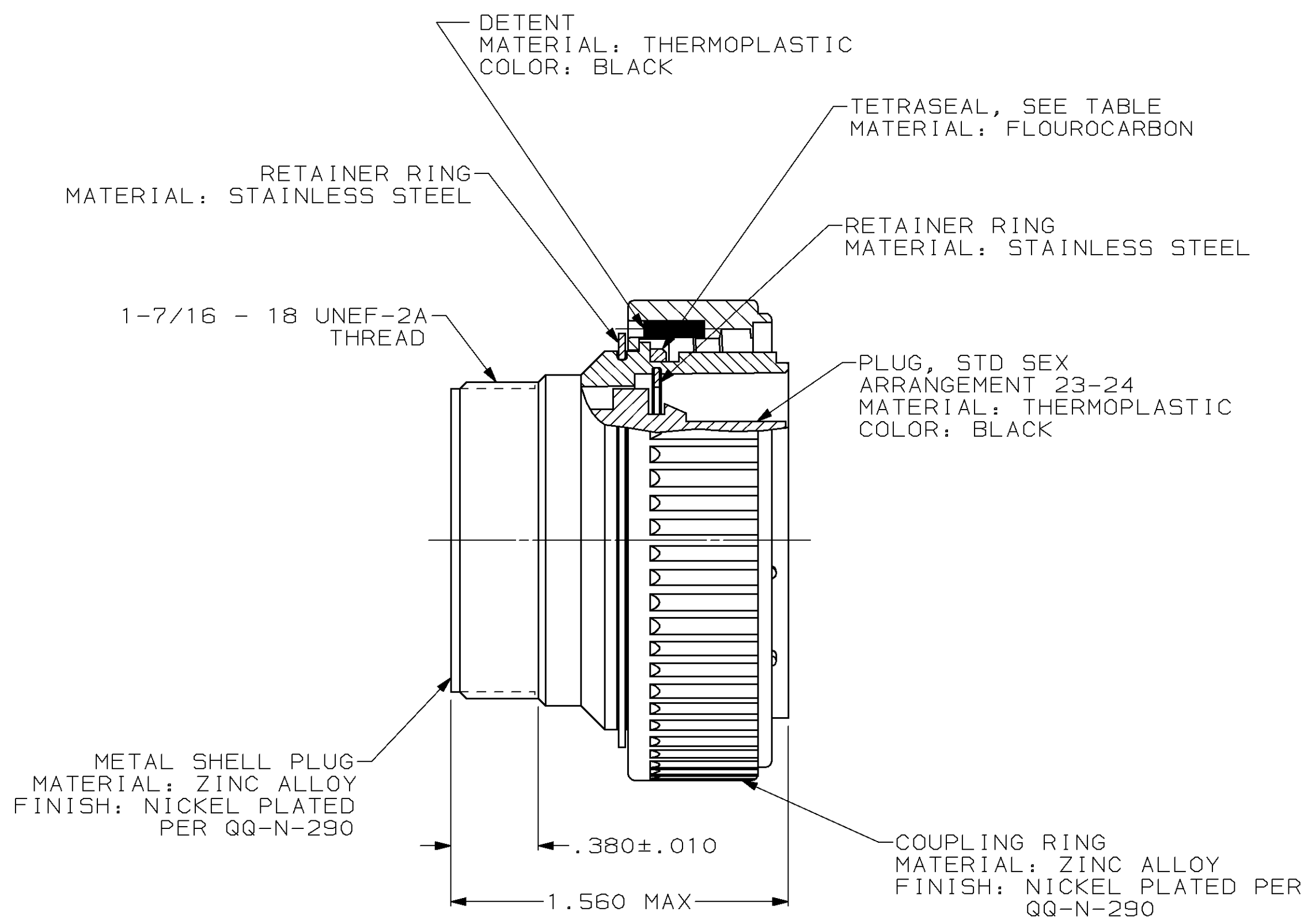


LOC	DIST	P	F	ZONE	LTR	DESCRIPTION	DATE	APPD
BD	35				M	REDRAWN	6-25-91	-
					N	REV PER ECN BD5454	05/26/92	KB
					P	OBS -3 PER EC 0020-0394-93	11/17/94	RK
					R	SUPSD -3 & REV PER EC 0020-1080-95	17 OCT 95	RB
					S	REV AND REACTIVATE -3 PER EC 0020-419-96	07 MAY 96	AWF



YES	208457-3
NO	208457-1
TETRASEAL	PART NUMBER

- 208457-1 MATES WITH AMP RECEPTACLE 208459-1 OR -2.
208457-3 MATES WITH AMP RECEPTACLE 208459-1 ONLY.
- AMP PART NUMBER AND DATE CODE TO BE LOCATED ON COUPLING RING.

DO NOT SCALE PRINT. UNLESS SPECIFIED DIMENSIONS IN INCHES TOLERANCES ON : 2 PLC DEC ± - 3 PLC DEC ± - ANGLES ± -	DR 6-25-91 R.LEE BG	AMP Incorporated Harrisburg, PA 17105-3608
	CHK 4-16-92 W.G.LENKER	
MATERIAL SEE CALLOUT	APPD 4-16-92 K.BEAVER	NAME PLUG ASSEMBLY, STD SEX, SERIES 1, 28-24, CMC
FINISH SEE CALLOUT	APPD 4-16-92 C.ROHDE	SIZE C 00779
	PRODUCT SPEC 108-10040	CAGE CODE 00779
	APPLICATION SPEC -	DRAWING NO 208457
	WEIGHT -	SCALE 2:1
		SHEET 1 OF 1

单击下面可查看定价，库存，交付和生命周期等信息

[>>TE Connectivity\(泰科\)](#)