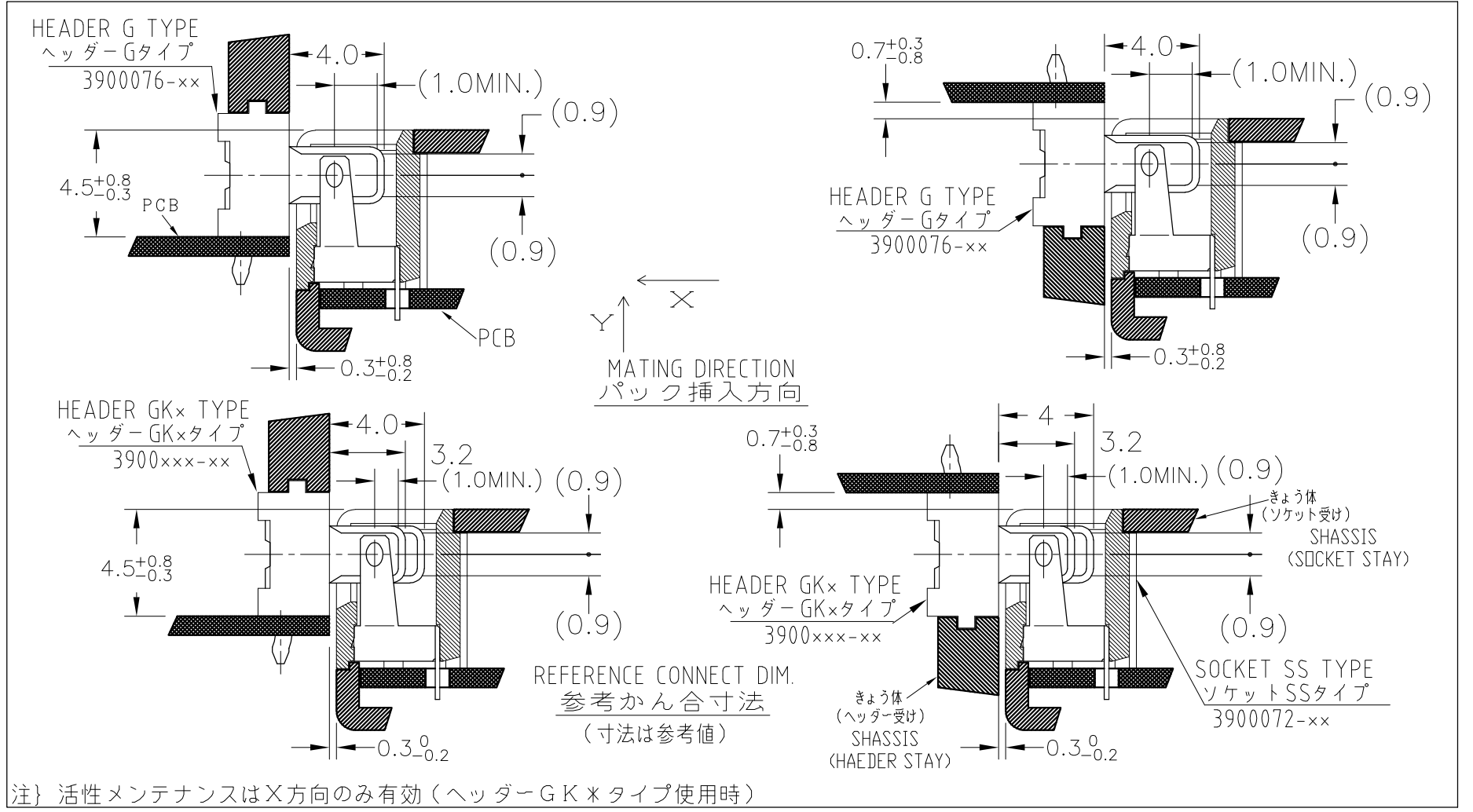


| LOC | DIST | REVISIONS | | |
|-----|------|-----------|-----|---------------------------|
| | | P | LTR | DESCRIPTION |
| J | - | B1 | | REVISED PER ECO-10-000444 |
| | | | | DATE: 19JAN10 |
| | | | | DWN: KK |
| | | | | APVD: HMR |

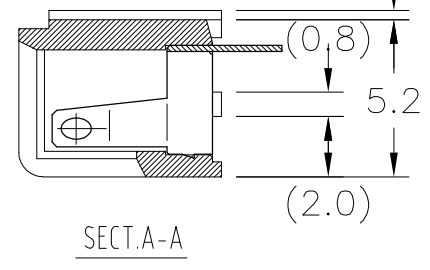
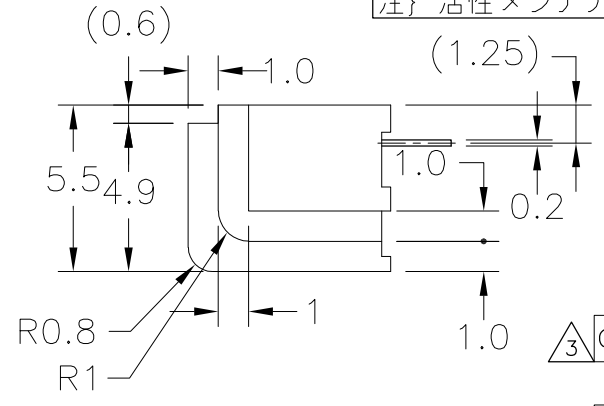
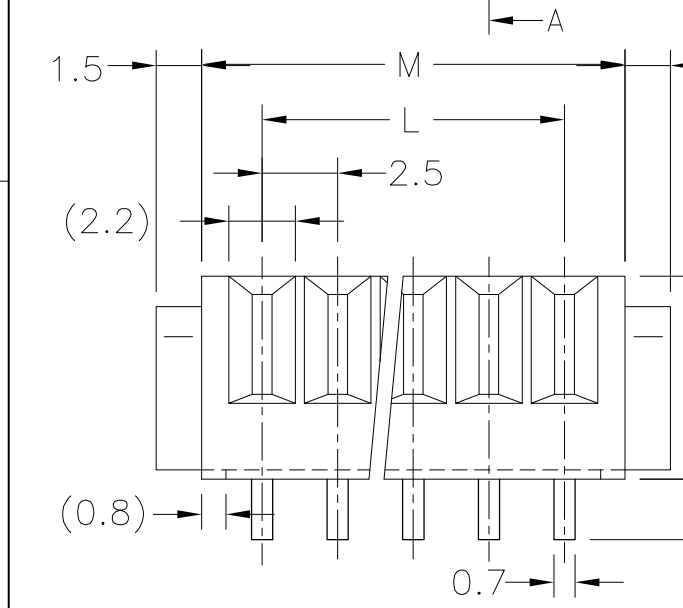
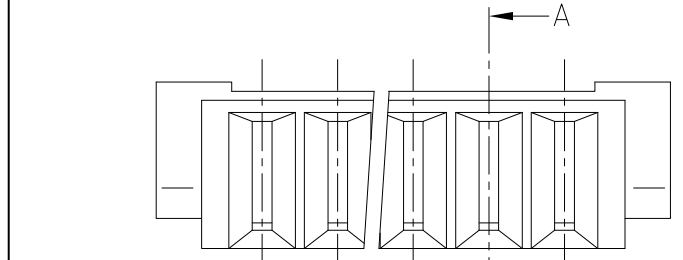
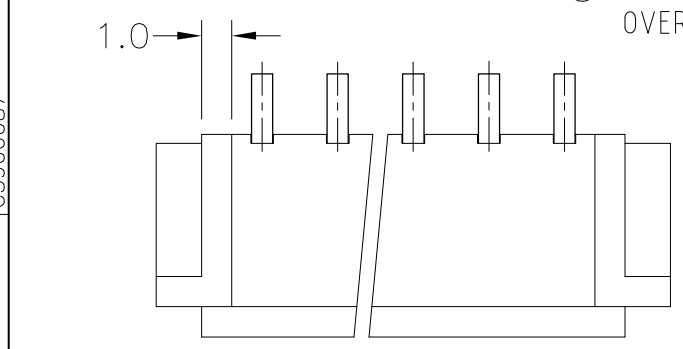
注記
 1. 一般公差±0.3

△ 材質
 ハウジング：熱可塑性樹脂，黒色
 コンタクト：銅合金
 全面：ニッケル下地めっき
 接触部：金めっき 0.1μmMIN.
 ②半田付け部：金フラッシュメッキ

NOTE.
 1. GENERAL TOLERANCE : ±0.3
 2. MATERIALS
 HOUSING : THERMOPLASTIC, BLACK
 CONTACT : COPPER ALLOY
 0.1μmMIN. GOLD
 OVER NICKEL PLATE (CONTACT AREA)
 ② Au FLASH PLATING
 OVER NICKEL PLATE (TAIL AREA)



注} 活性メンテナンスはX方向のみ有効(ヘッダーGKxタイプ使用時)



△ OBSOLETE PARTS: OBSOLETE CIS STREAMLINING PER D.RENAUD/D.SINISI

| 6-1447143-0 | 3900072-06 | 6 | 12.5 | 16.5 | |
|------------------------|---------------------|-------------------|---------|-----------|--------------|
| 4-1447141-2 | 3900072-05 | 5 | 10.0 | 14.0 | |
| 1-1437118-0 | 3900072-04 | 4 | 7.5 | 11.5 | |
| 5-1447143-9 | 3900072-03 | 3 | 5.0 | 9.0 | |
| Part No. 型番 | Old Part No. 旧型番 | NO. OF POS. 極数 | L 寸法 | M SIZE | REMARK 備考 |

THIS DRAWING IS A CONTROLLED DOCUMENT.

| | | |
|------------------|---------|--|
| DWN: H.TAKASU | 08JAN04 | Tyco Electronics AMP K.K. Kawasaki, Japan |
| CHK: T.KIMURA | 08JAN04 | |
| APVD: K.IKEGAMI | 08JAN04 | |
| PRODUCT SPEC | | |
| 108-78126 | | BU CONNECTOR FS3 SOCKET SS TYPE |
| APPLICATION SPEC | | |
| WEIGHT: - | | SIZE: A3 |
| CUSTOMER DRAWING | | CAGE CODE: 00779 |
| | | DRAWING NO: C-5-1447143-9 |
| | | RESTRICTED TO: - |
| | | SCALE: NON |
| | | SHEET: 1 OF 1 |
| | | REV: B1 |

单击下面可查看定价，库存，交付和生命周期等信息

[>>TE Connectivity\(泰科\)](#)