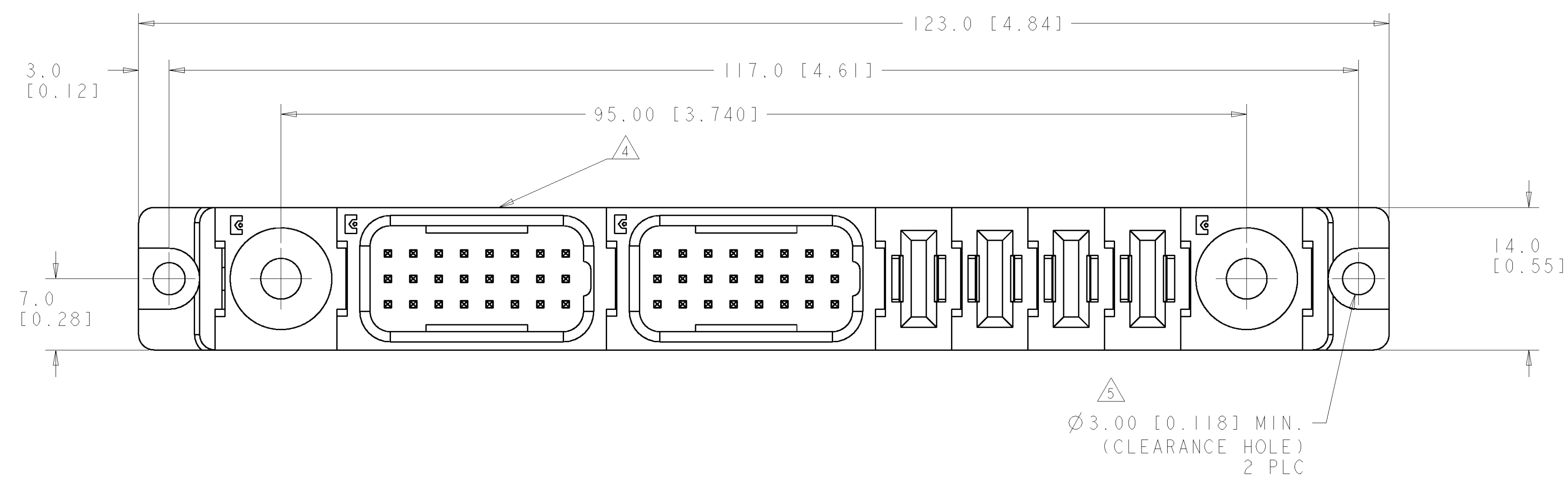


LOC	DIST	REVISIONS					
GP	00	P	LTR	DESCRIPTION	DATE	DWN	APVD
		A		RELEASED	12JAN2007	RG	PD

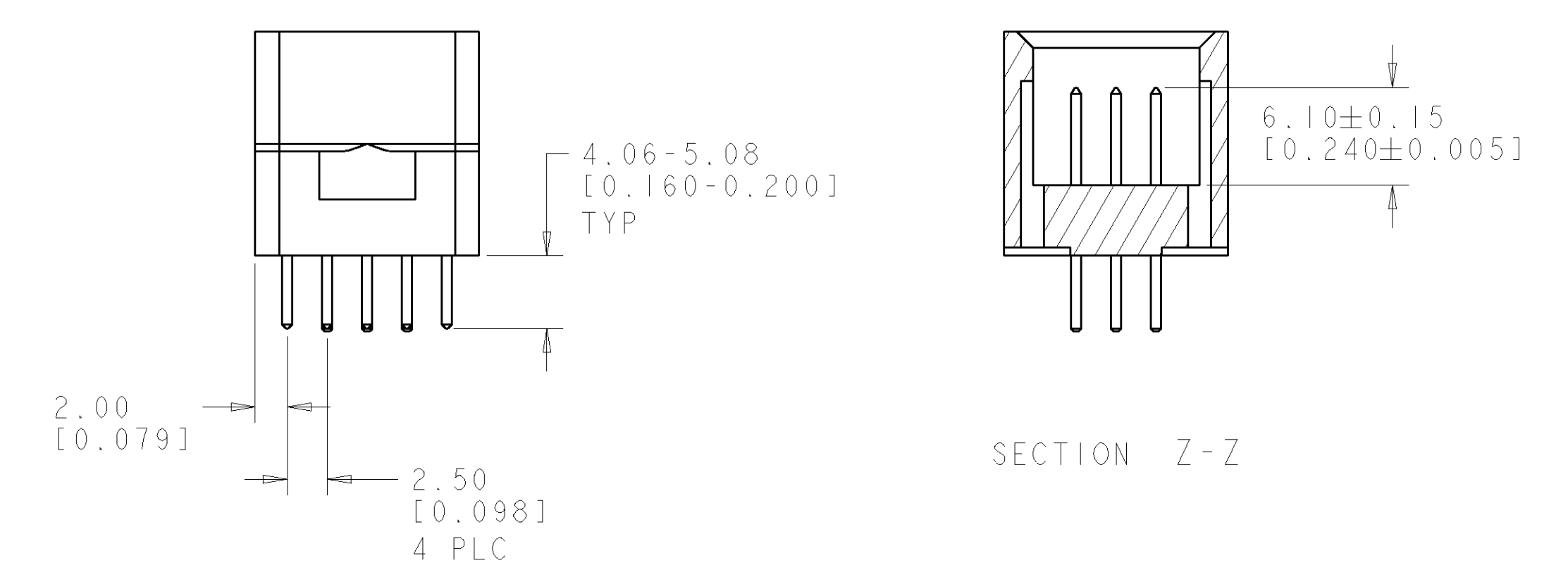
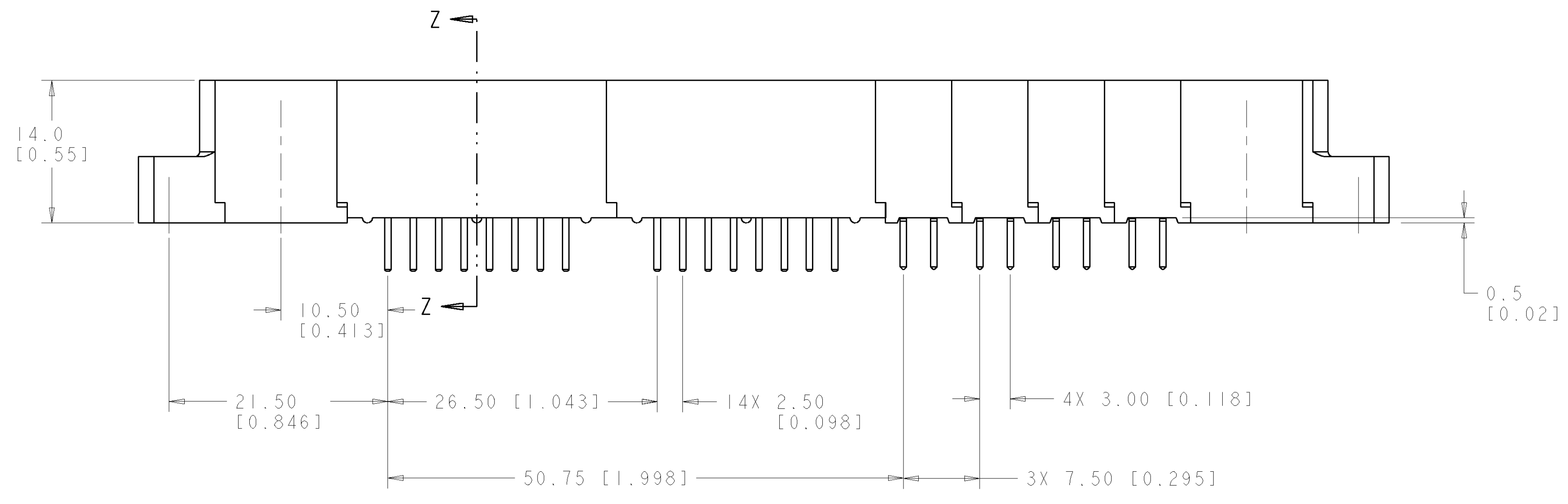


- PART NUMBER CHANGES AND OR DESIGN CHANGES AFFECTING ITEM INTERCHANGEABILITY REQUIRE PRIOR TYCO APPROVAL AND AUTHORIZATION BY REVISION TO THIS DRAWING.
- MATERIAL:
 INSULATORS - THERMOPLASTIC, GLASS REINFORCED, UL94V-0 FLAMMABILITY RATED.
 COLOR: BLACK
 CROWN BAND HOLDER - PHOSPHOR BRONZE ALLOY,
 BERYLLIUM COPPER ALLOY
 SIGNAL CONTACTS - BRASS ALLOY
- FINISH:
 CONTACTS - GOLD PLATE .000030" MIN. THK., OVER NICKEL
 .000050" MIN. THK.
 SOLDER TAILS TIN .000120" MIN. THK. OVER NICKEL
 .000050" MIN THK.

4 ITEMS PROVIDED TO THIS SPECIFICATION TO BE PERMANENTLY IDENTIFIED PER THE FOLLOWING IDENTIFIER LABEL

YEAR | WEEK
 TYCO PART NO. DATE CODE (e.g. 0106)
 XXXXXXXX-X XXXX

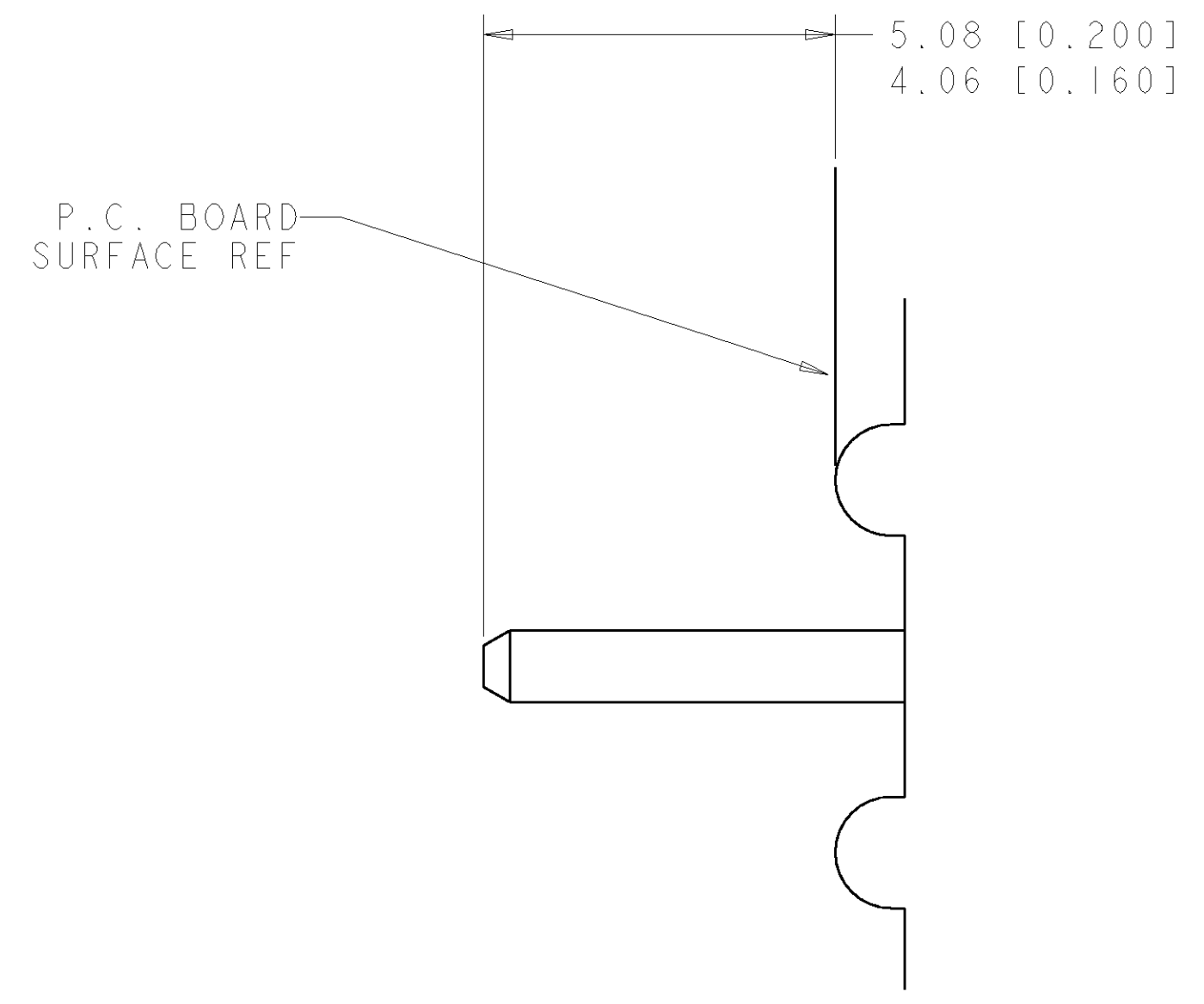
5 MOUNTING FLANGES ACCEPTS M3 OR #4-40 SCREWS (USER SUPPLIED)



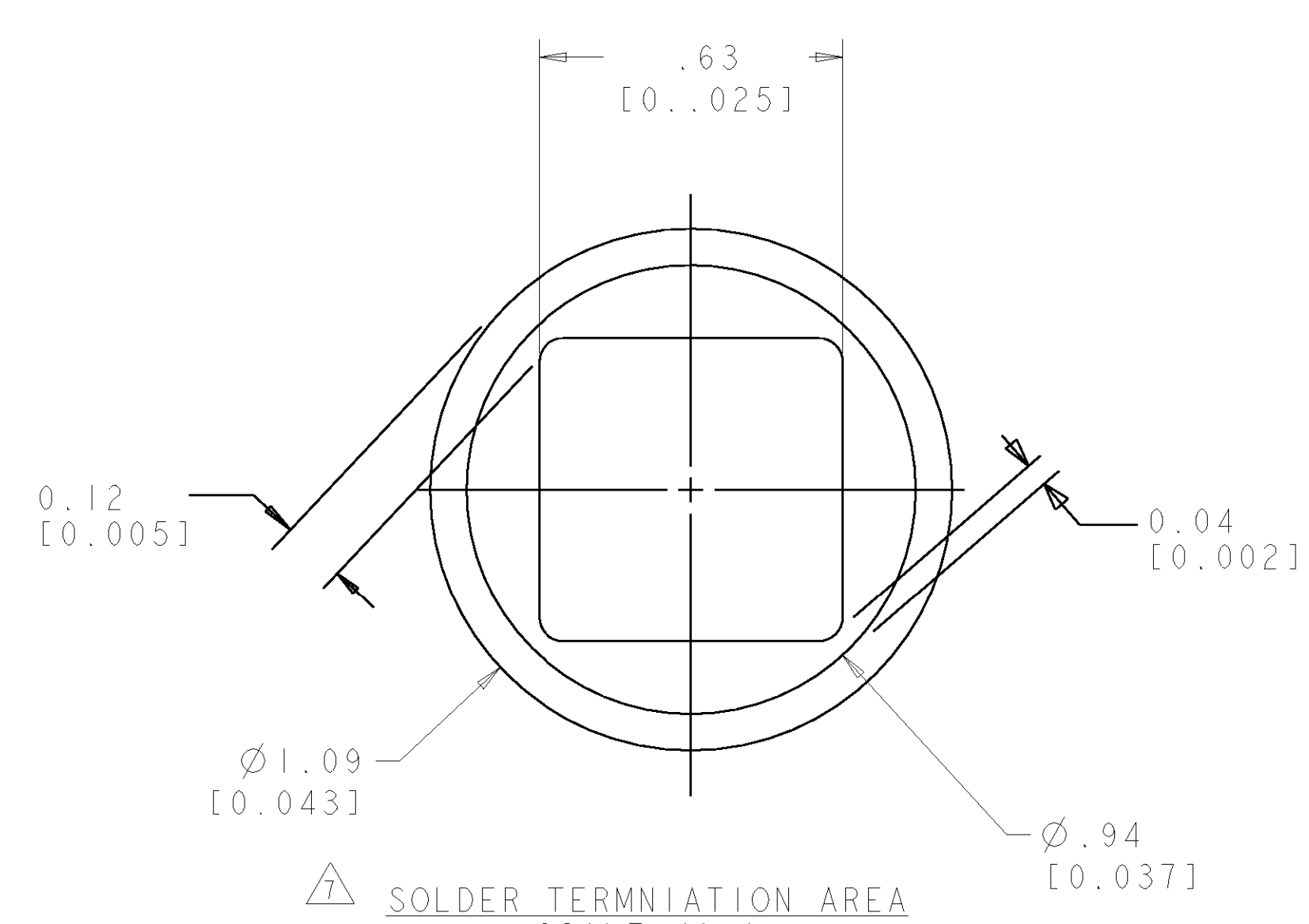
ELCON FLATPAQ

AS SHOWN		1926234-1	
DESCRIPTION		PART NUMBER	
DIMENSIONS: mm TOLERANCES UNLESS OTHERWISE SPECIFIED: 0 PLC ± 1 PLC ±.3 [0.02] 2 PLC ±.15 [0.006] 3 PLC ± 4 PLC ± ANGLES ±.5 FINISH		DWN: B. GRZYBOWSKI 040CT06 CHK: P. DAMATO 040CT06 APVD: S. FLICKINGER 040CT06 PRODUCT SPEC APPLICATION SPEC WEIGHT CUSTOMER DRAWING	
MATERIAL: - FINISH: -		NAME: tyco Electronics Tyco Electronics Harrisburg, PA 17105-3608 CONECTOR ASSEMBLY, PIN/SOCKET STRAIGHT, SOLDER TAIL FLATPAQ SIZE: A 00779 C=1926234 SCALE: 3:1 SHEET 1 OF 3 REV A	

LOC	DIST	REVISIONS					
		P	LTR	DESCRIPTION	DATE	DWN	APVD
GP	00	-	-	SEE SHEET 1	-	-	-



6. SOLDER TAIL DETAIL
SCALE 10 : 1



△ SOLDER TERMINATION AREA
 SCALE 40:1
 RECOMMENDED PRINTED CIRCUIT SOLDER HOLE
 FINISHED HOLE: Ø1.02 [0.040] ±.008 [0.0003]
 DRILLED HOLE: Ø1.15 [0.0453] ±.013 [0.0005]
 COPPER PLATE: .025 [0.0010] MIN.
 TIN PLATE: .008 [0.0003] MIN. (PER SURFACE)

<small>THIS DRAWING IS UNPUBLISHED. RELEASED FOR PUBLICATION. ALL RIGHTS RESERVED. THIS DRAWING IS THE PROPERTY OF TYCO ELECTRONICS CORPORATION. IT IS TO BE USED ONLY FOR THE PURPOSES AND ORGANIZATION SPECIFIED BY THE CUSTOMER. IT IS NOT TO BE REPRODUCED OR TRANSMITTED IN ANY FORM OR BY ANY MEANS, ELECTRONIC OR MECHANICAL, INCLUDING PHOTOCOPYING, RECORDING, OR BY ANY INFORMATION STORAGE AND RETRIEVAL SYSTEM, WITHOUT THE WRITTEN PERMISSION OF TYCO ELECTRONICS CORPORATION.</small>		DWN B. GRZYBOWSKI	040CT06		Tyco Electronics Harrisburg, PA 17105-3608
<small>TYCO ELECTRONICS CORPORATION</small>		CHK P. DAMATO	040CT06		NAME S. FLICKINGER
<small>TYCO ELECTRONICS CORPORATION</small>		APVD S. FLICKINGER	040CT06	PRODUCT SPEC -	SIZE A
<small>TYCO ELECTRONICS CORPORATION</small>		APPLICATION SPEC -		APPLICATION SPEC -	CAGE CODE 1926234
<small>TYCO ELECTRONICS CORPORATION</small>		MATERIAL -		WEIGHT -	RESTRICTED TO -
<small>TYCO ELECTRONICS CORPORATION</small>		FINISH -		CUSTOMER DRAWING	SCALE 3:1 SHEET 3 OF 3 REV A

单击下面可查看定价，库存，交付和生命周期等信息

[>>TE Connectivity\(泰科\)](#)