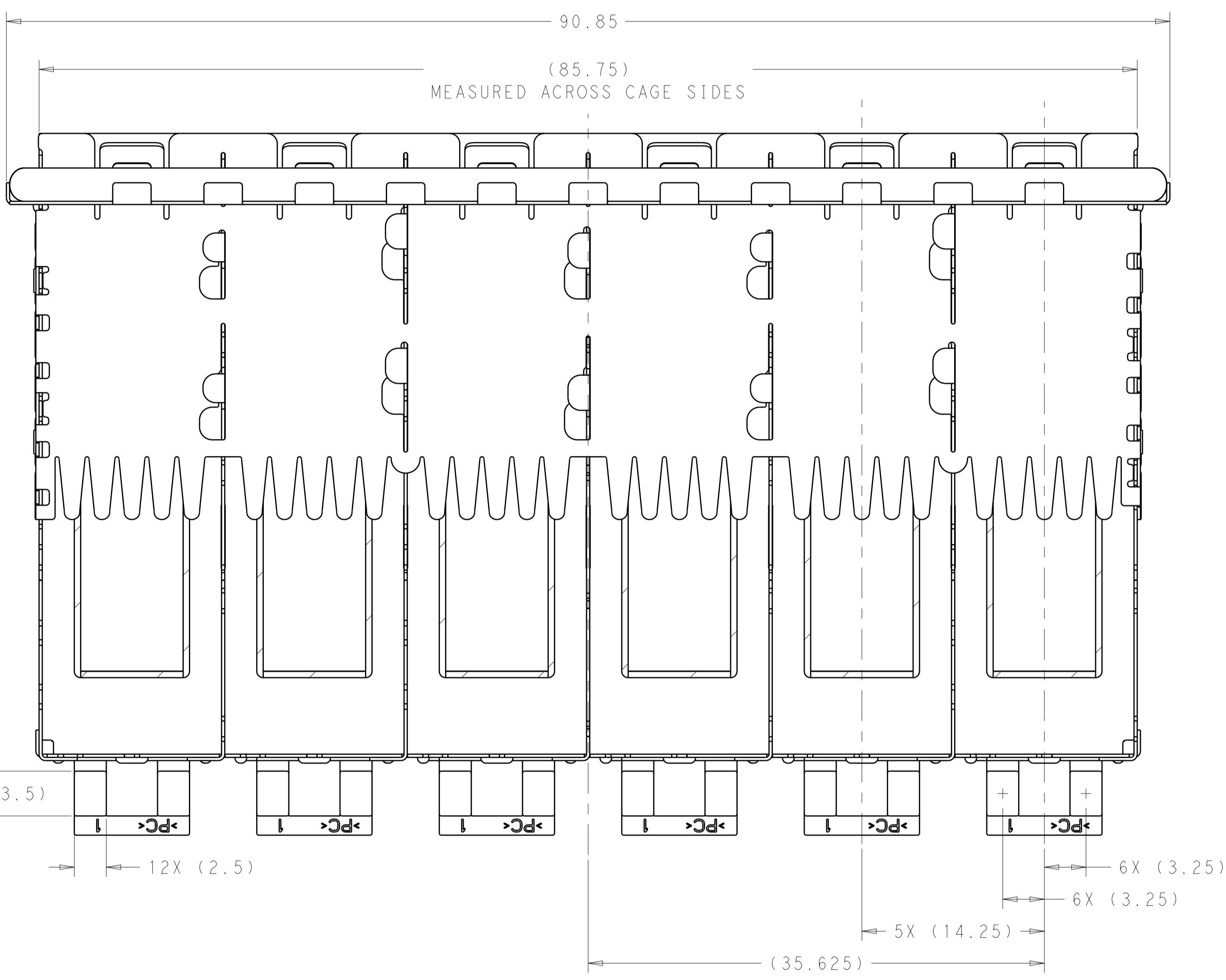
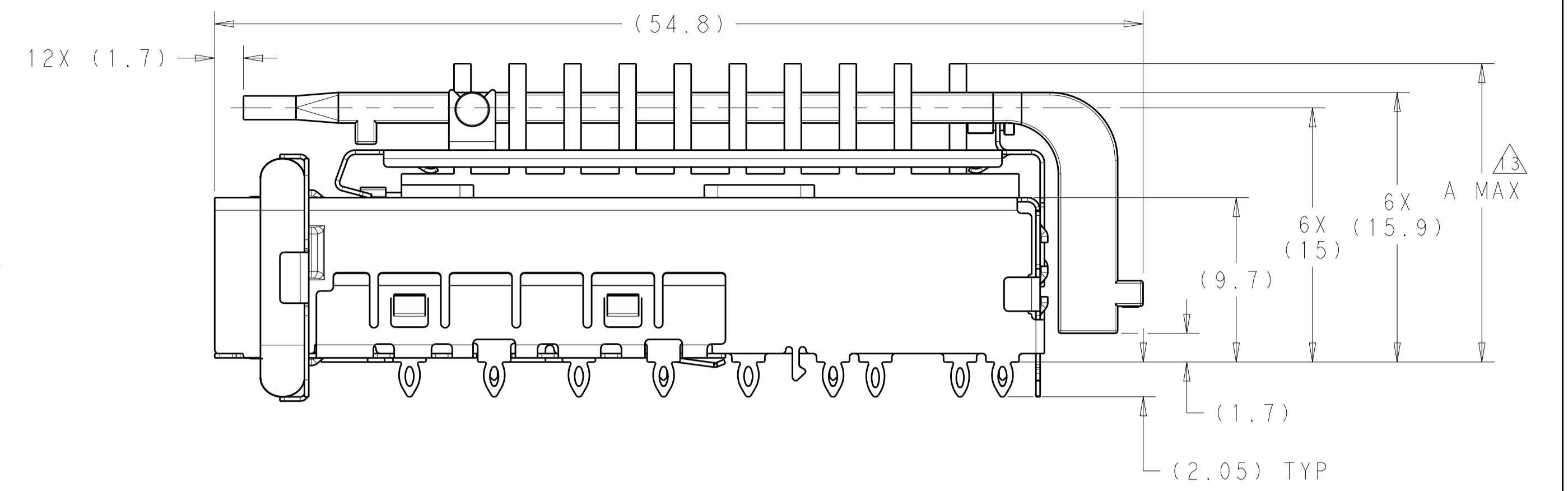
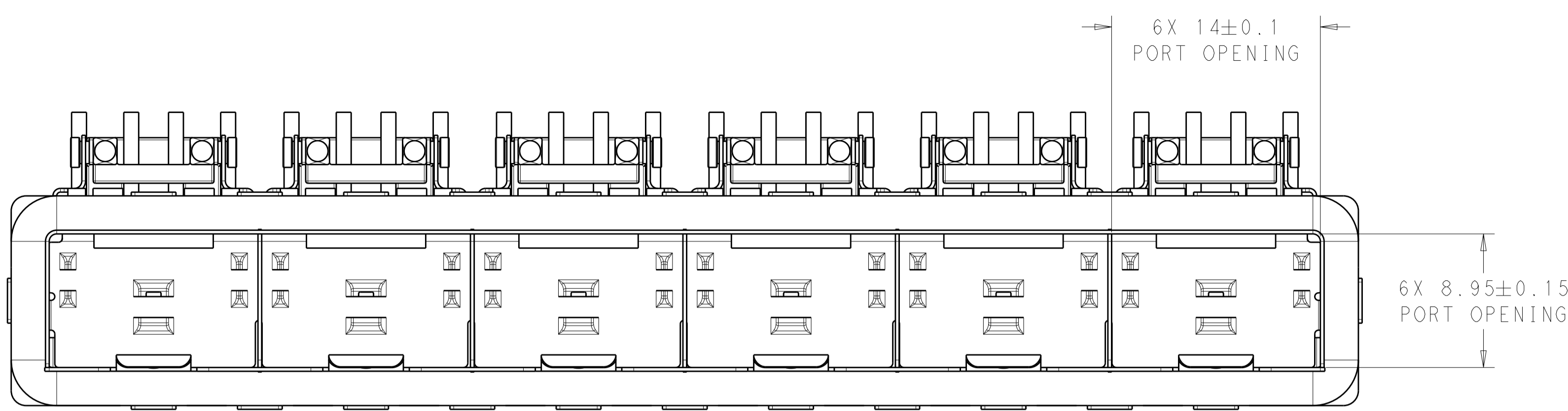
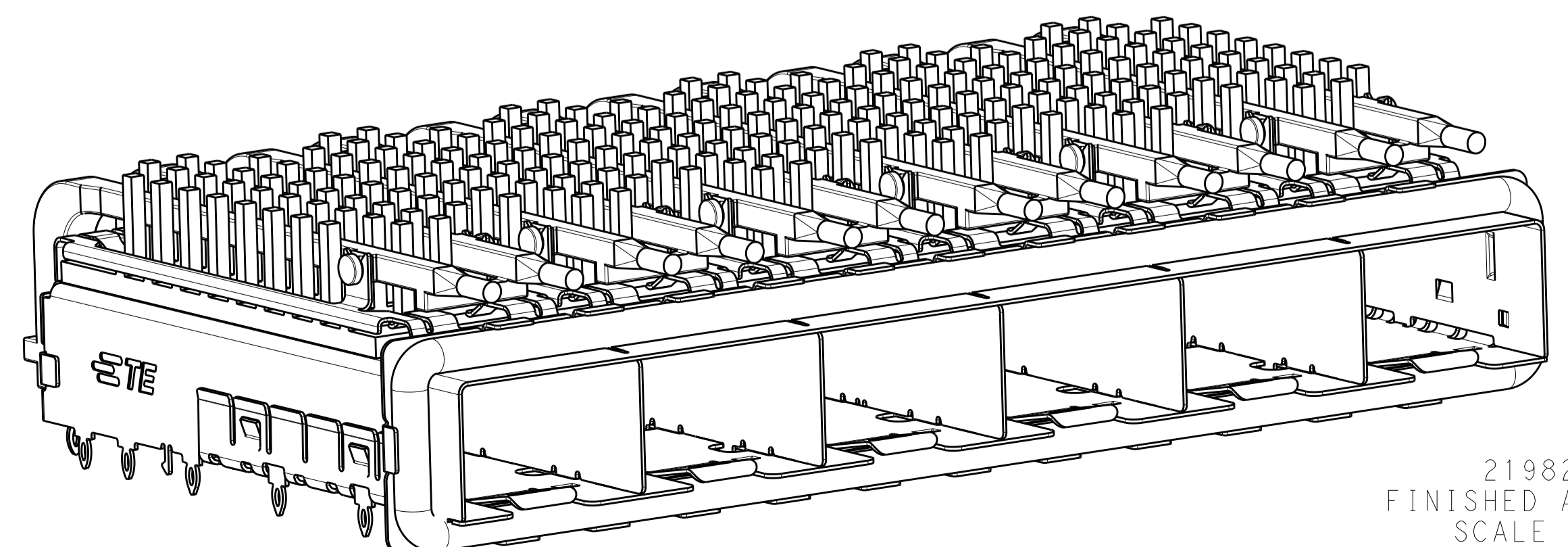


LOC	DIST	REVISIONS					
GP	00	P	LTN	DESCRIPTION	DATE	DWN	APVD
		A		RELEASED PER ECO-12-013192	06SEP2012	BMM	MRS



- 1 MATERIAL:
CAGE ASSEMBLY: NICKEL SILVER ALLOY, 0.25mm THICK.
GASKET RETENTION PLATE: STAINLESS STEEL
EMI GASKET: PLATED FILLED SILICONE
HEATSINK/LIGHTPIPE CLIP: STAINLESS STEEL
HEATSINK: ALUMINUM
LIGHTPIPE: PLYCARBONATE, CLEAR
- 2 FINISH:
HEATSINK: ELECTROLESS NICKEL
HEATSINK/LIGHTPIPE CLIP: PASSIVATE
- 3 PADS AND VIAS CHASSIS GROUND.
- 4 INTERPRETATION OF DATUM REFERENCE FRAME IN ACCORDANCE WITH SECT 4.4.1.1 OF ASME Y14.5M-1994.
- 5 MATES WITH SFP MSA COMPLIANT TRANSCEIVERS.
- 6 HOLE PATTERN REPEATS FOR EACH PORT. SPACING BETWEEN PORTS IS 14.25mm.
- 7 DATUM AND BASIC DIMENSION ESTABLISHED BY CUSTOMER.
- 8 REFERENCE APPLICATION SPEC. 114-13120, HOLE A, FOR RECOMMENDED DRILL HOLE DIAMETER AND PLATING THICKNESS.
- 9 REFERENCE APPLICATION SPEC. 114-13120, HOLE B, FOR RECOMMENDED DRILL HOLE DIAMETER AND PLATING THICKNESS.
- 10 MINIMUM PCB THICKNESS:
SINGLE SIDED = 1.50mm
- 11 CERTAIN MATING TRANSCEIVERS MAY REQUIRE ADDITIONAL PCB THICKNESS THAT WOULD BE DETERMINED BY THE CUSTOMER.
- 12 PRODUCT COMPLIES WITH SPECIFICATION SFF-8433 IMPROVED PLUGGABLE FORM FACTOR FOR SFP+ GANGED CAGES.
- 13 DIMENSION APPLIES PRIOR TO INSERTION OF SFP MODULE.
- 14 HEATSINK, HEATSINK CLIP, AND LIGHTPIPE SHIPPED UNASSEMBLED TO CAGE ASSEMBLY. CAGE ASSEMBLY TO BE PRESSED INTO PCB PRIOR TO ATTACHING HEATSINK, HEATSINK CLIP, AND LIGHTPIPE TO THE CAGE ASSEMBLY.
- 15 PACKAGED AS A COMPLETE ASSEMBLY.

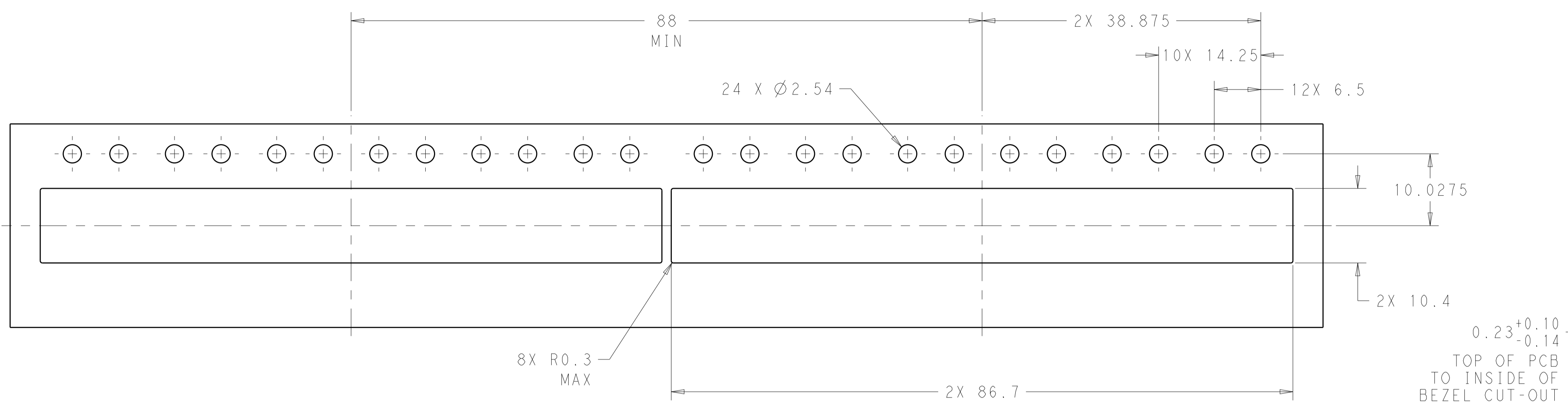


2198229
FINISHED ASSEMBLY
SCALE 3:1

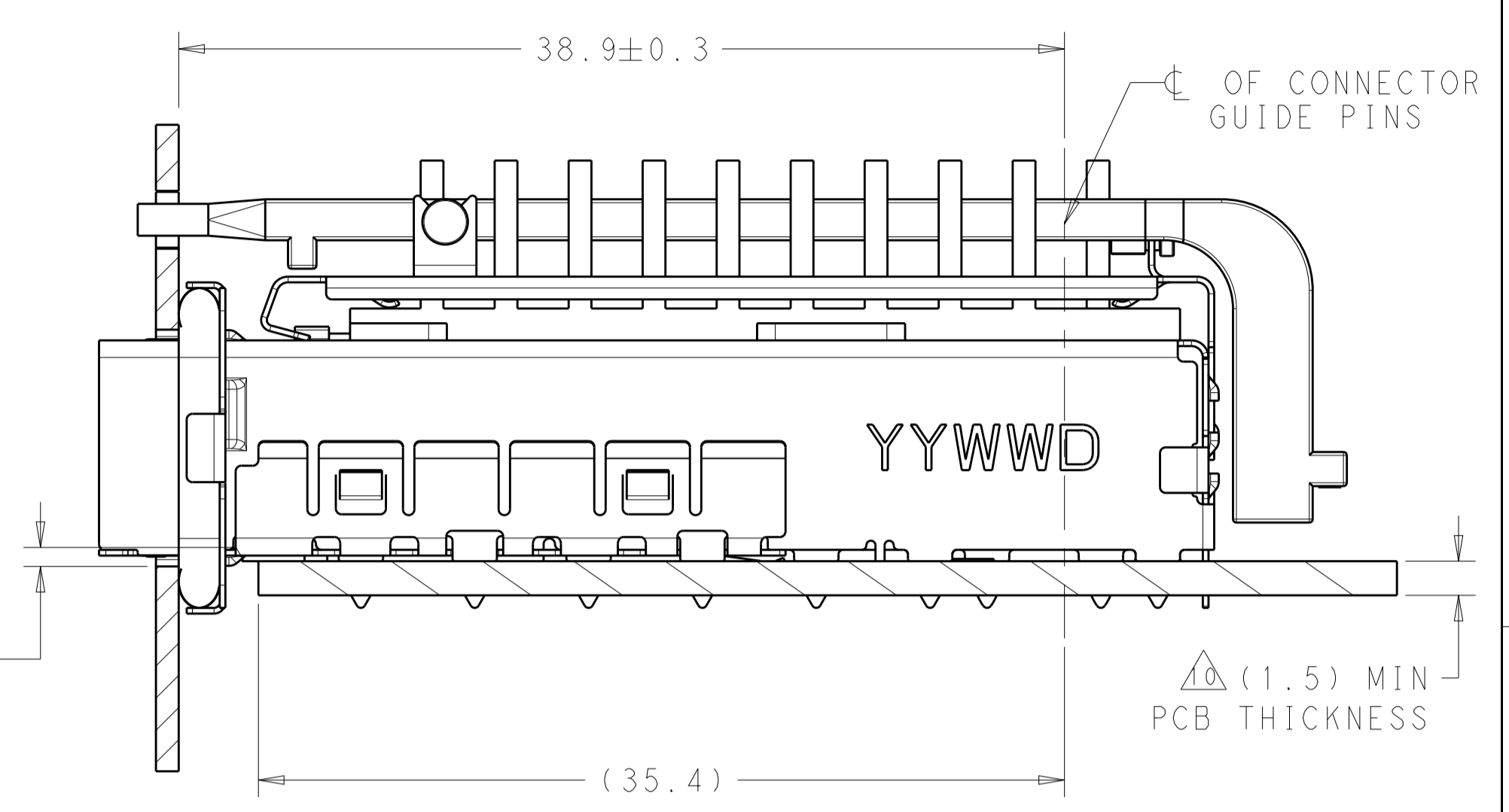
22.5	NETWORKING, TALL	2198229-4
18.1	NETWORKING, SHORT	2198229-3
15.5	SAN	2198229-2
13.2	PCI	2198229-1
A MAX	APPLICATION	PART NUMBER

THIS DRAWING IS A CONTROLLED DOCUMENT.		DWN B. MATTHEWS 26OCT2011	 TE Connectivity
DIMENSIONS:		CHK M. SCHMITT 26OCT2011	
TOLERANCES UNLESS OTHERWISE SPECIFIED:		APVD M. SCHMITT 26OCT2011	
mm		PRODUCT SPEC	
0 PLC	±0.1	108-2364	NAME SFP+ ENHANCED 1X6 CAGE ASSEMBLY, PRESS FIT, EMI GASKET WITH HEATSINK AND LIGHTPIPE
1 PLC	±0.1	APPLICATION SPEC	SIZE CAGE CODE DRAWING NO RESTRICTED TO
2 PLC	±0.1	114-13120	A100779C=2198229
3 PLC	±0.1	WEIGHT	SCALE 4:1 SHEET 1 OF 3 REV A
4 PLC	±0.1	CUSTOMER DRAWING	
ANGLES	±1°		
MATERIAL			
FINISH			

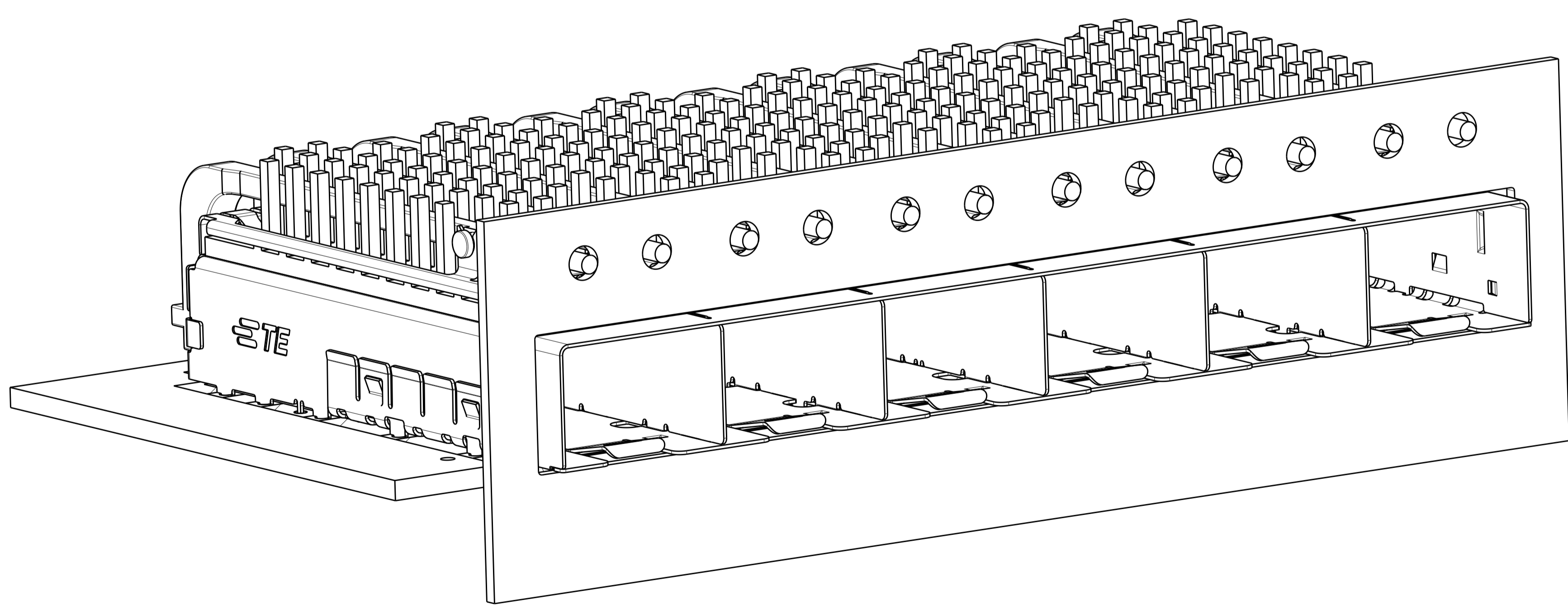
LOC		DIST		REVISIONS			
GP	00	P	LTN	DESCRIPTION	DATE	DNW	APVD
		-		SEE SHEET 1			



RECOMMENDED BEZEL CUT-OUT
 SINGLE SIDED APPLICATIONS
 SCALE 5:2



2198229
 MOUNTED ON PC BOARD
 SHOWN THRU RECOMMENDED BEZEL

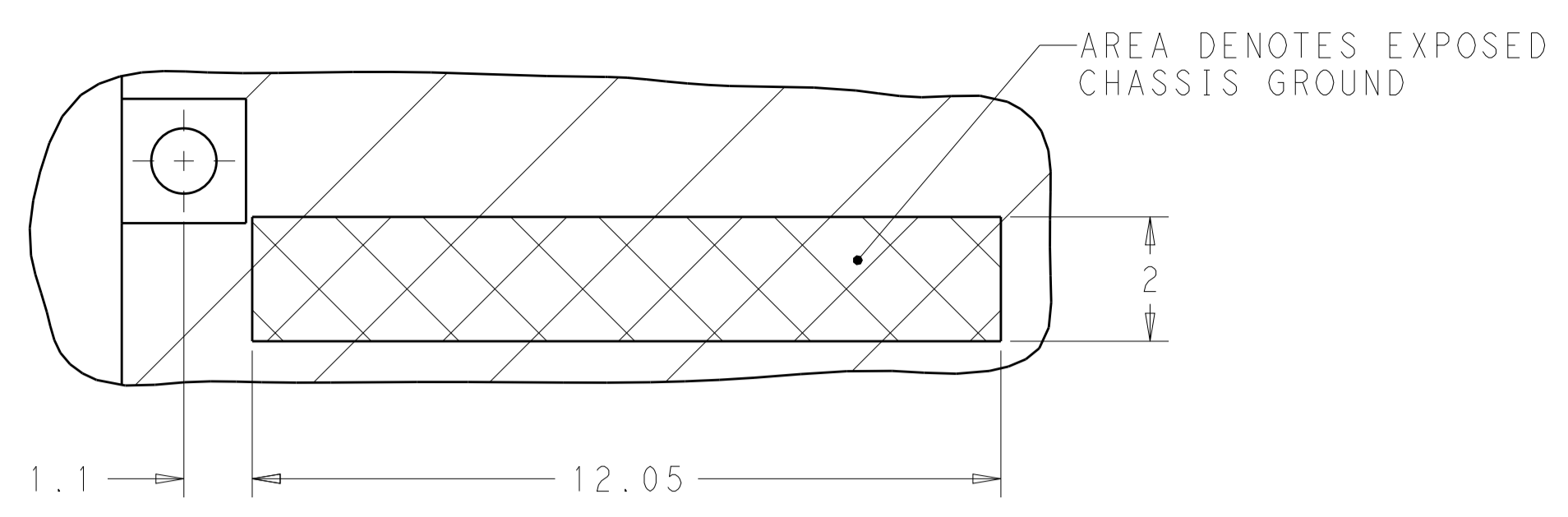


2198229
 MOUNTED ON PCB
 SHOWN THRU RECOMMENDED BEZEL

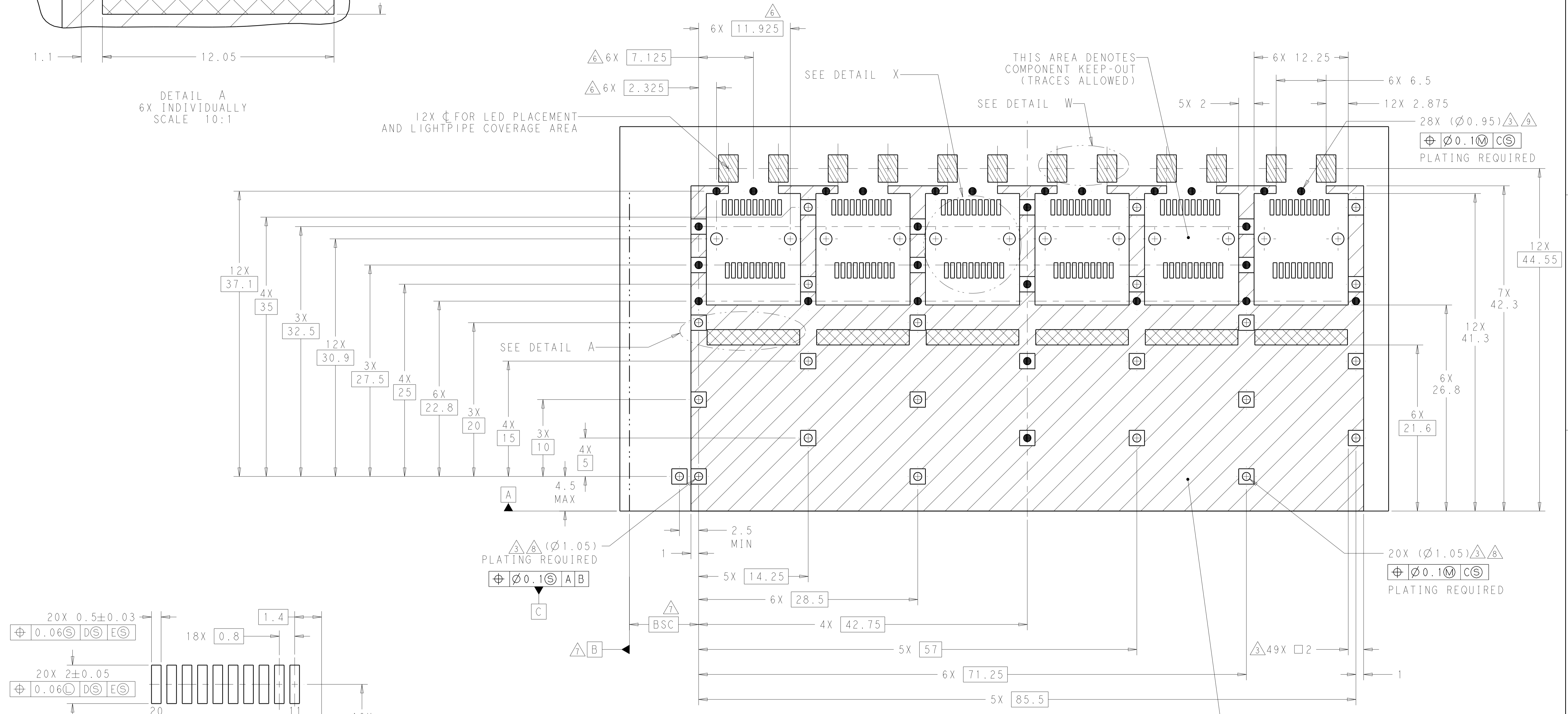
THIS DRAWING IS A CONTROLLED DOCUMENT.		DNW B. MATTHEWS 26OCT2011	TE Connectivity NAME SFP+ ENHANCED 1X6 CAGE ASSEMBLY, PRESS FIT, EMI GASKET WITH HEATSINK AND LIGHTPIPE
DIMENSIONS: mm		CHK M. SCHMITT 26OCT2011	
TOLERANCES UNLESS OTHERWISE SPECIFIED:		APVD M. SCHMITT 26OCT2011	RESTRICTED TO
0 PLC	±0.1	PRODUCT SPEC	
1 PLC	±0.1	108-2364	
2 PLC	±0.1	APPLICATION SPEC	
3 PLC	±0.1	114-13120	
4 PLC	±0.1	WEIGHT	
ANGLES	±1°	FINISH	
MATERIAL		FINISH	
CUSTOMER DRAWING		SCALE 4:1	SHEET 2 OF 3

LOC	DIST	REV	DATE	BY	APPV
GP	00				

REVISIONS			
NO.	DESCRIPTION	DATE	BY
-	SEE SHEET 1	-	-



DETAIL A
6X INDIVIDUALLY
SCALE 10:1



SEE DETAIL X

THIS AREA DENOTES
COMPONENT KEEP-OUT
(TRACES ALLOWED)

SEE DETAIL W

12X Ø FOR LED PLACEMENT
AND LIGHTPIPE COVERAGE AREA

SEE DETAIL A

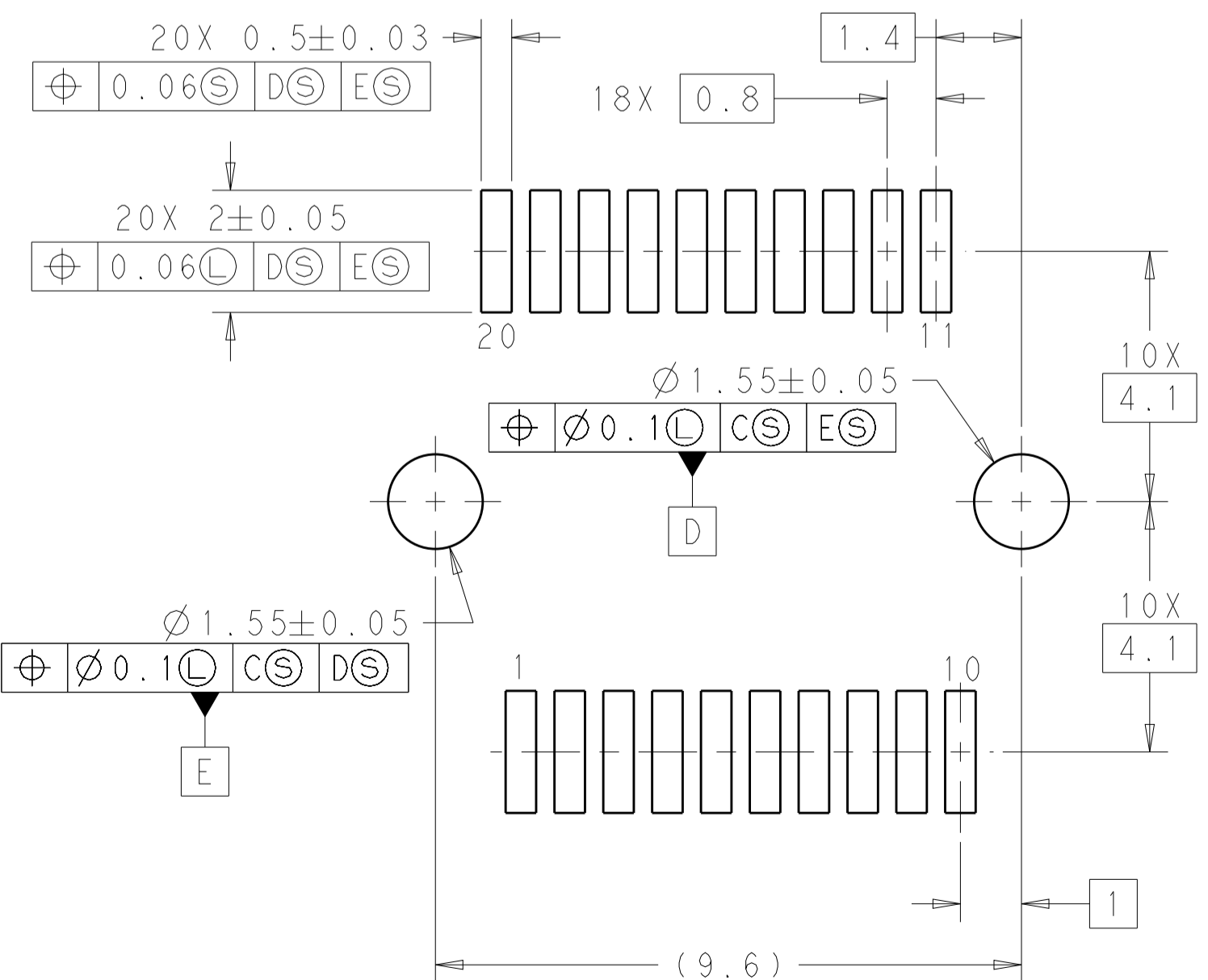
PLATING REQUIRED
Ø0.1 A B

PLATING REQUIRED
Ø0.1 C S

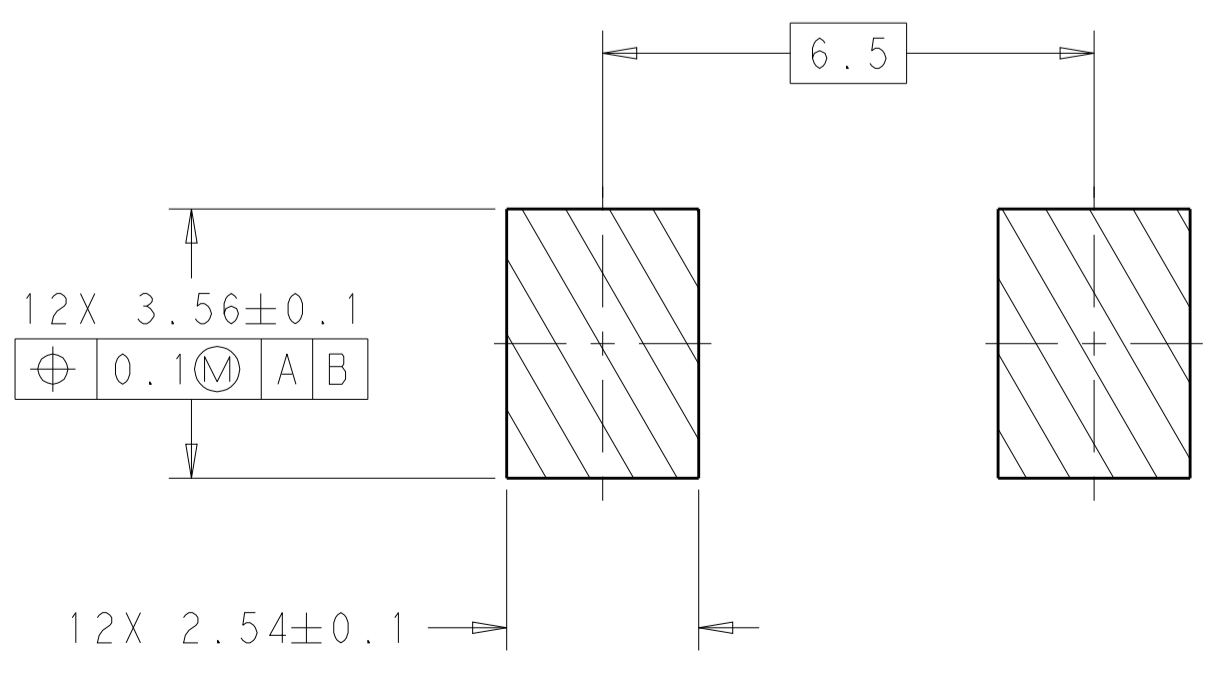
PLATING REQUIRED
Ø0.1 M C S

RECOMMENDED PCB CONFIGURATION
WITH KEEP-OUT AREAS
SINGLE SIDED APPLICATIONS
SCALE 4:1

CROSS-HATCHED AREA
DENOTES COMPONENT
AND TRACE KEEP-OUT
(EXCEPT CHASSIS
GROUND)



DETAIL X
RECOMMENDED PT CONNECTOR LAYOUT
6X INDIVIDUALLY
SCALE 10:1



DETAIL W
SCALE 10:1

THIS DRAWING IS A CONTROLLED DOCUMENT.		OWN: B. MATTHEWS 26OCT2011	TE Connectivity
DIMENSIONS: mm		CHK: M. SCHMITT 26OCT2011	
TOLERANCES UNLESS OTHERWISE SPECIFIED:		APV: M. SCHMITT 26OCT2011	NAME: SFP+ ENHANCED 1X6 CAGE ASSEMBLY, PRESS FIT, EMI GASKET WITH HEATSINK AND LIGHTPIPE PRODUCT SPEC: 108-2364 APPLICATION SPEC: 114-13120 WEIGHT: - CUSTOMER DRAWING
0 PLC ±0.1		REVISIONS	
1 PLC ±0.1		DATE	
2 PLC ±0.1		BY	
3 PLC ±0.1		APPV	SCALE: 4:1
4 PLC ±0.1		REVISIONS	SHEET 3 OF 3
ANGLES ±0.1		REVISIONS	REV A
FINISH: #1*		REVISIONS	

单击下面可查看定价，库存，交付和生命周期等信息

[>>TE Connectivity\(泰科\)](#)